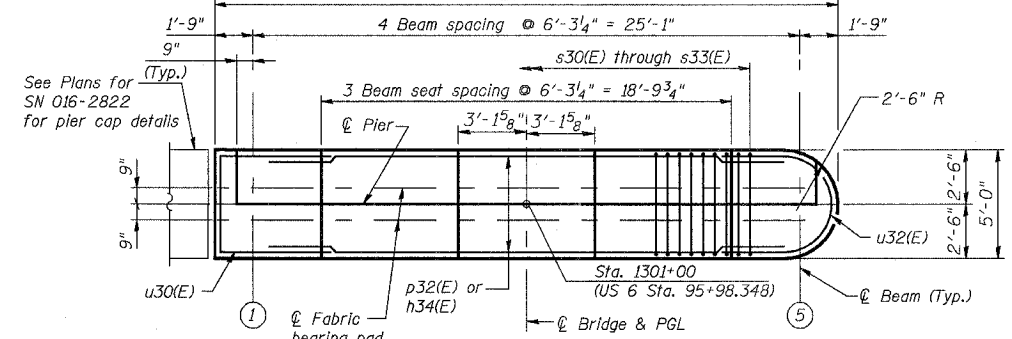


STATE OF ILLINOIS  
DEPARTMENT OF TRANSPORTATION

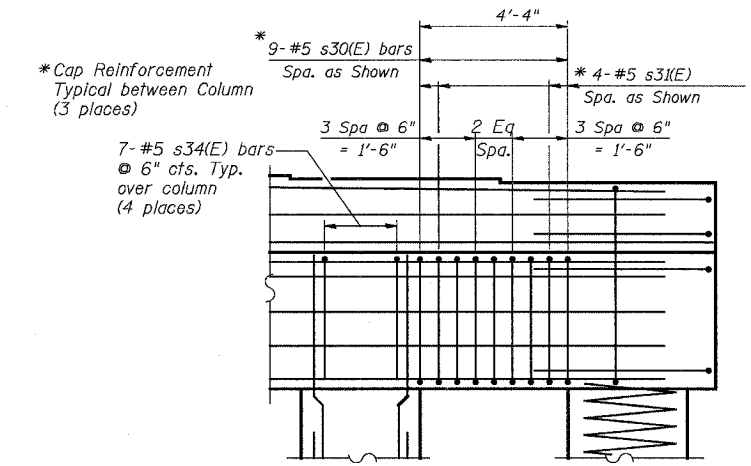
ROUTE NO.	SECTION	COUNTY	TOTAL SHEETS	SHEET NO.
F.A.P. 351	2008-001VB	COOK	579	453
FED. ROAD DIST. NO. 7		ILLINOIS	FED. AID PROJECT-	
CONTRACT NO. 60E10				

SHEET NO. 43  
54 SHEETS



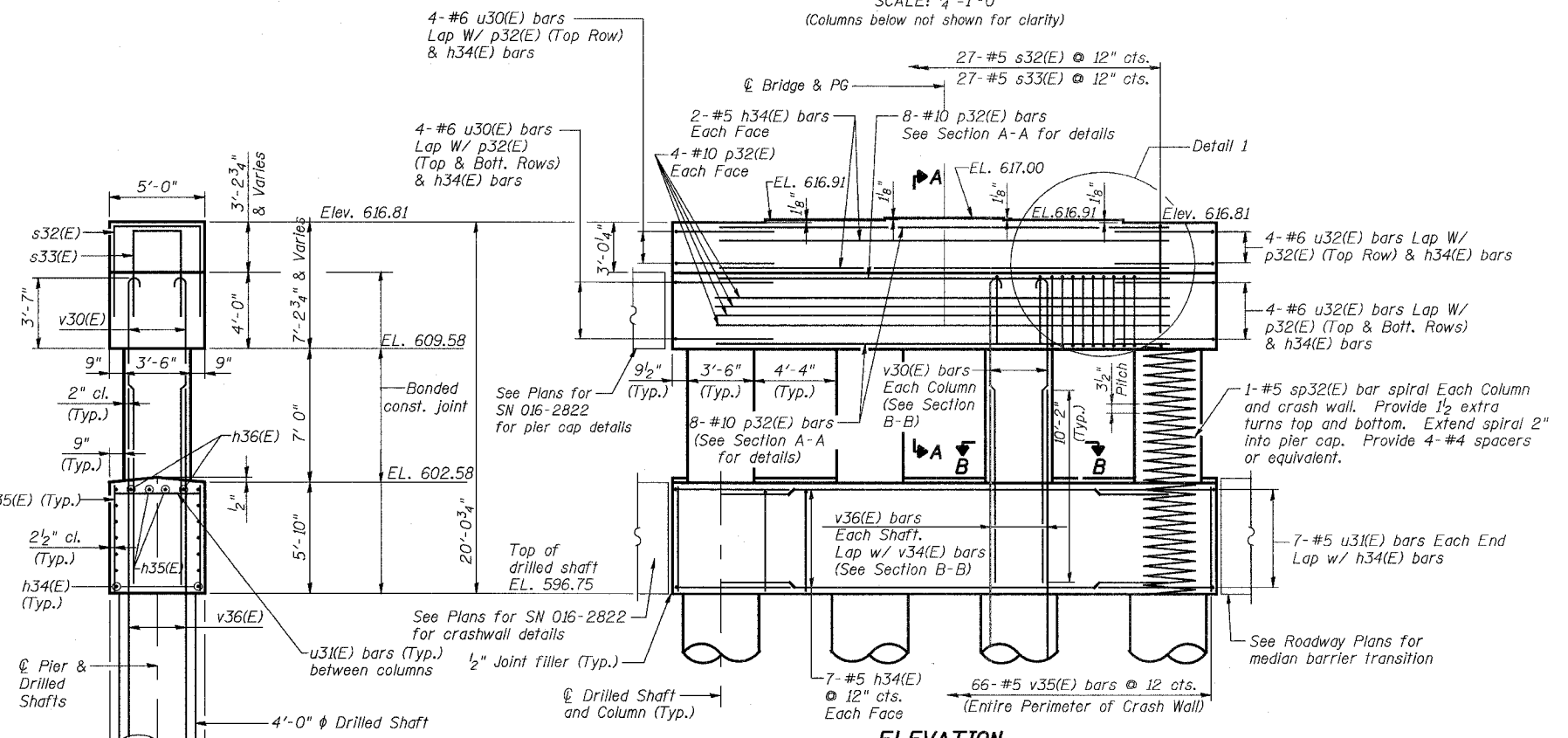
**TOP PLAN**

SCALE: 1/4"=1'-0"  
(Columns below not shown for clarity)



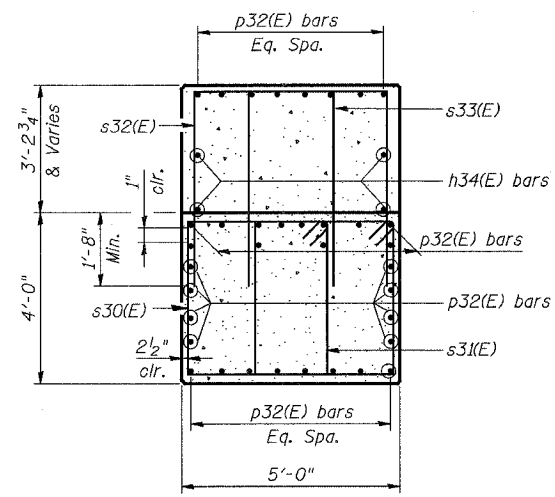
**DETAIL 1**

N.T.S.



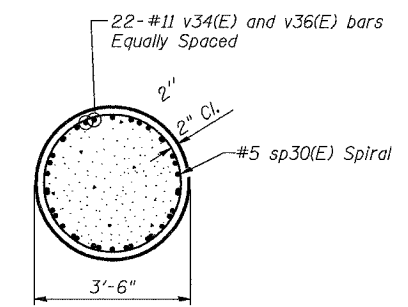
**ELEVATION**

SCALE: 1/4"=1'-0"  
(Looking south)



**SECTION A-A**

N.T.S.



**SECTION B-B**

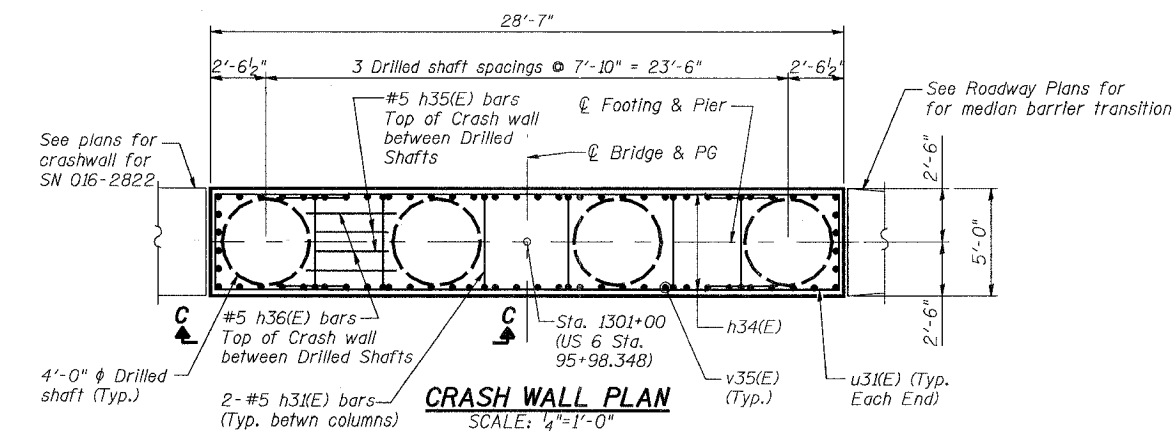
SCALE: 1/2"=1'-0"

Notes:

1. Reinforcement Bars designated (E) shall be epoxy coated.
2. For Bill of Materials, bar bend details, Section C-C and drilled shaft details see Sheet 44.
3. Cast steps monolithically with cap.
4. See Sheet 21 for anchor bolt locations and Sheet 47 for anchor bolt details.

**END VIEW**

SCALE: 1/4"=1'-0"



**CRASH WALL PLAN**

SCALE: 1/4"=1'-0"

3/13/2008 2:52:49 PM G:\17049\069\structures\2820\_w\_hwi\dwg\pref\m01\_plans\43-pier-2821.dwg

DESIGNED	EV
CHECKED	NPP
DRAWN	EV
CHECKED	NPP

**URS**  
100 South Wacker Drive,  
Suite 500  
Chicago, IL 60606  
(312) 939-1000

REVISIONS	
NAME	DATE

ILLINOIS DEPARTMENT OF TRANSPORTATION  
US RTE 6 FROM I-294 TO IL RTE 1  
**PIER SN 016-2821**

STRUCTURES FOR CN INTERMODAL  
YARD VEHICLES OVER U.S. RTE. 6 (159TH STREET)  
STATION 95+02.14 STRUCTURE NOS. 016-2820  
& 016-2821  
SCALE: AS NOTED DATE: 2/21/2008