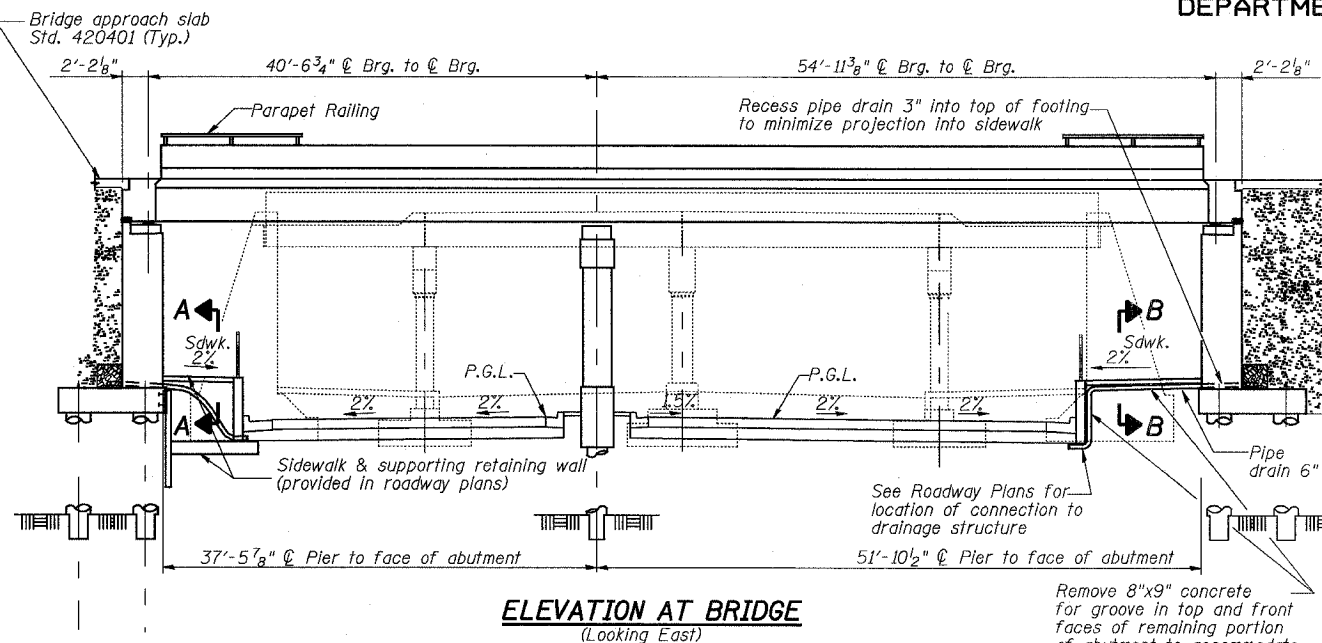


STATE OF ILLINOIS
DEPARTMENT OF TRANSPORTATION

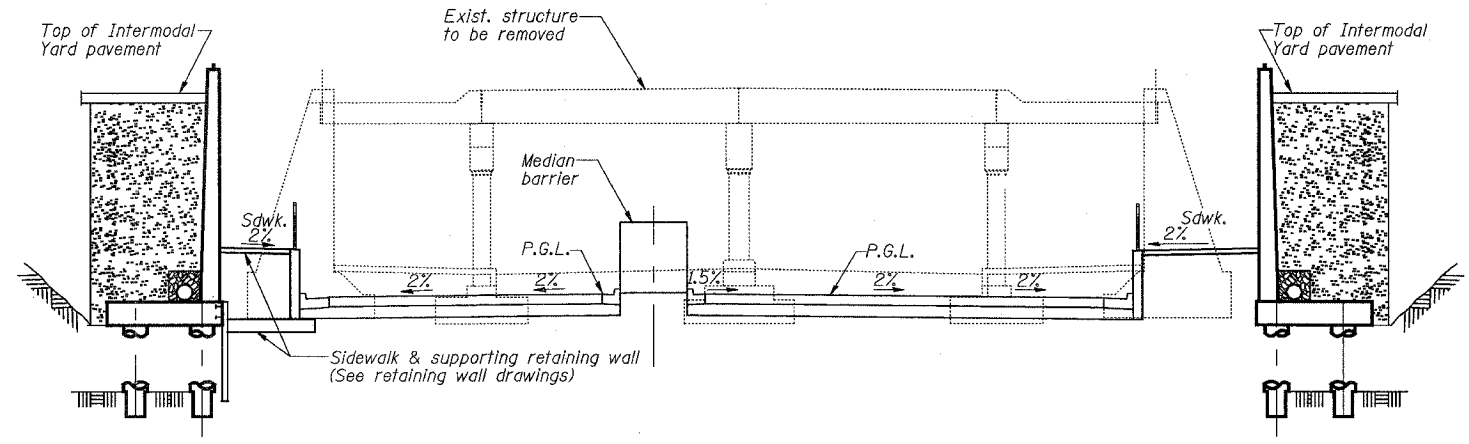
ROUTE NO.	SECTION	COUNTY	TOTAL SHEETS	SHEET NO.
F.A.P. 351	2008-001VB	COOK	579	455
FED. ROAD DIST. NO. 7		ILLINOIS	FED. AID PROJECT	

CONTRACT NO. 60E10

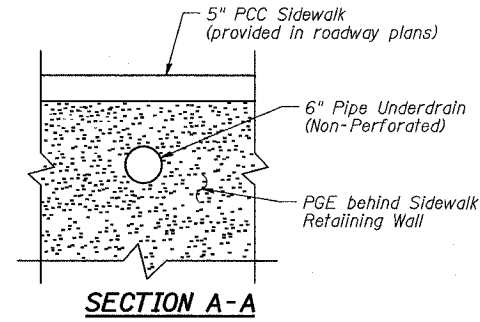
SHEET NO. 45
54 SHEETS



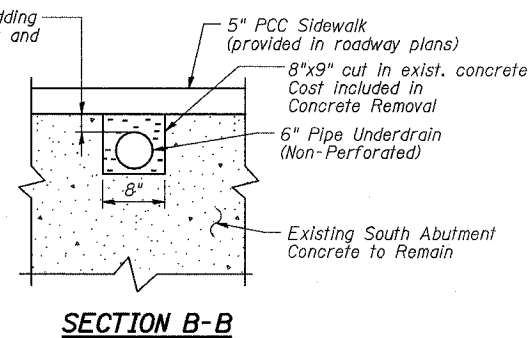
ELEVATION AT BRIDGE
(Looking East)



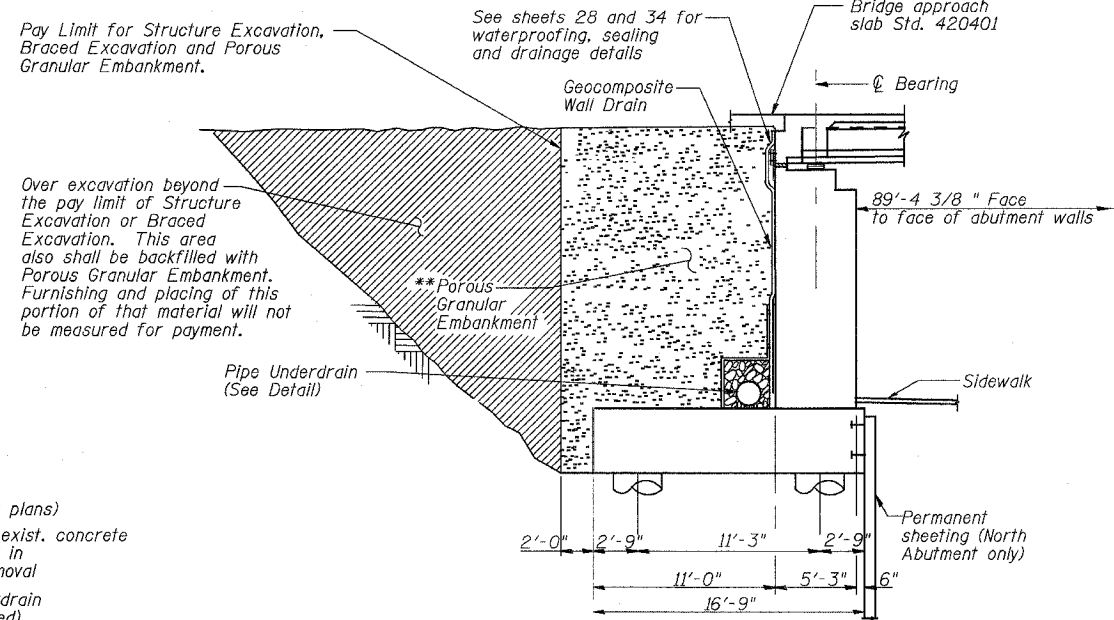
ELEVATION AT RETAINING WALLS
(Looking east)



SECTION A-A



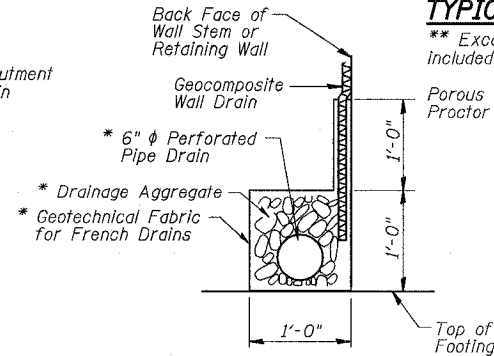
SECTION B-B



TYPICAL SECTION THROUGH ABUTMENTS

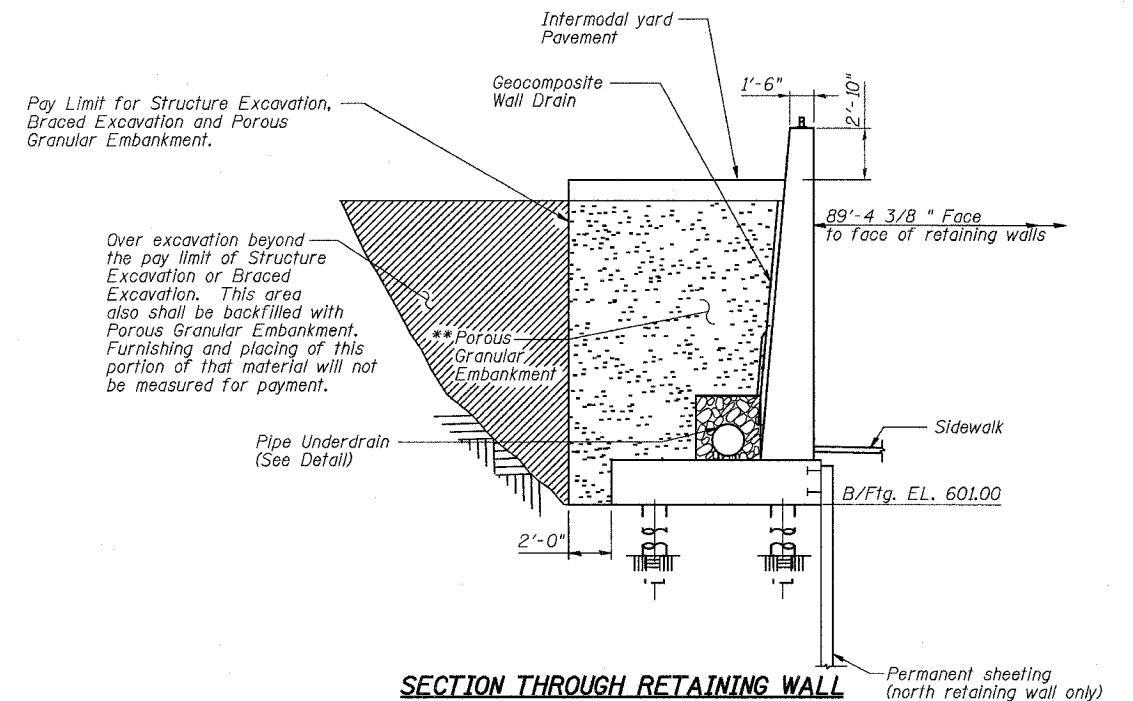
** Excavation for placing Porous Granular Embankment is included in cost of Braced Excavation & Structure Excavation

Porous Granular Embankment shall be compacted to 95% Modified Proctor Density and its coarse aggregate gradation shall be CA 1B.



PIPE UNDERDRAIN DETAIL

* Included in cost of Pipe Underdrain For Structures 6"



SECTION THROUGH RETAINING WALL

** Excavation for placing Porous Granular Embankment is included in cost of Braced Excavation & Structure Excavation

Porous Granular Embankment shall be compacted to 95% Modified Proctor Density and its coarse aggregate gradation shall be CA 1B.

- Notes:
- See Sheet 24 of U.S. 6 Mainline Retaining Walls Along 159th Street plans for Pipe Underdrain Layout and Quantities.
 - See Bill of Materials on sheets 25, 26, 31, and 32 for Quantities of Porous Granular Embankment.
 - Non-perforated drain pipe from back face of abutment to the outfalling drainage structure including connection will be paid for as Pipe Underdrain for Structures 6".
 - See retaining wall drawings for details of drainage behind the sidewalk supporting retaining walls.

URS
100 South Wacker Drive,
Suite 500
Chicago, IL 60606
(312) 939-1000

REVISIONS		ILLINOIS DEPARTMENT OF TRANSPORTATION US RTE 6 FROM I-294 TO IL RTE 1 DRAINAGE AND BACKFILL DETAILS - RETAINING WALLS STRUCTURES FOR CN INTERMODAL YARD VEHICLES OVER U.S. RTE. 6 (159TH STREET) STATION 95+02.14 STRUCTURE NOS. 016-2820 SCALE: N.T.S. DATE: 8/21/2008
NAME	DATE	

3/13/2008 3:05:44 PM g:\17045\structures\2820.w.hwl\dwg\pref\01.plans\45-drainage-retainingwalls.dwg

DESIGNED	EV
CHECKED	NPP
DRAWN	EV
CHECKED	NPP