

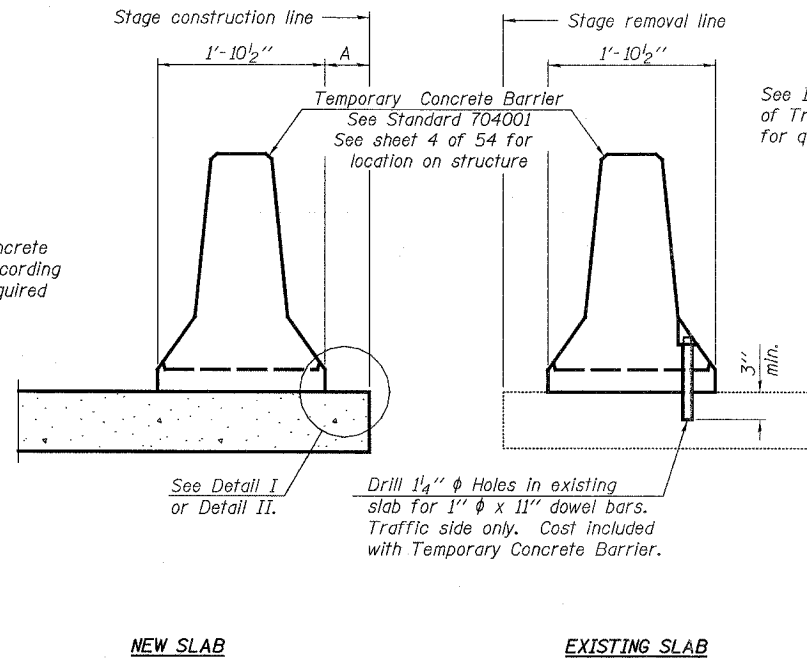
STATE OF ILLINOIS
DEPARTMENT OF TRANSPORTATION

ROUTE NO.	SECTION	COUNTY	TOTAL SHEETS	SHEET NO.
F.A.P. 351	2008-001VB	COOK	579	459
FED. ROAD DIST. NO. 7		ILLINOIS	FED. AID PROJECT-	

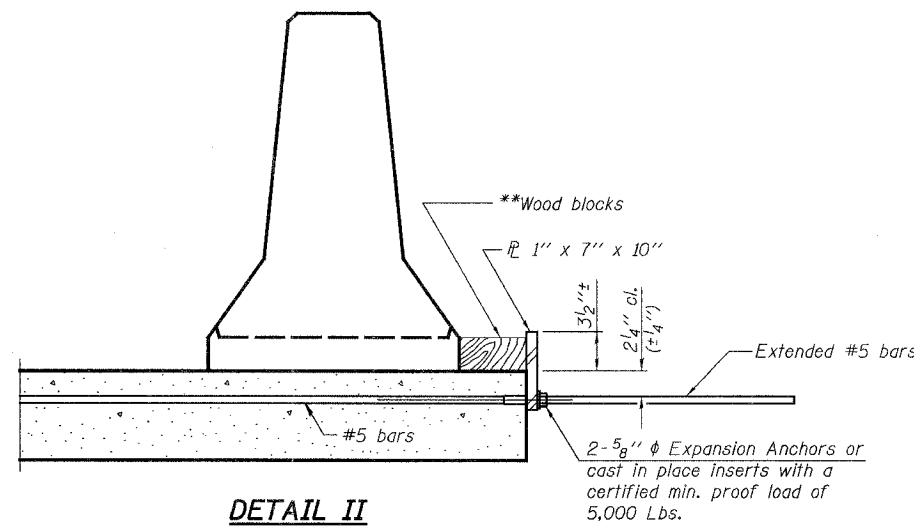
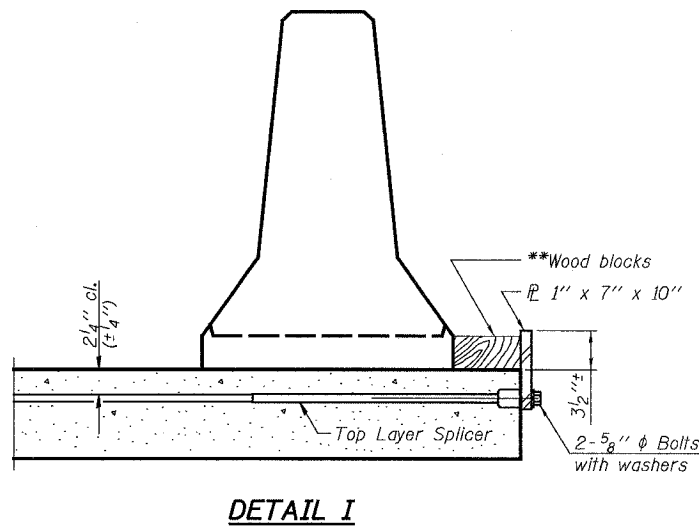
CONTRACT NO. 60E10

SHEET NO. 49
54 SHEETS

When "A" is 3'-6" or less, the temporary concrete barrier shall be anchored to the new slab according to Detail I or Detail II. No anchorage is required when "A" is greater than 3'-6".



SECTIONS THRU SLAB



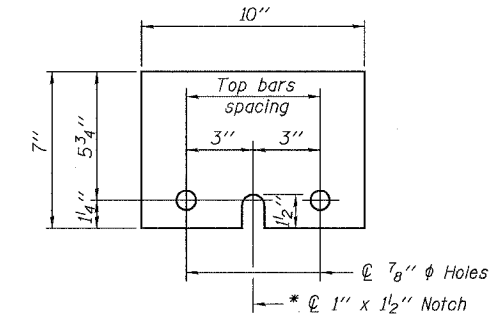
** Wood blocks may be omitted when required to provide minimum stage traffic lane width. When the wood blocks are omitted, the concrete barrier shall be in direct contact with the steel retainer plate.

NOTES

Detail I - With Bar Splicer or Couplers:
Connect one (1) 1"x7"x10" steel \bar{P} to the top layer of couplers with 2-5/8" ϕ bolts screwed to coupler at approximate \bar{C} of each barrier panel.

Detail II - With Extended Reinforcement Bars:
Connect one (1) 1"x7"x10" steel \bar{P} to the concrete slab with 2-5/8" ϕ Expansion Anchors or cast in place inserts spaced between the top layer of reinforcement at approximate \bar{C} of each barrier panel.

Cost of anchorage is included with Temporary Concrete Barrier. The 1" x 7" x 10" plate shall not be removed until stage II construction forms and all reinforcement bars are in place and the concrete is ready to be placed.



STEEL RETAINER \bar{P} 1" x 7" x 10"
* Required only with Detail II

at:\17049_0659\structures\2820_w_hwu\dwg\ref\final_plans\49-temporary_traffic_barrier.dwg 3/13/2008 3:08:46 PM

DESIGNED	EV
CHECKED	NPP
DRAWN	EV
CHECKED	NPP

R-27

11-1-06

URS
100 South Wacker Drive,
Suite 500
Chicago, IL 60606
(312) 939-1000

REVISIONS	
NAME	DATE

ILLINOIS DEPARTMENT OF TRANSPORTATION
US RTE 6 FROM I-294 TO IL RTE 1
TEMPORARY CONCRETE BARRIER
FOR STAGE CONSTRUCTION
STRUCTURES FOR CN INTERMODAL
YARD VEHICLES OVER U.S. RTE. 6 (159TH STREET)
STATION 95+02.14 STRUCTURE NOS. 016-2820
& 016-2821
SCALE: DATE: 2/21/2008