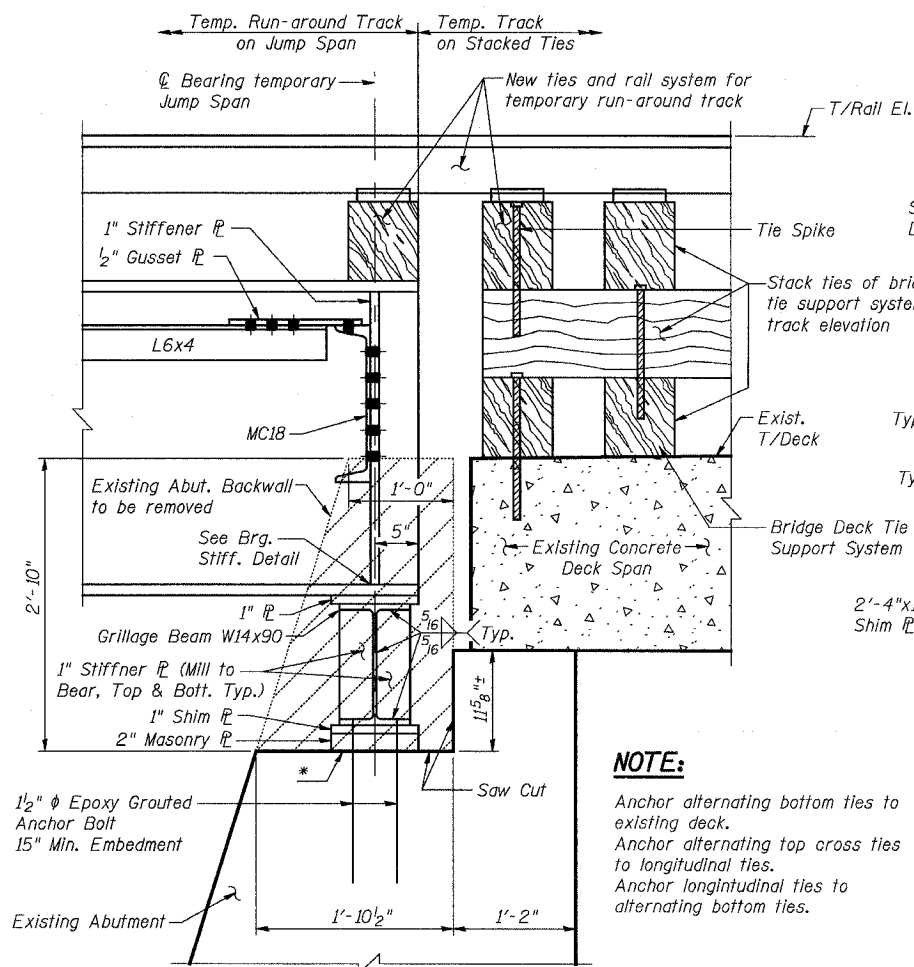


STATE OF ILLINOIS
DEPARTMENT OF TRANSPORTATION

ROUTE NO.	SECTION	COUNTY	TOTAL SHEETS	SHEET NO.
F.A.P. 351	2008-001VB	COOK	579	468
FED. ROAD DIST. NO. 7	ILLINOIS	FED. AID PROJECT-	CONTRACT NO. 60E10	

SHEET NO. 4
26 SHEETS



NOTE:

Anchor alternating bottom ties to existing deck.
Anchor alternating top cross ties to longitudinal ties.
Anchor longitudinal ties to alternating bottom ties.

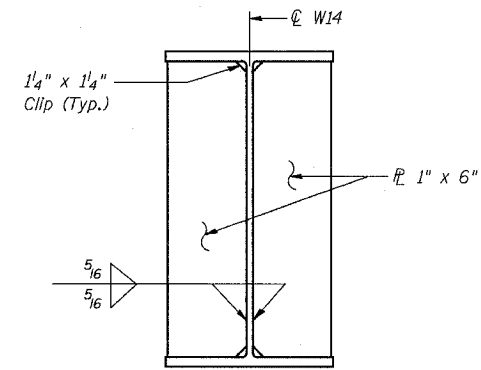
LEGEND:



Concrete Removal

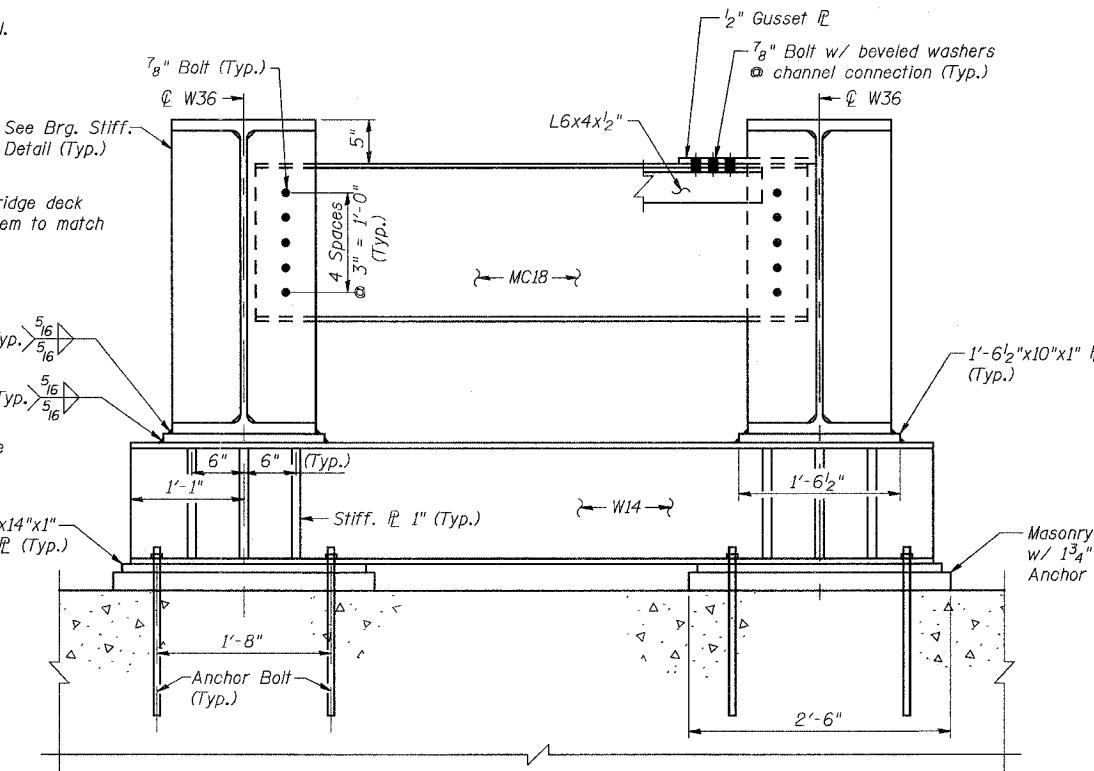
DETAIL 1 SECTION C-C

* Contractor to undercut 1/4" and provide a Grout leveling Pad.

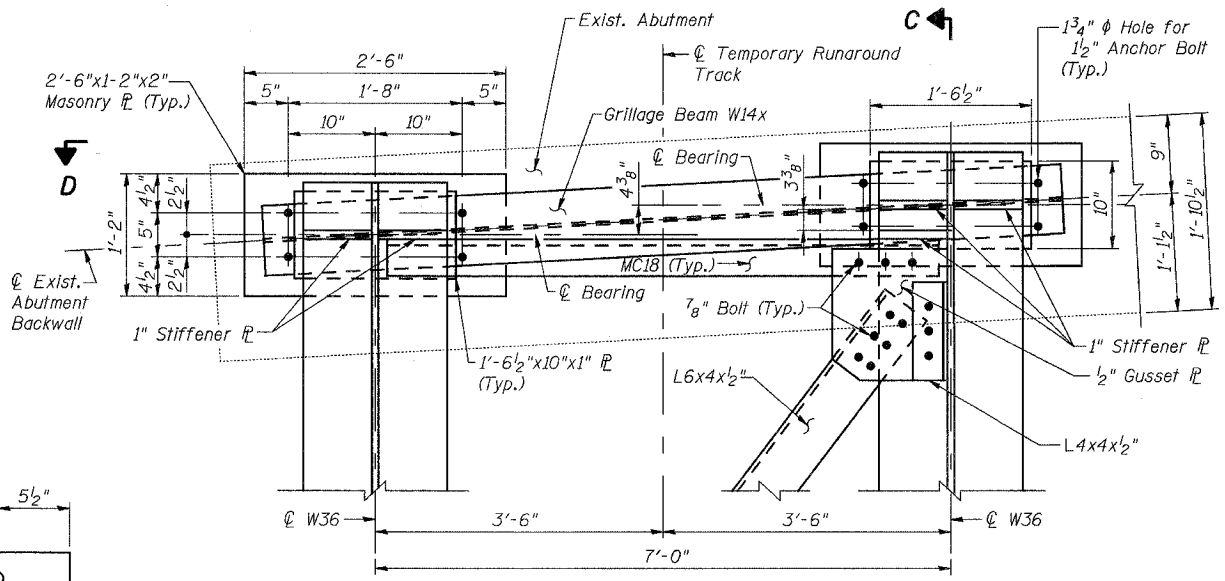


BEARING STIFFENER DETAIL

(At W14)



SECTION D-D

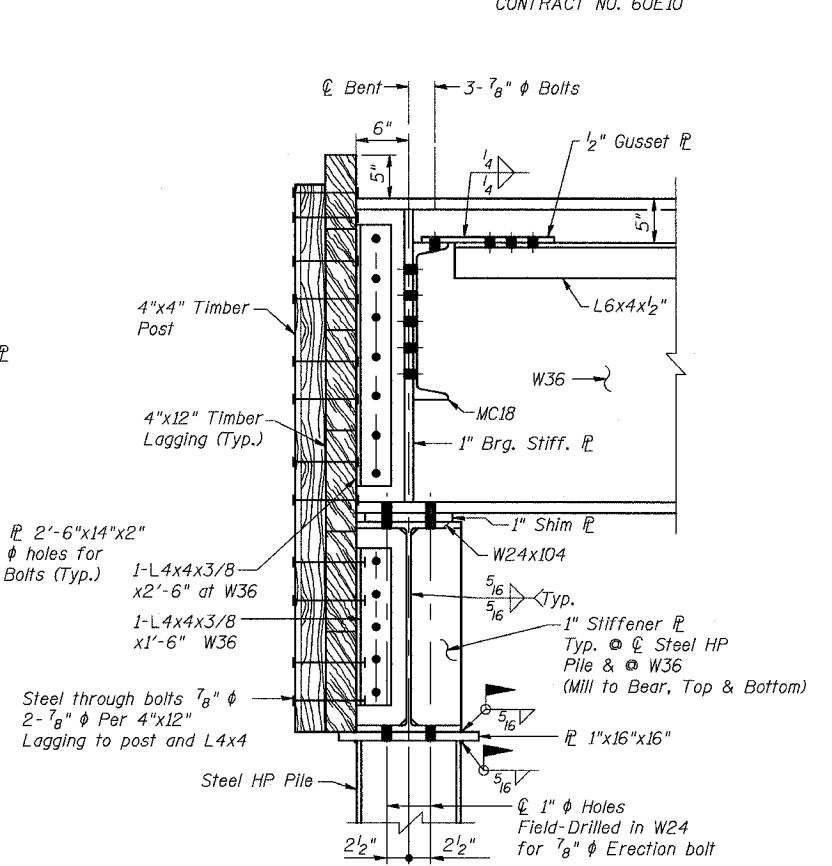


DETAIL 6

DETAIL 5

NOTES:

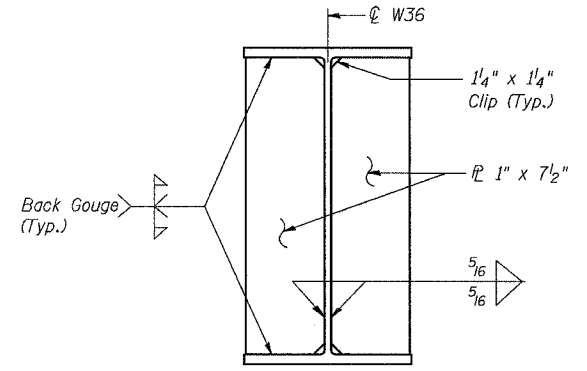
- For Sections E-E, F-F and Details 5 & 6, See Sheet 3.
- For Detail 1 location, see Sheet 3.



SECTION E-E

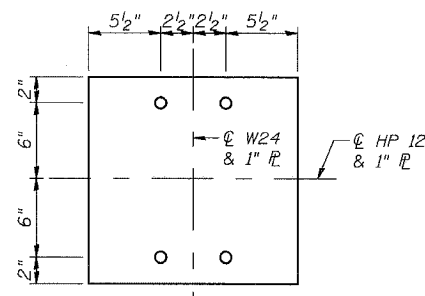
SECTION F-F SIMILAR AND OPP. HAND

(Section E-E - Omit Cross Bracing and Gusset PL)



BEARING STIFFENER DETAIL

(At W36)



PILE CAP PLATE DETAIL

REVISIONS	
NAME	DATE

ILLINOIS DEPARTMENT OF TRANSPORTATION
US RTE 6 FROM I-294 TO IL RTE 1
TEMP. JUMP SPAN DETAILS
CN THOROUGHFARE TRACK
BRIDGE 20.6E OVER U.S. RTE. 6 (159TH STREET)
STRUCTURE NO. 016-2822
SCALE: N.T.S. DATE: 2/21/2008

URS
100 South Wacker Drive,
Suite 500
Chicago, IL 60606
(312) 939-1000

3/13/2008 1:26:44 PM c:\17049_069\structures\2822_s_rr_dwg\04_jump_span_details.dwg

DESIGNED	MDS
CHECKED	JPB
DRAWN	MDS
CHECKED	JPB