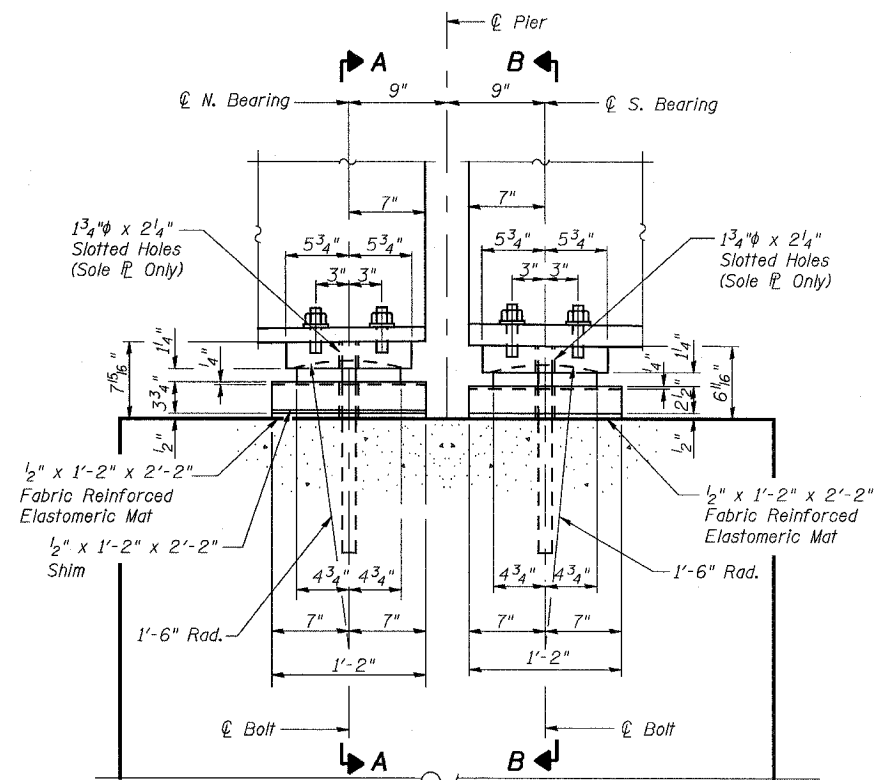


STATE OF ILLINOIS
DEPARTMENT OF TRANSPORTATION

ROUTE NO.	SECTION	COUNTY	TOTAL SHEETS	SHEET NO.
F.A.P. 351	2008-001VB	COOK	579	475
FED. ROAD DIST. NO. 7		ILLINOIS	FED. AID PROJECT-	

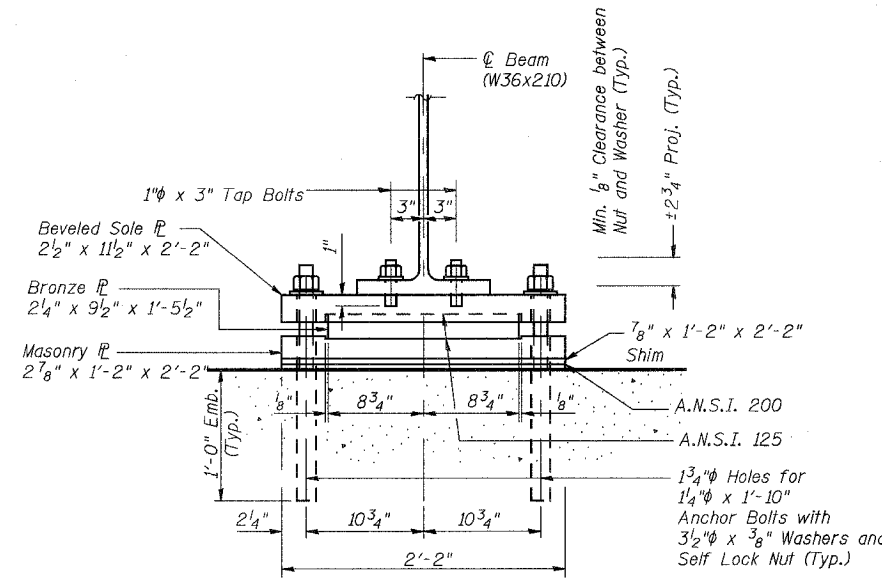
SHEET NO. 11
26 SHEETS

CONTRACT NO. 60E10

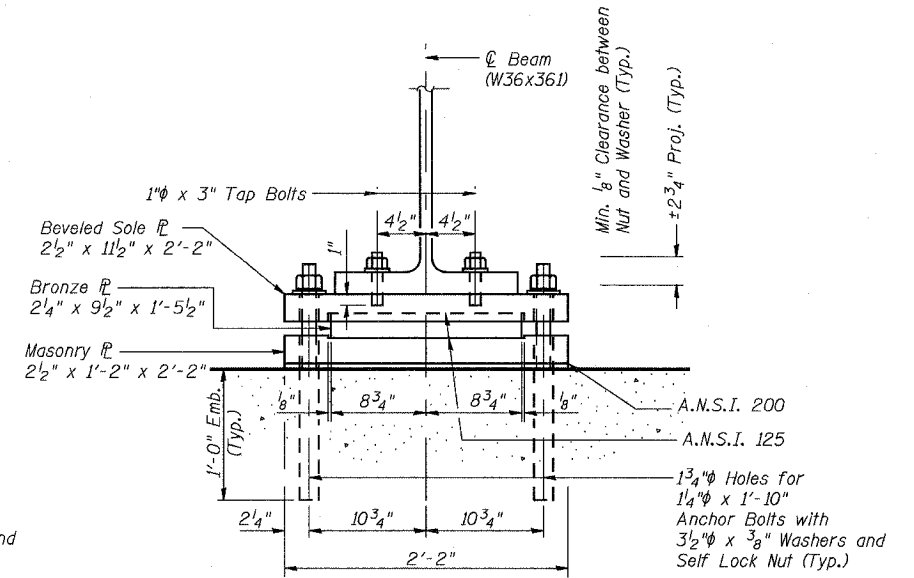


ELEVATION AT PIER - EXPANSION BEARINGS

(N. Bearing - 17 Required)
(S. Bearing - 17 Required)



SECTION A-A



SECTION B-B

Notes:

All material for Sole Plates and Masonry Plates shall conform to A.S.T.M. specification A36 Steel.

Bronze Bearing and Expansion Plates shall conform to A.S.T.M. B22, Alloy C91300 or C91100. Solid lubricant shall be in accordance with A.R.E.M.A. Chapter 15, Section 10.4.2.3. Cost included in Furnishing and Erecting Structural Steel.

All Structural Steel Bearing Plates shall be Flat Rolled Steel Plates with all surfaces smooth and free from warp and all edges smooth, straight and vertical.

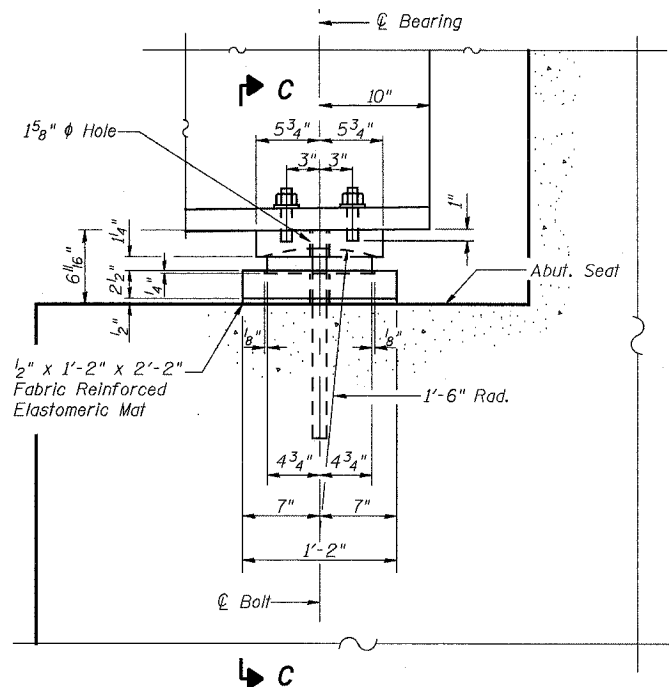
All Plate cuts shall be Machine or Machine Flame Cuts.

Anchor Bolts shall be high-strength carbon steel conforming to the requirements of ASTM F1554, Grade 105 and zinc plated (ASTM B633). Nuts shall meet the requirements of ASTM A563, Grade DH and washers shall meet the requirements of ASTM F436.

See Section 1028 for material requirements of Fabric Reinforced Elastomeric Pad. Cost of pad included in Concrete Structures.

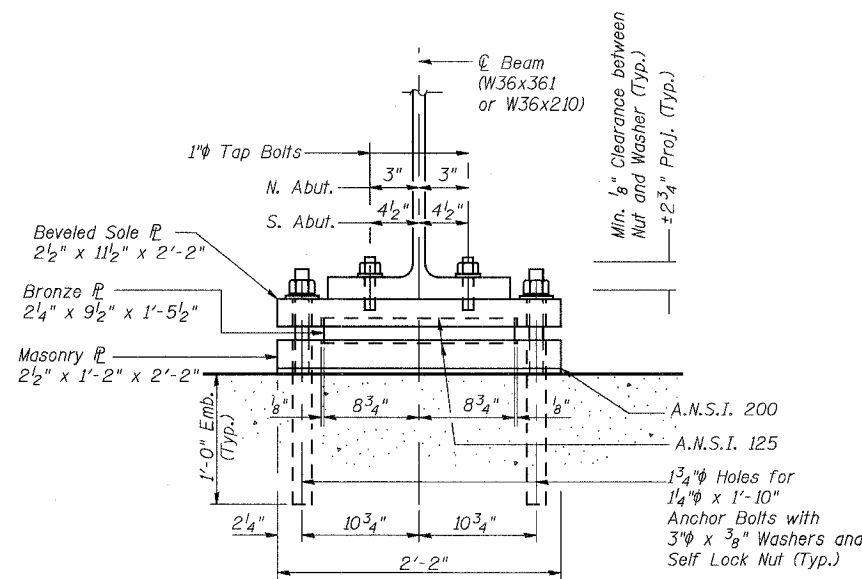
Holes in the masonry for anchor bolts shall be drilled through the base plates to the diameter and depth shown or according to the manufacturer's recommendation after beams or girders have been erected and adjusted.

Prior to setting the bolts, the holes shall be dry and all dust and loose particles shall be removed by the use of compressed air or vacuuming. Anchors shall not be disturbed until cure time has elapsed.

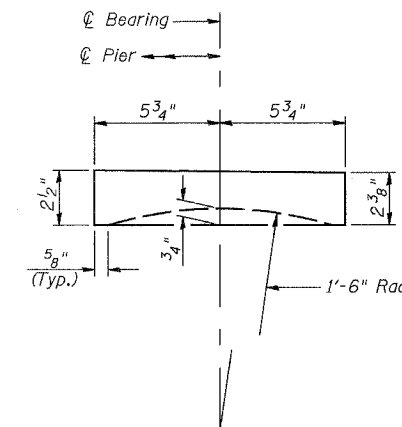


ELEVATION AT ABUTMENT - FIXED BEARINGS

(17 - Required N. Abutment)
(17 - Required S. Abutment)



SECTION C-C



BEVELED SOLE PLATE

BILL OF MATERIAL

ITEM	UNIT	TOTAL
Anchor Bolts, 1 1/4"	Each	136

REVISIONS	
NAME	DATE

ILLINOIS DEPARTMENT OF TRANSPORTATION
US RTE 6 FROM I-294 TO IL RTE 1

BEARING DETAILS

CN THOROUGHFARE TRACK
BRIDGE 20.6E OVER U.S. RTE. 6 (159TH STREET)
STRUCTURE NO. 016-2822
SCALE: N.T.S. DATE: 2/21/2008

URS
100 South Wacker Drive,
Suite 500
Chicago, IL 60606
(312) 939-1000

3/13/2008 1:26:47 PM

G:\17049_069\structures\2822_e_rr\dwg\11_bearing.dwg

DESIGNED MDS
CHECKED JPB
DRAWN MDS
CHECKED JPB