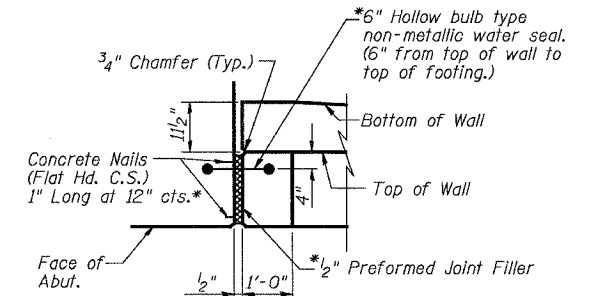
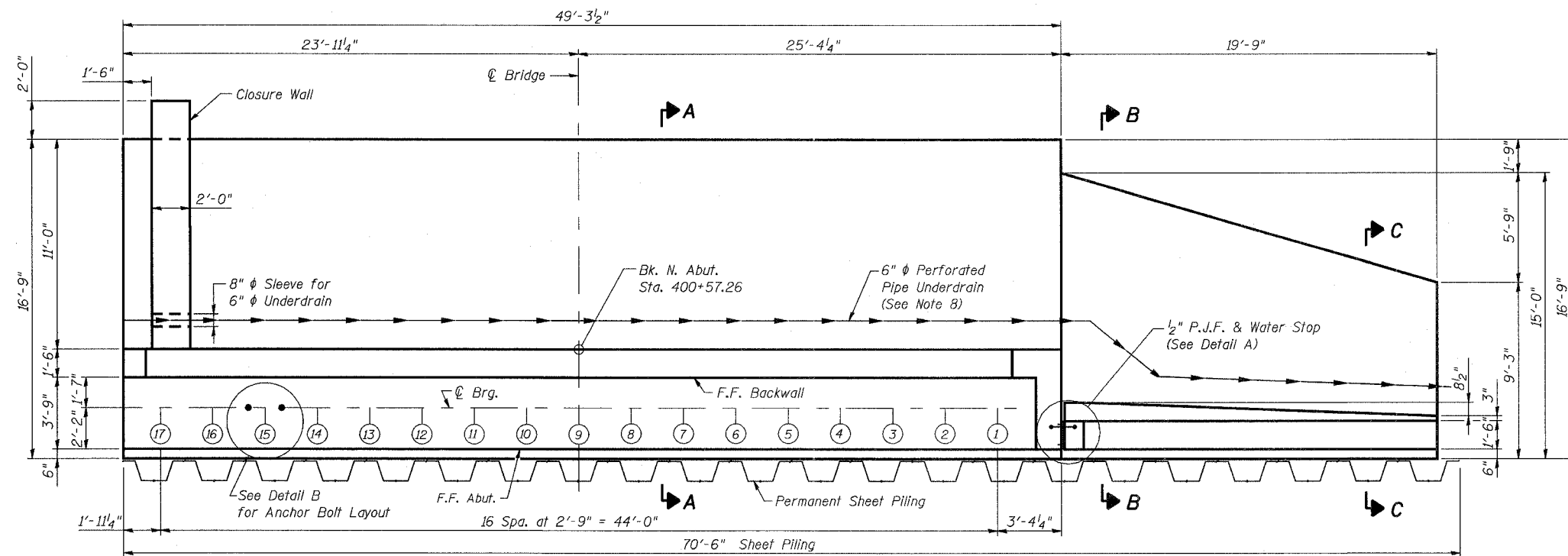


STATE OF ILLINOIS  
DEPARTMENT OF TRANSPORTATION

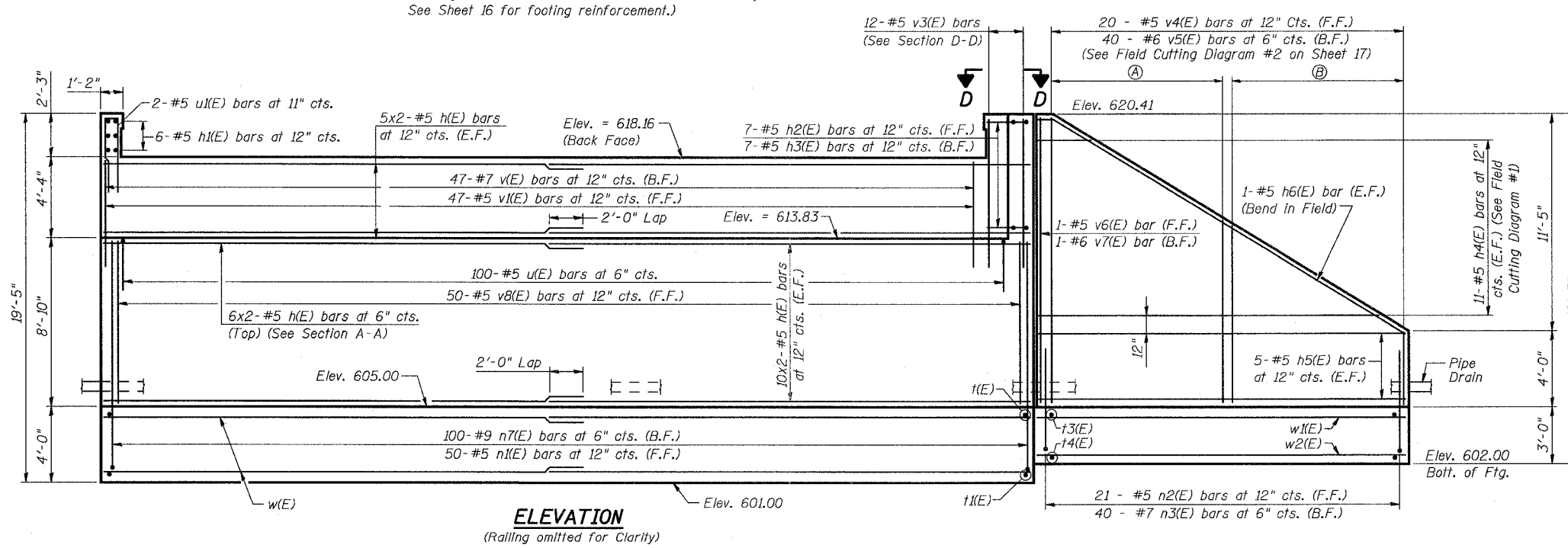
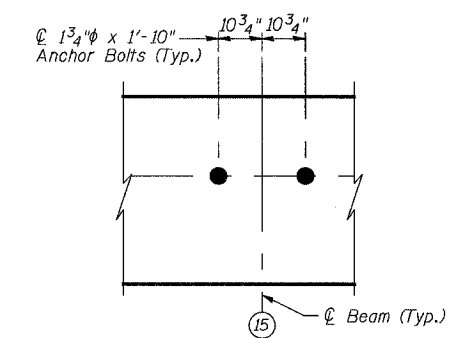
ROUTE NO.	SECTION	COUNTY	TOTAL SHEETS	SHEET NO.
F.A.P. 351	2008-001VB	COOK	579	477
FED. ROAD DIST. NO. 7		ILLINOIS	FED. AID PROJECT-	

CONTRACT NO. 60E10

SHEET NO. 13  
26 SHEETS



\*Cost included with Concrete Structures.



- NOTES:
1. Reinforcement bars designated (E) shall be epoxy coated.
  2. Work this sheet with Sheets 14 through 17.
  3. See Sheet 14 for Sections.
  4. Space reinforcement in seat to miss anchor bolts.
  5. See Sheet 17 for Bill of Materials.
  6. Cost of pipe sleeves is included with Concrete Structures.
  7. See Sheet 14 for Permanent Sheet Piling Detail.
  8. See Sheet 24 of U.S. 6 Mainline Retaining Walls Along 159th Street plans for Pipe Underdrain Layout and Quantities. For Details See Sheet 14.
  9. For Detail Railing on Wingwall See Sheet 08.

LEGEND  
F.F. - Front Face  
B.F. - Back Face  
E.F. - Each Face

DESIGNED	MDS
CHECKED	JPB
DRAWN	MDS
CHECKED	JPB

**URS**  
100 South Wacker Drive,  
Suite 500  
Chicago, IL 60606  
(312) 939-1000

REVISIONS	
NAME	DATE

ILLINOIS DEPARTMENT OF TRANSPORTATION  
US RTE 6 FROM I-294 TO IL RTE 1

**NORTH ABUTMENT  
PLAN & ELEVATION**

CN THOROUGHFARE TRACK  
BRIDGE 20.6E OVER U.S. RTE. 6 (159TH STREET)  
STATION 96+36.66 STRUCTURE NO. 016-2822  
SCALE: 1/4"=1'-0" DATE: 2/21/2008

3/13/2008 1:26:49 PM c:\17049\_069\structures\2822\_e\_rr\_dwg\13\_n\_abut.dgn