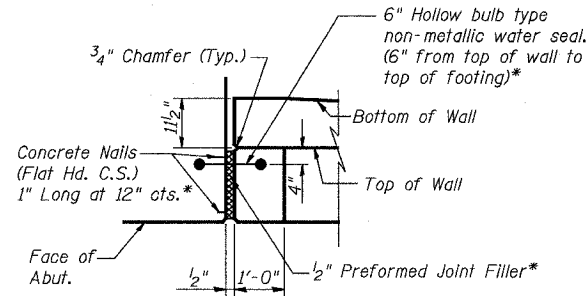


STATE OF ILLINOIS
DEPARTMENT OF TRANSPORTATION

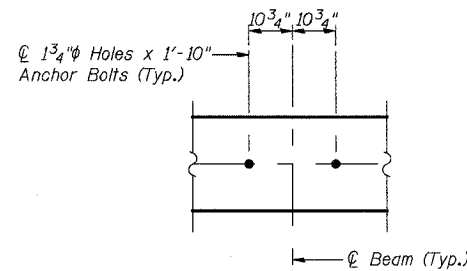
ROUTE NO.	SECTION	COUNTY	TOTAL SHEETS	SHEET NO.
F.A.P. 351	2008-001VB	COOK	579	482
FED. ROAD DIST. NO. 7	ILLINOIS	FED. AID PROJECT	CONTRACT NO. 60E10	

SHEET NO. 18
26 SHEETS



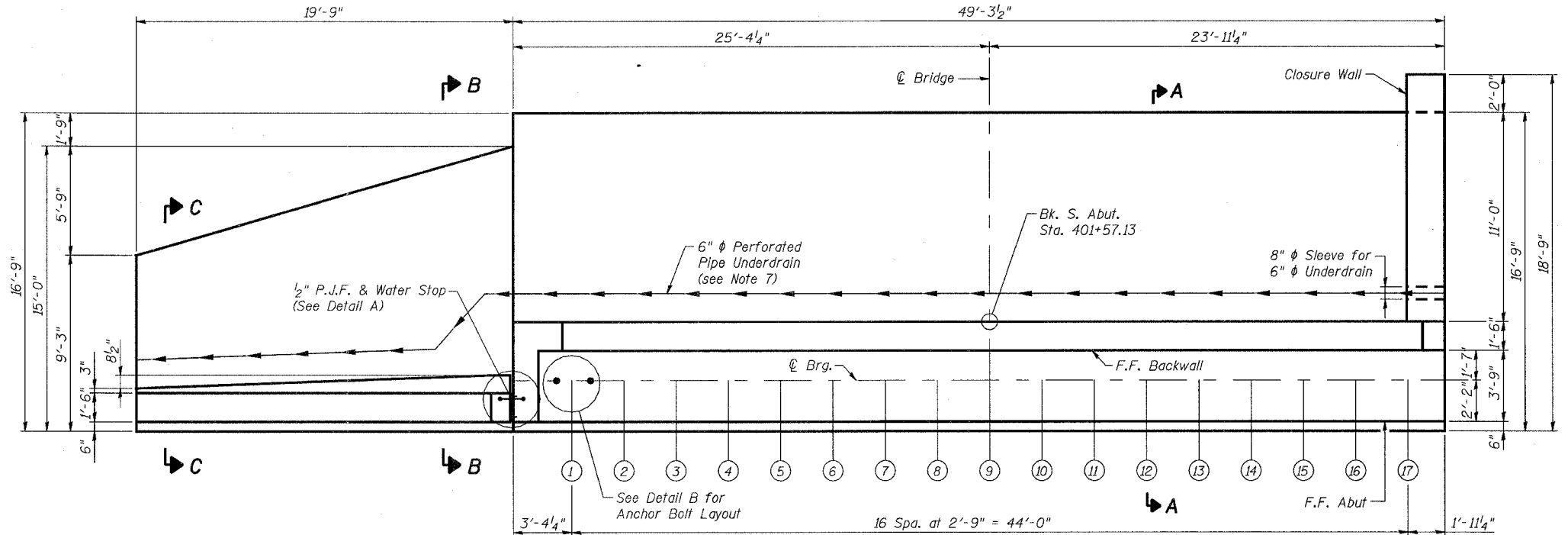
DETAIL A

* Cost included with Concrete Structures.
N.T.S.



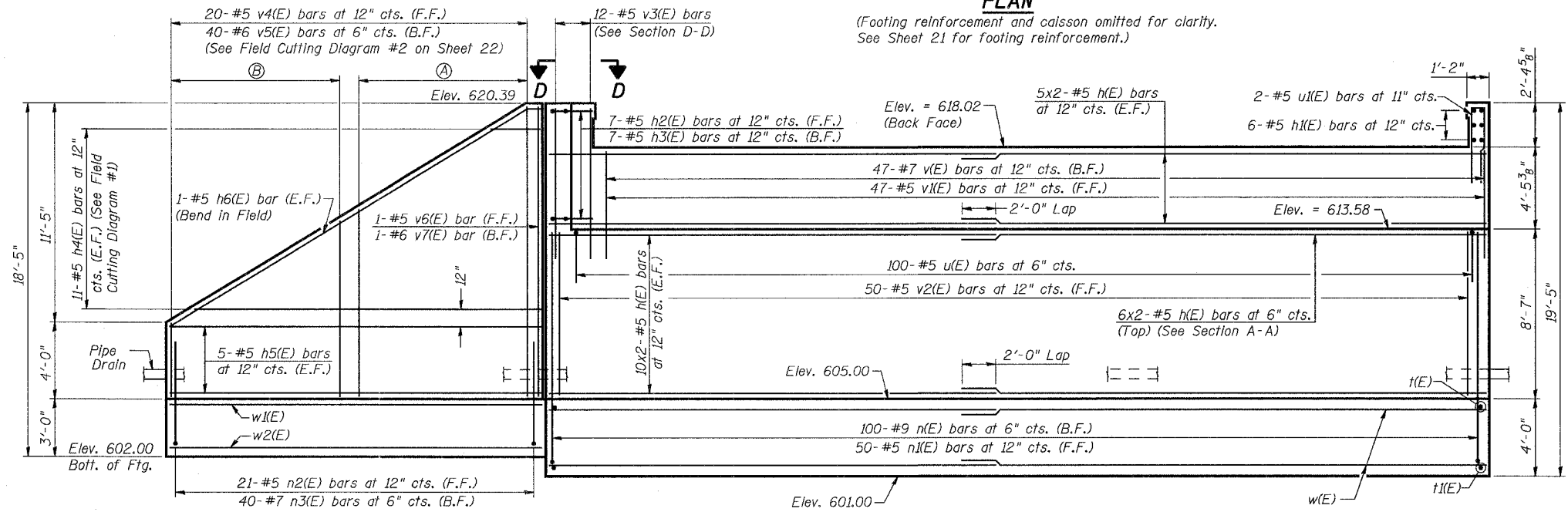
DETAIL B

N.T.S.



PLAN

(Footing reinforcement and caisson omitted for clarity.
See Sheet 21 for footing reinforcement.)



ELEVATION

(Railing Omitted for Clarity)

NOTES:

1. Reinforcement bars designated (E) shall be epoxy coated.
2. Work this sheet with Sheets 19 through 22.
3. See Sheet 19 for Sections.
4. Space reinforcement in seat to miss anchor bolts.
5. See Sheet 22 for Bill of Materials.
6. Cost of pipe sleeves is included with Concrete Structures.
7. See Sheet 24 of U.S. 6 Mainline Retaining Walls Along 159th Street plans for Pipe Underdrain Layout and Quantities. For Details See Sheet 19.
8. For Railing Detail on Wingwall See Sheet 08.

LEGEND

F.F. - Front face
B.F. - Back face
E.F. - Each face

DESIGNED	MDS
CHECKED	JPB
DRAWN	MDS
CHECKED	JPB

URS
100 South Wacker Drive,
Suite 500
Chicago, IL 60606
(312) 939-1000

REVISIONS	
NAME	DATE

ILLINOIS DEPARTMENT OF TRANSPORTATION
US RTE 6 FROM I-294 TO IL RTE 1
**SOUTH ABUTMENT
PLAN & ELEVATION**
CN THOROUGHFARE TRACK
BRIDGE 20.6E OVER U.S. RTE. 6 (159TH STREET)
STATION 96+36.66 STRUCTURE NO. 016-2822
SCALE: 1/4"=1'-0" DATE: 2/21/2008

3/13/2008 1:26:51 PM
c:\17049\069\structures\2822_e_rr\dwg\18_s_abut.dwg