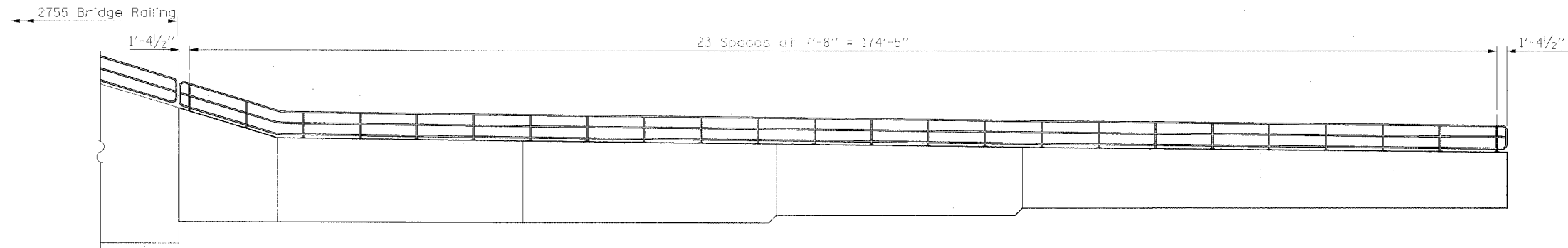
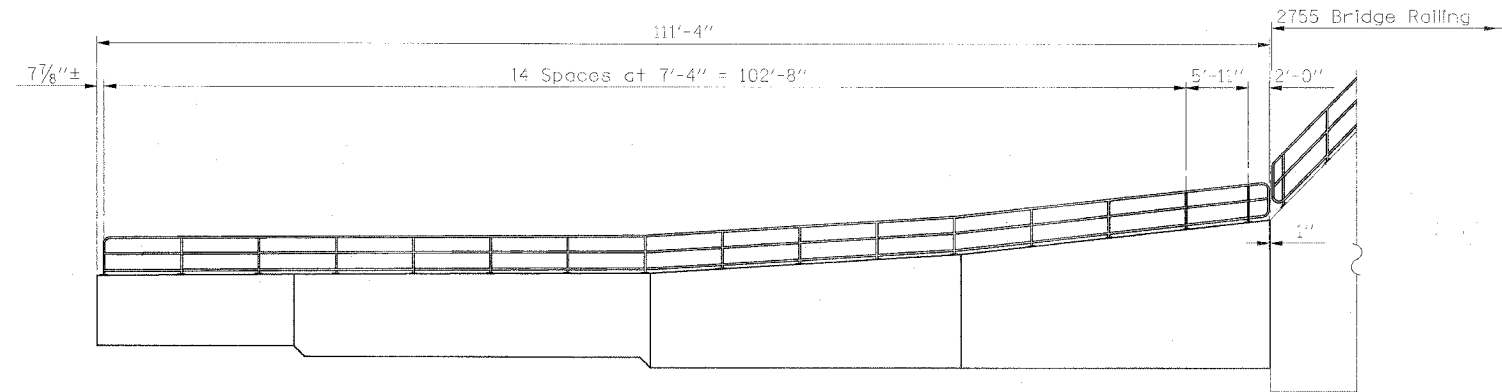


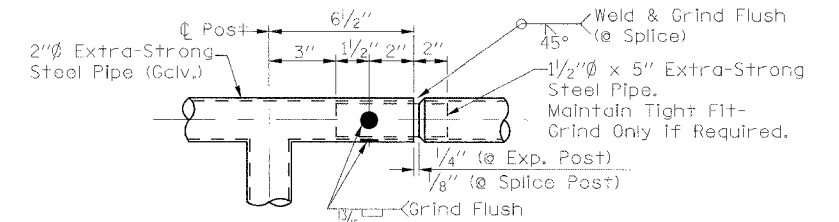
F.A.P. RTE.	SECTION	COUNTY	TOTAL SHEETS	SHEET NO.
351	2008-001VB	COOK	579	500
STA.		TO STA.		
FED. ROAD DIST. NO.		ILLINOIS FED. AID PROJECT		
CONTRACT NO. 60E10				



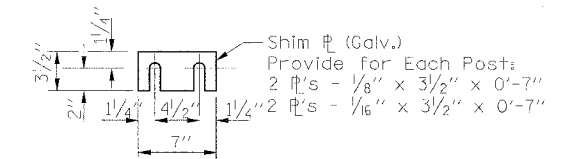
**SOUTH WALL RAILING ELEVATION**



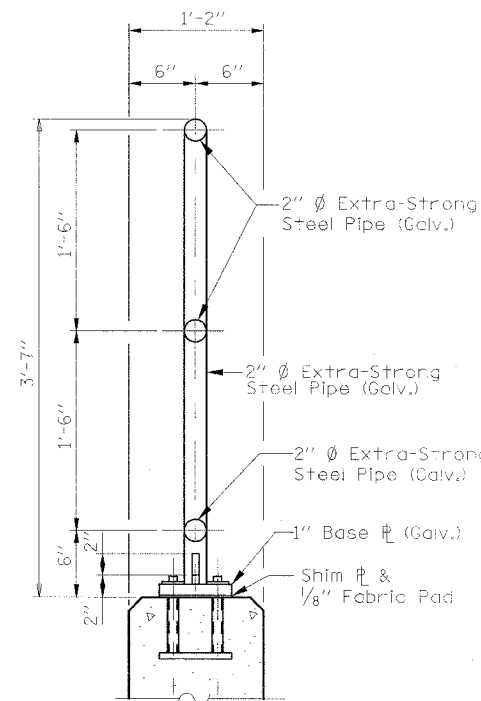
**NORTH WALL RAILING ELEVATION**



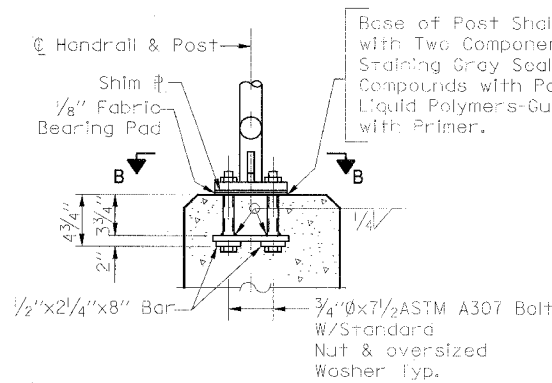
**SPLICE DETAIL**



**SHIM PLATE**

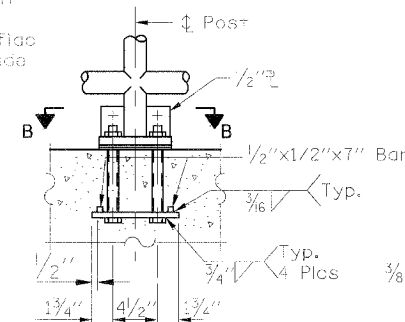


**TYPICAL SECTION**

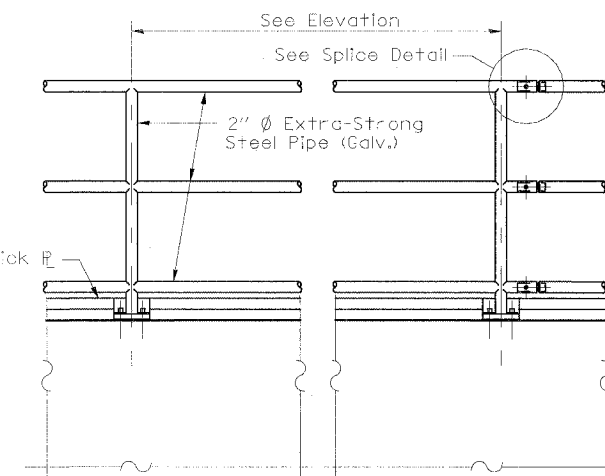


**BASE PLATE DETAIL**

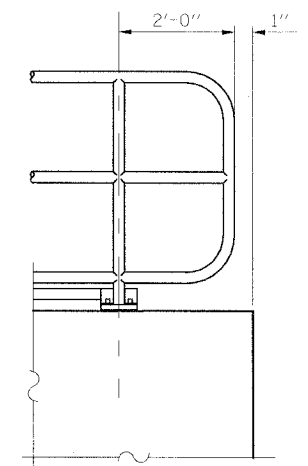
**ANCHOR BOLT DETAILS**



**SECTION B-B**



**TYPICAL PANEL**



**END POST**

**BILL OF MATERIAL**

ITEM	UNIT	QTY.
PIPE HANDRAIL, SPECIAL	Foot	288

REVISIONS	
NAME	DATE

ILLINOIS DEPARTMENT OF TRANSPORTATION  
US RTE 6 FROM LEXINGTON AVE TO FISK AVE

PARK AVE. RETAINING WALL  
RAILING DETAILS

DATE 02/21/08  
DRAWN BY SOI  
CHECKED BY DEY

**URS**  
100 S. WACKER DR., SUITE 500  
CHICAGO, ILLINOIS 60606  
TEL. (312) 939-1000  
FAX (312) 939-4198