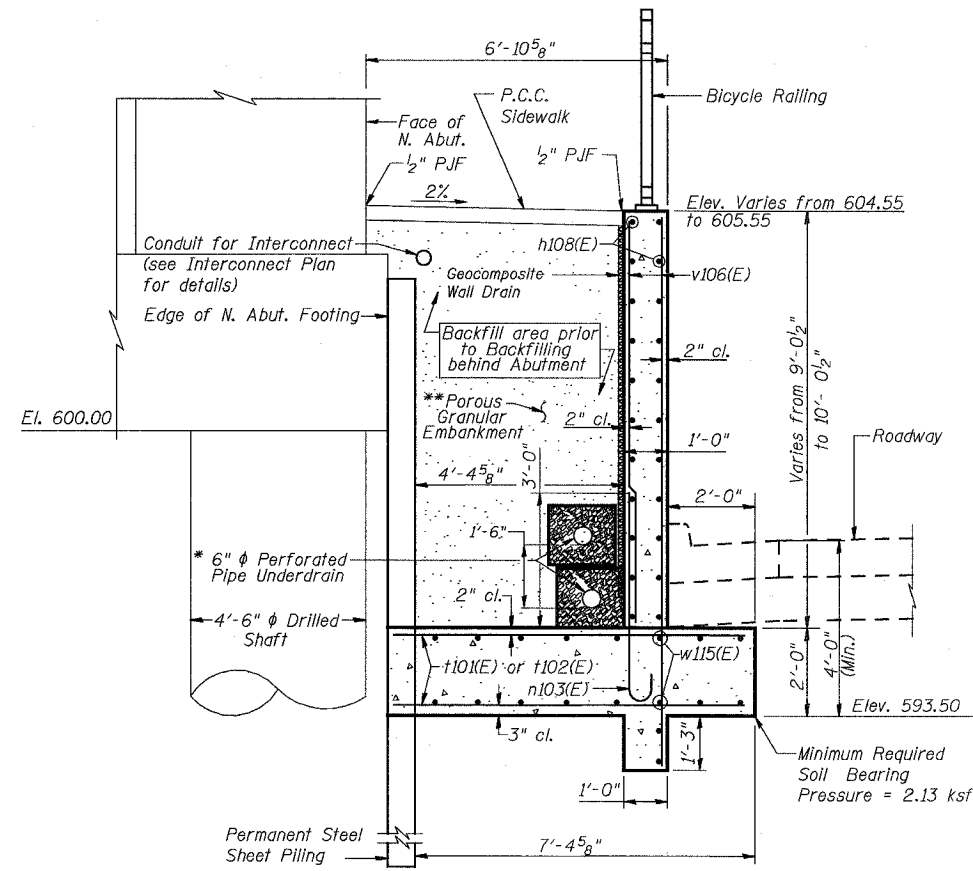


STATE OF ILLINOIS
DEPARTMENT OF TRANSPORTATION

ROUTE NO.	SECTION	COUNTY	TOTAL SHEETS	SHEET NO.
F.A.P. 351	2008-001VB	COOK	579	509
SHEET NO. 7 24 SHEETS				
FED. ROAD DIST. NO. 7	ILLINOIS	FED. AID PROJECT-		
CONTRACT NO. 60E10				

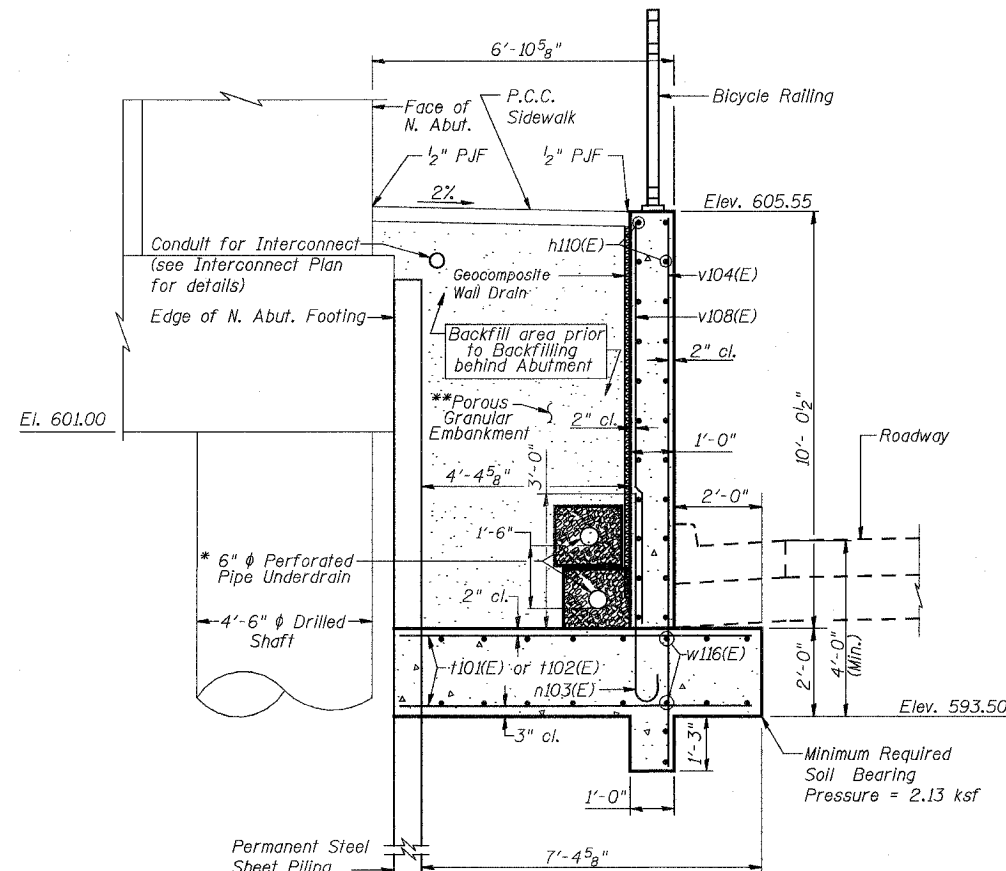
**BILL OF MATERIAL
RETAINING WALL "C"**

Bar	No.	Size	Length	Shape
h108(E)	44	#5	34'-0"	—
h110(E)	44	#5	28'-1"	—
n103(E)	122	#6	5'-4"	U
s100(E)	22	#5	2'-8"	□
t101(E)	84	#6	7'-0"	—
t102(E)	160	#6	8'-0"	—
v104(E)	55	#5	12'-10"	—
v106(E)	67	#5	21'-6"	—
v108(E)	55	#5	9'-10"	—
w115(E)	36	#5	34'-0"	—
w116(E)	36	#5	28'-1"	—
Porous Granular Embankment			Cu. Yd.	190
Structure Excavation			Cu. Yd.	202
Concrete Structures			Cu. Yd.	119.4
Reinforcement Bars, Epoxy Coated			Pound	11,830
Pipe Underdrain For Structures 6"			Foot	240
Bar Splicers			Each	54
Geocomposite Wall Drain			Sq. Yd.	125
Non-Special Waste Disposal			Cu. Yd.	55.0

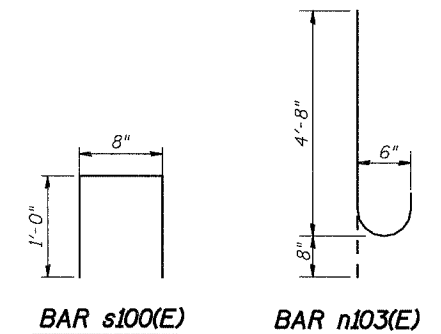


SECTION STA. 93+91.47 TO 94+57.47

* See Miscellaneous Details For Retaining Walls A-M sheet for Pipe Underdrain Detail



SECTION STA. 94+57.47 TO 95+11.63



Notes:

1. Work this sheet with Sheet 6.
2. ** Excavation for placing Porous Granular Embankment is included in cost of Braced Excavation & Structure Excavation.
3. Porous Granular Embankment shall be compacted to 95% Modified Proctor Density and its coarse aggregate gradation shall be CA 18.

REVISIONS	
NAME	DATE

ILLINOIS DEPARTMENT OF TRANSPORTATION
US RTE 6 FROM I-294 TO IL RTE 1
RET. WALL "C" DETAILS
STA. 93+91.47 TO 95+11.63
U.S. 6 MAINLINE RETAINING WALLS
ALONG 159TH STREET

URS
100 South Wacker Drive,
Suite 500
Chicago, IL 60606
(312) 939-1000

SCALE: DATE: 2/21/2008

3/13/2008 5:50:04 PM

c:\17049\069\structures\retaining walls\main contract\walls under bridges along us 6\07 n94-95 c b.dan

DESIGNED	MAD
CHECKED	JPB
DRAWN	MDS
CHECKED	DEY