

3/13/2008 6:07:03 PM
 C:\17049\068\structures\retaining walls\main contract\walls under bridges along us 6\15 s91-92 a.b.dwg

STATE OF ILLINOIS
DEPARTMENT OF TRANSPORTATION

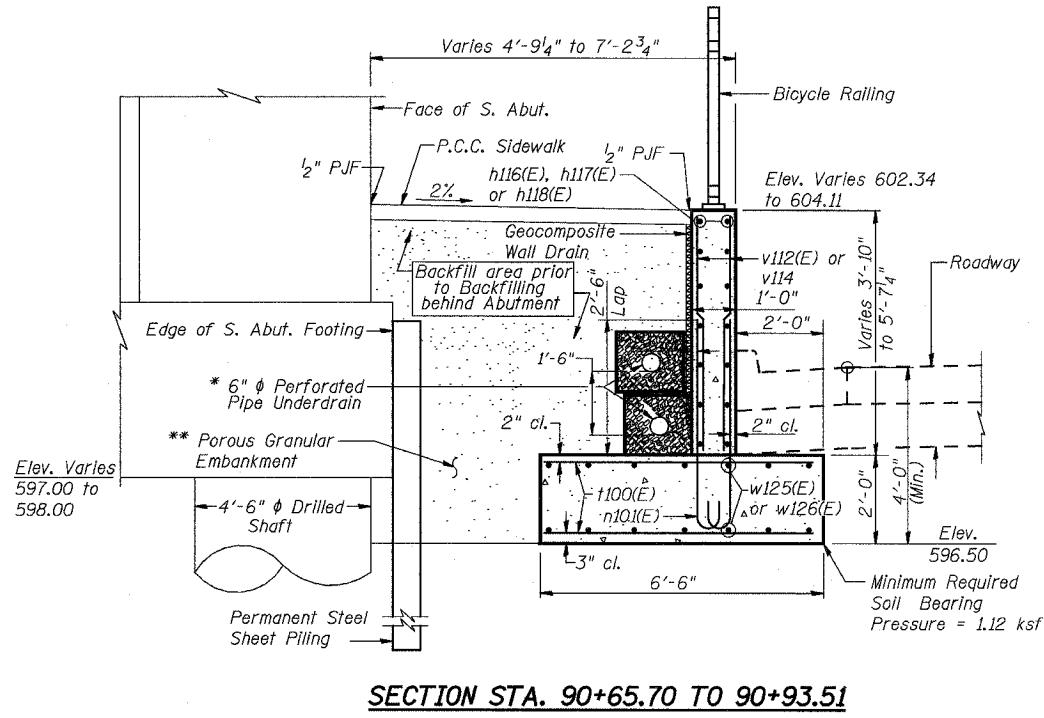
ROUTE NO.	SECTION	COUNTY	TOTAL SHEETS	SHEET NO.
F.A.P. 351	2008-001VB	COOK	579	517
FED. ROAD DIST. NO. 7		ILLINOIS	FED. AID PROJECT	

CONTRACT NO. 60E10

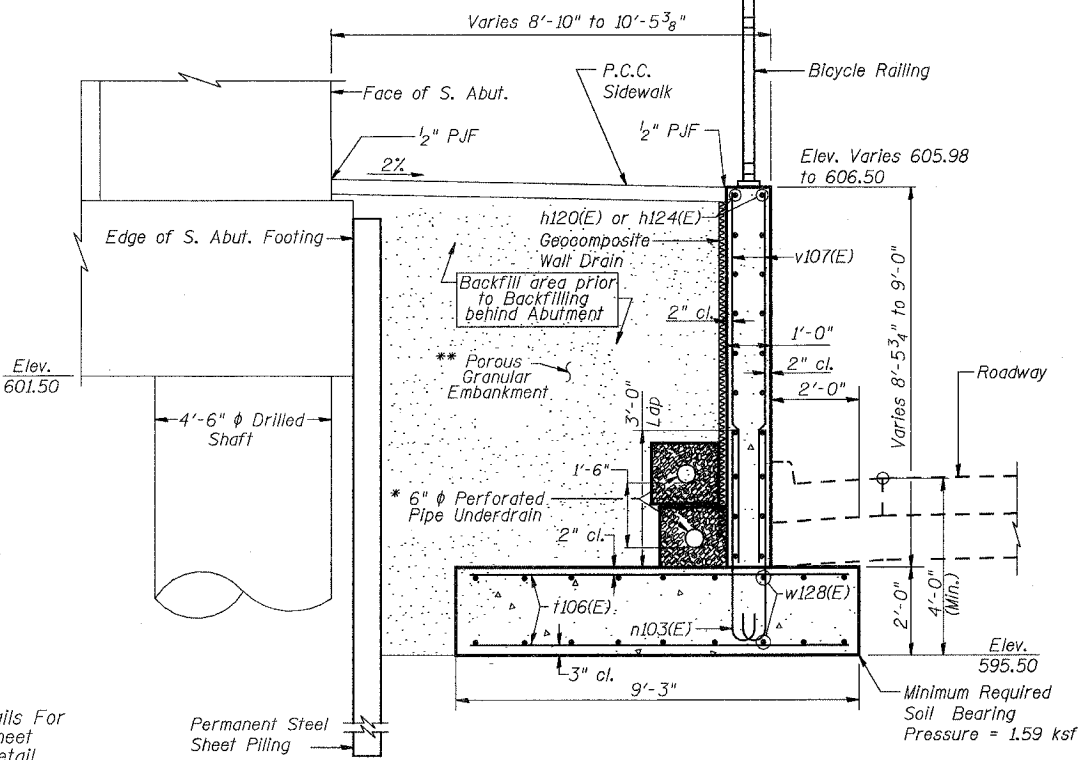
SHEET NO. 15
24 SHEETS

**BILL OF MATERIAL
RETAINING WALL "G"**

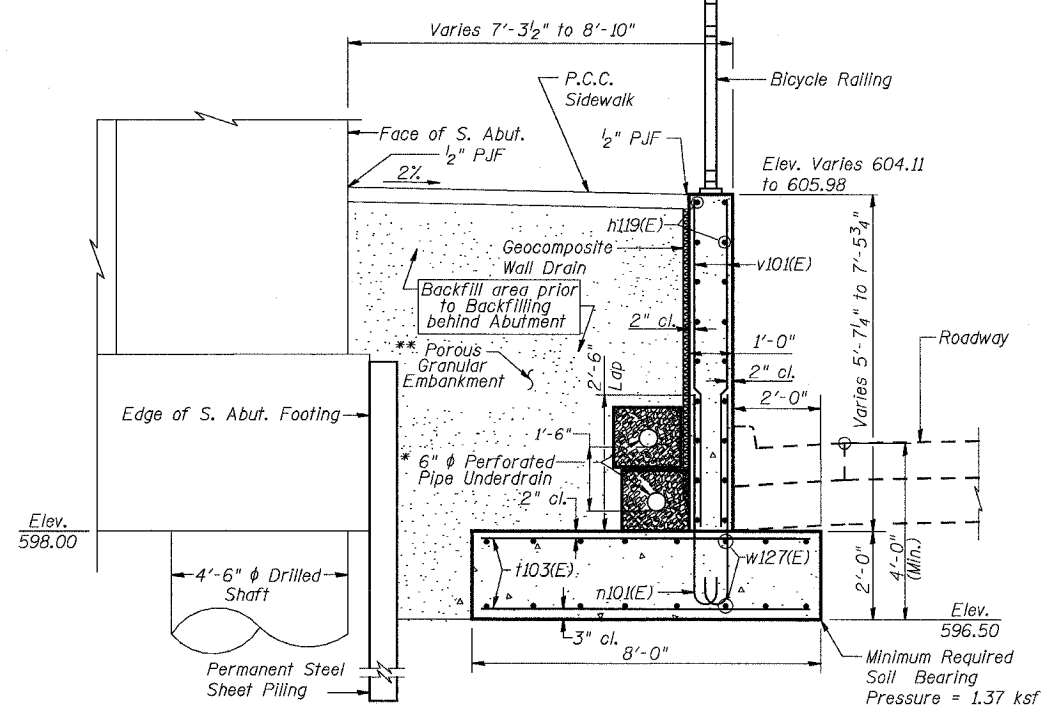
Bar	No.	Size	Length	Shape
d100(E)	115	#5	2'-1"	
h116(E)	10	#5	8'-0"	
h117(E)	12	#5	24'-4"	
h118(E)	2	#5	9'-4"	
h119(E)	16	#5	22'-0"	
h120(E)	20	#5	23'-0"	
h121(E)	22	#5	9'-2"	
h122(E)	22	#5	34'-6"	
h124(E)	2	#5	13'-3"	
n101(E)	102	#5	4'-9"	
n103(E)	48	#6	5'-4"	
s100(E)	22	#5	2'-8"	
h100(E)	56	#6	6'-2"	
h103(E)	46	#6	7'-8"	
h106(E)	48	#6	8'-11"	
v101(E)	23	#5	12'-6"	
v107(E)	48	#5	8'-10"	
v112(E)	12	#5	5'-5"	
v114(E)	23	#5	9'-0"	
v115(E)	92	#5	9'-6"	
w110(E)	9	#5	6'-8"	
w111(E)	9	#5	6'-1"	
w125(E)	14	#5	8'-0"	
w126(E)	14	#5	24'-4"	
w127(E)	18	#5	22'-2"	
w128(E)	20	#5	23'-2"	
Porous Granular Embankment		Cu. Yd.	110	
Structure Excavation		Cu. Yd.	26	
Concrete Structures		Cu. Yd.	77.6	
Reinforcement Bars, Epoxy Coated		Pound	8,610	
Pipe Underdrain For Structures 6"		Foot	134	
Bar Splicers		Each	38	
Geocomposite Wall Drain		Sq. Yd.	51	
Non-Special Waste Disposal		Cu. Yd.	4.9	



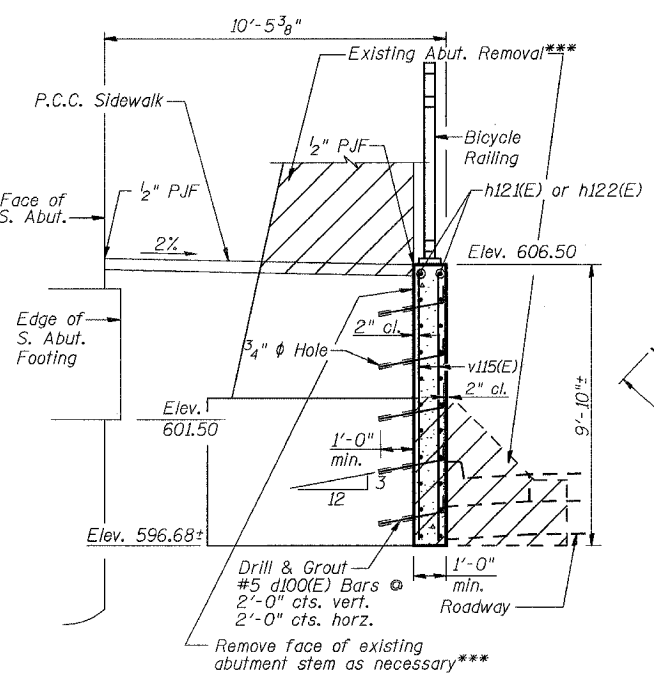
SECTION STA. 90+65.70 TO 90+93.51



SECTION STA. 91+15.93 TO 91+39.30

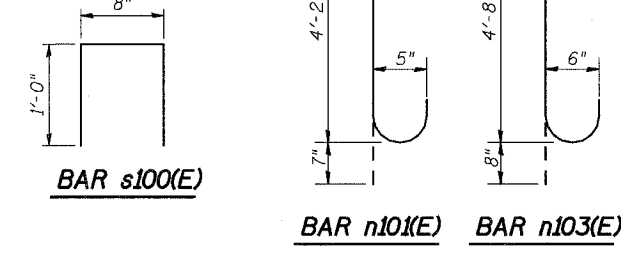
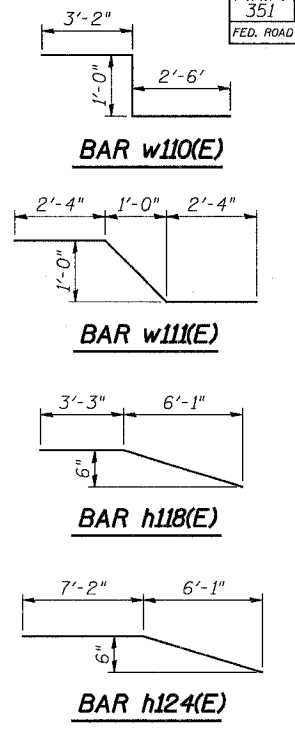


SECTION STA. 90+93.51 TO 91+15.93



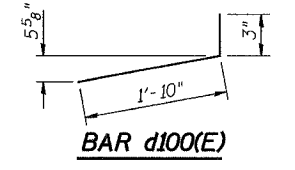
SECTION STA. 91+39.30 TO 91+83.82

*** Paid for as "Removal of Existing Structures No. 1" See SN 016-2755 plans for quantities.



Bar	R	L
h116(E)	56'-6"	8'-0"
w125(E)	56'-6"	8'-0"

BARS h116(E) and w125(E)



BAR d100(E)

- Notes:
- Work this sheet with Sheet 14.
 - ** Excavation for placing Porous Granular Embankment is included in cost of Braced Excavation & Structure Excavation.
 - Porous Granular Embankment shall be compacted to 95% Modified Proctor Density and its coarse aggregate gradation shall be CA 18.

DESIGNED	MAD
CHECKED	JPB
DRAWN	MDS
CHECKED	DEY

URS
100 South Wacker Drive,
Suite 500
Chicago, IL 60606
(312) 939-1000

REVISIONS	
NAME	DATE

ILLINOIS DEPARTMENT OF TRANSPORTATION
US RTE 6 FROM I-294 TO IL RTE 1
RET. WALL "G" DETAILS
STA. 90+65.70 TO 91+83.82
U.S. 6 MAINLINE RETAINING WALLS
ALONG 159TH STREET
SCALE: DATE: 2/21/2008