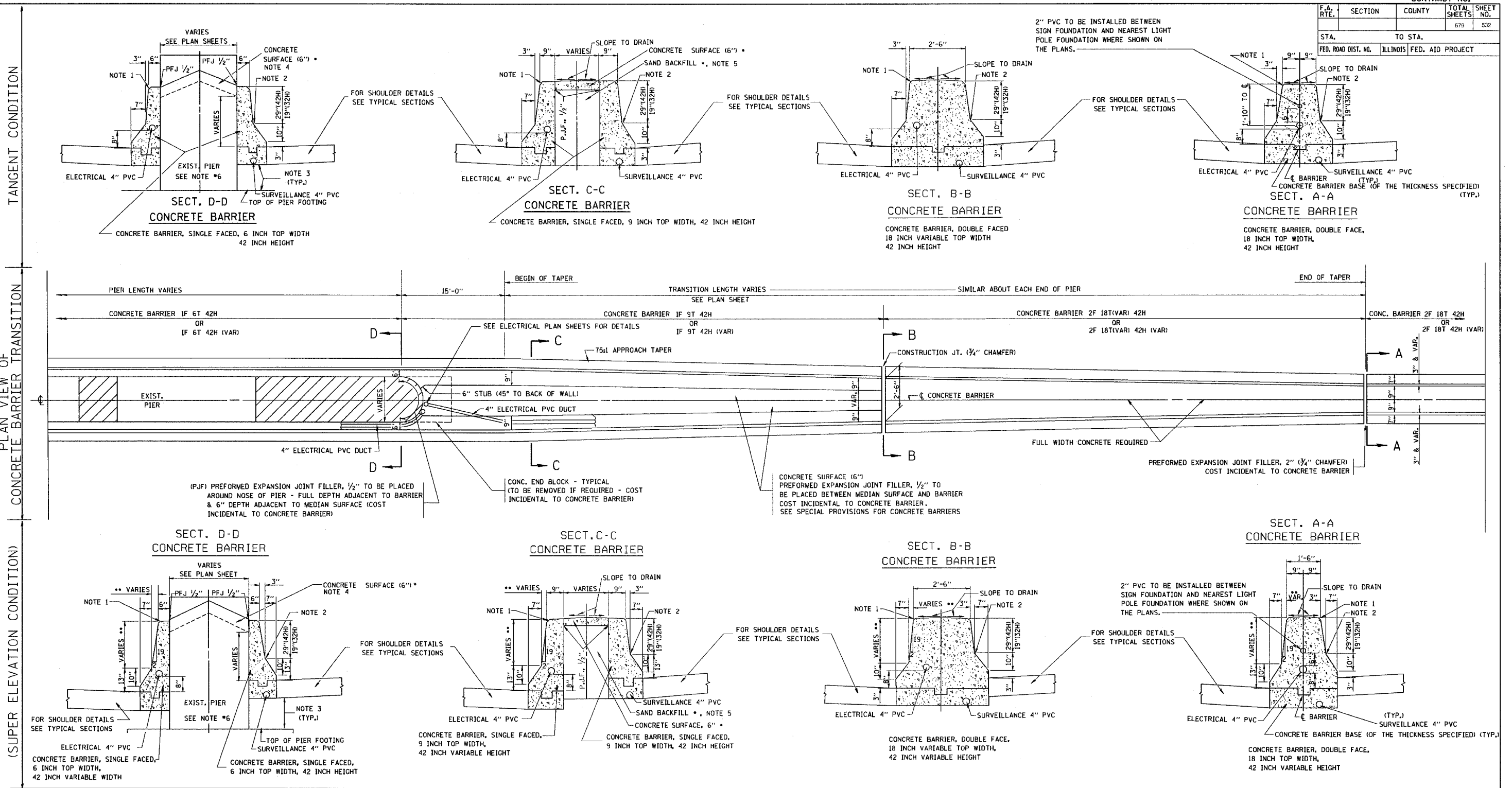


F.A. RTE.	SECTION	COUNTY	TOTAL SHEETS	SHEET NO.
			579	532
STA.		TO STA.		
FED. ROAD DIST. NO.		ILLINOIS FED. AID PROJECT		



ILLINOIS DEPARTMENT OF TRANSPORTATION

CONCRETE BARRIER TRANSITION & GENERAL DETAILS CONCRETE BARRIER BASE

SCALE: VERT. NONE
HORIZ. DRAWN BY
CHECKED BY