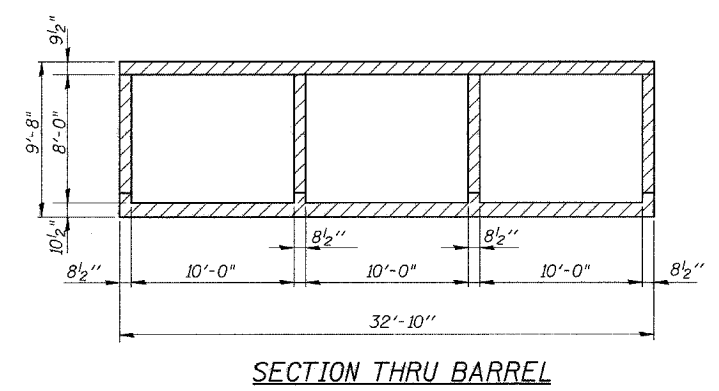


- Legend:**
- Indicates Structural Repair of Concrete, Depth ≤ 5" in square feet
 - Indicates Epoxy Crack Injection in feet
 - Denotes Concrete Removal (See Sheet S9 of S13)

BILL OF MATERIAL

Item	Unit	Total
Box Culverts To Be Cleaned	Foot	140.3
Structural Repair of Concrete, Depth ≤ 5"	Sq. Ft.	382
Epoxy Crack Injection	Foot	20



Notes:
For Sections B-B and C-C see sheet S9 of S13.

COLLINS ENGINEERS, INC.
123 N. WACKER DR.
SUITE 300
CHICAGO, IL 60606
(312)704-9300
ILLINOIS PROFESSIONAL DESIGN FIRM
LICENSE NO. 184-000993

REVISIONS

NAME	DATE

ILLINOIS DEPARTMENT OF TRANSPORTATION
HARLEM AVENUE (IL. 43) OVER
TINLEY CREEK
FAP ROUTE 348 SECTION (1214 & 3127-1)RS-1
COOK COUNTY STATION 20+29
STRUCTURE NO. 016-2400
**NORTH BARREL CONCRETE REMOVAL
AND REPAIRS**
DRAWN BY: DR
CHECKED BY: PAS/DGS
DATE: JULY, 2003