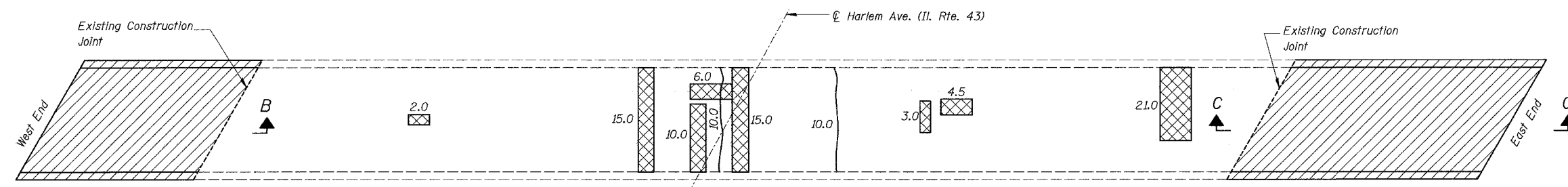
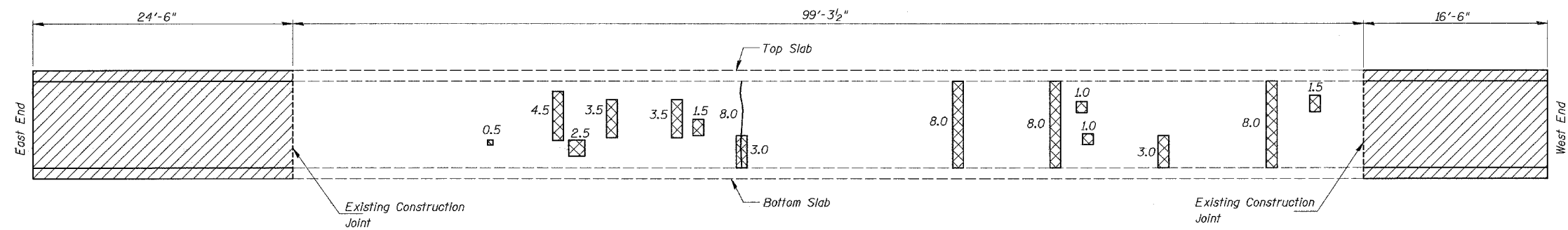


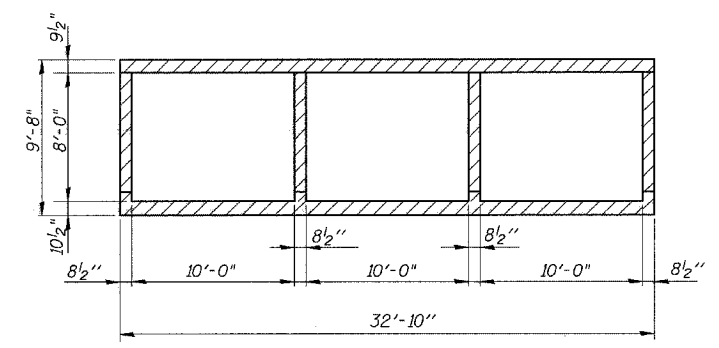
**NORTH WALL ELEVATION**  
(Looking North)



**CEILING PLAN**  
(Looking Down)



**SOUTH WALL ELEVATION**  
(Looking South)



**SECTION THRU BARREL**

Notes:  
For Sections B-B and C-C see sheet S9 of S13.

- Legend:
- Indicates Structural Repair of Concrete, Depth ≤ 5" in square feet
  - Indicates Epoxy Crack Injection in feet
  - Denotes Concrete Removal (See Sheet S9 of S13)

**BILL OF MATERIAL**

Item	Unit	Total
Box Culverts To Be Cleaned	Foot	140.3
Structural Repair of Concrete, Depth ≤ 5"	Sq. Ft.	162
Epoxy Crack Injection	Foot	60

**COLLINS ENGINEERS, INC.**  
123 N. WACKER DR.  
SUITE 300  
CHICAGO, IL 60606  
(312)704-9300  
ILLINOIS PROFESSIONAL DESIGN FIRM  
LICENSE NO. 184-000993

REVISIONS	
NAME	DATE

ILLINOIS DEPARTMENT OF TRANSPORTATION  
HARLEM AVENUE (IL. 43) OVER  
TINLEY CREEK  
FAP ROUTE 348 SECTION (1214 & 3127-1)RS-1  
COOK COUNTY STATION 20+29  
STRUCTURE NO. 016-2400  
**CENTER BARREL CONCRETE REMOVAL  
AND REPAIRS**  
DRAWN BY: DR  
CHECKED BY: PAS/DGS  
DATE: JULY, 2003