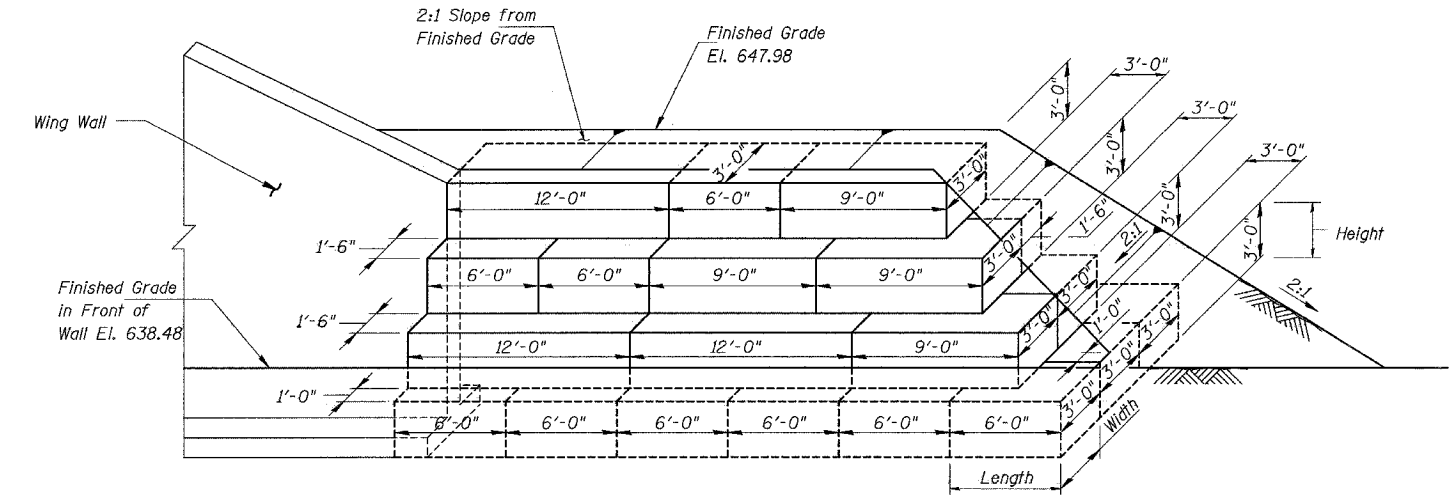
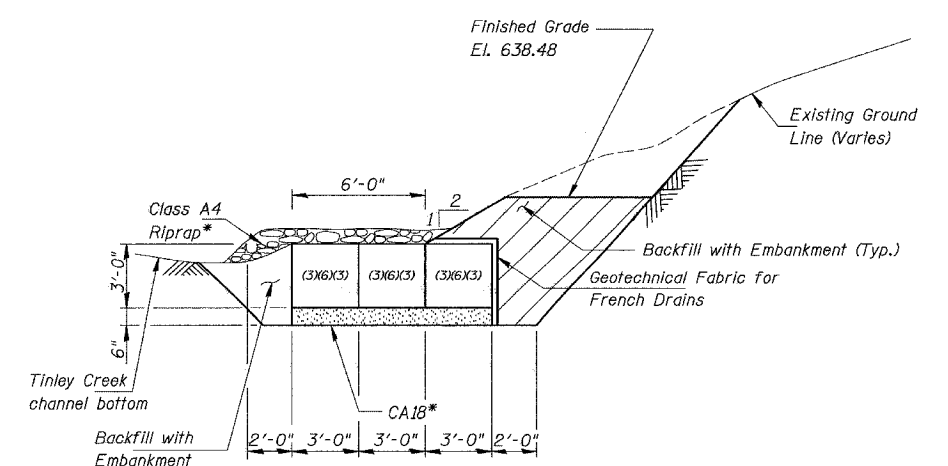


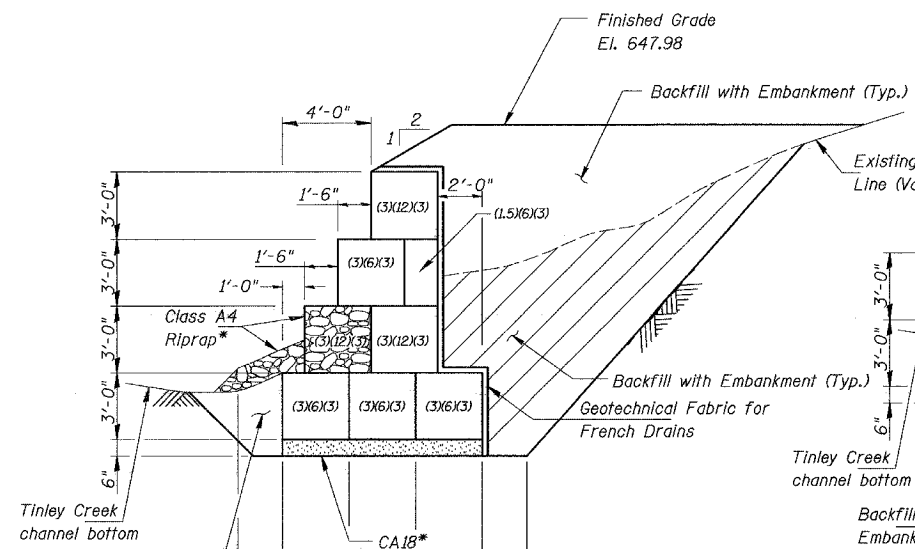
NORTH ELEVATION



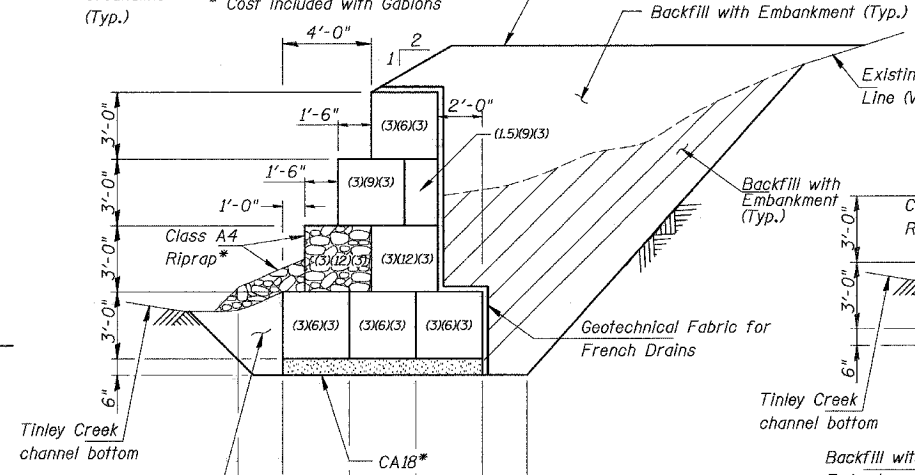
ISOMETRIC VIEW OF THE GABION WALL
(Change in wall alignment not shown for clarity.)



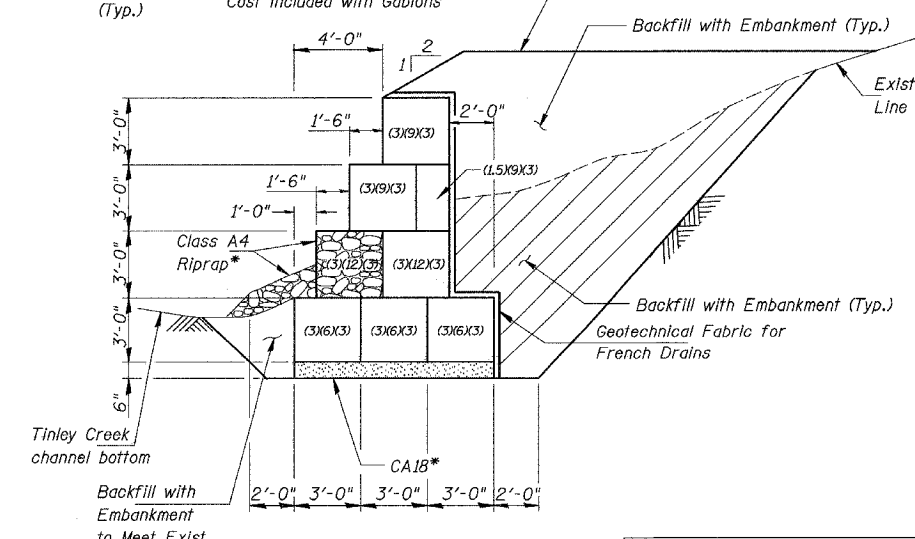
SECTION F-F
* Cost Included with Gabions



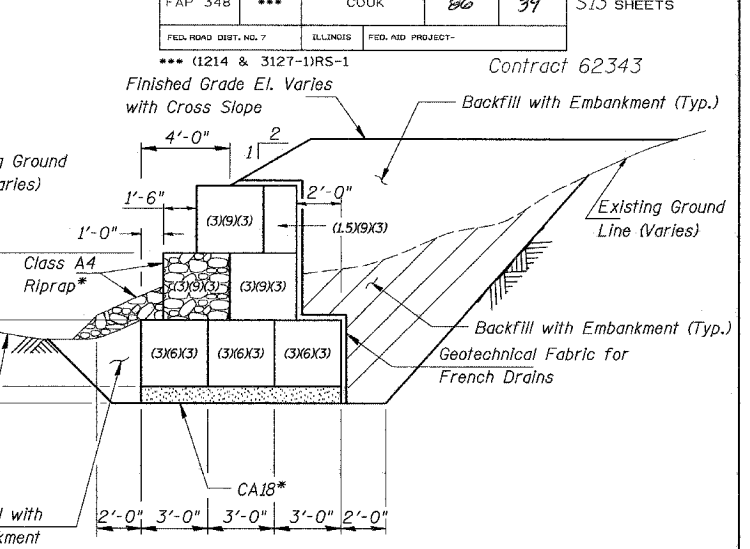
SECTION A-A
* Cost included with Gabions



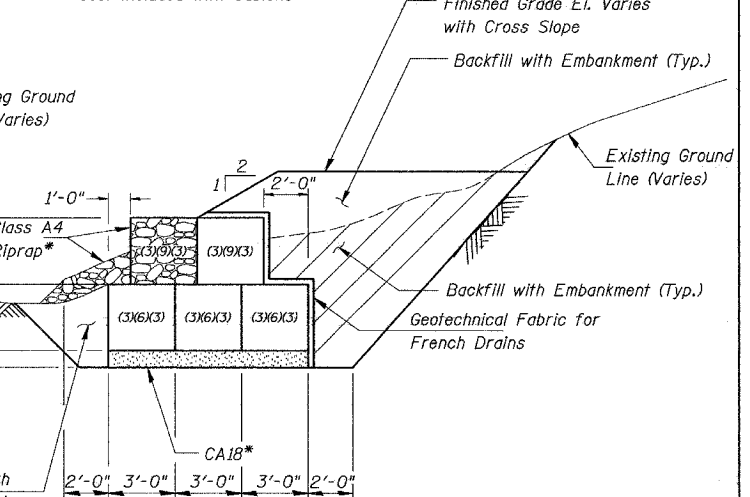
SECTION B-B
* Cost included with Gabions



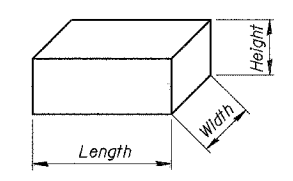
SECTION C-C
* Cost Included with Gabions



SECTION D-D
* Cost Included with Gabions



SECTION E-E
* Cost Included with Gabions



Note:
Dimensions are Width x Length x Height in feet.

GABION DETAIL
(Typical Elevation View)

REVISIONS	
NAME	DATE

COLLINS ENGINEERS, INC.
123 N. WACKER DR.
SUITE 300
CHICAGO, IL 60606
(312)704-9300
ILLINOIS PROFESSIONAL DESIGN FIRM
LICENSE NO. 184-000993

ILLINOIS DEPARTMENT OF TRANSPORTATION
HARLEM AVENUE (IL 43) OVER
TINLEY CREEK
FAP ROUTE 348 SECTION (1214 & 3127-1)RS-1
COOK COUNTY STATION 20+29
STRUCTURE NO. 016-2400
GABION DETAILS - II
DRAWN BY: KAC
CHECKED BY: PAS/DGS
DATE: JULY, 2003