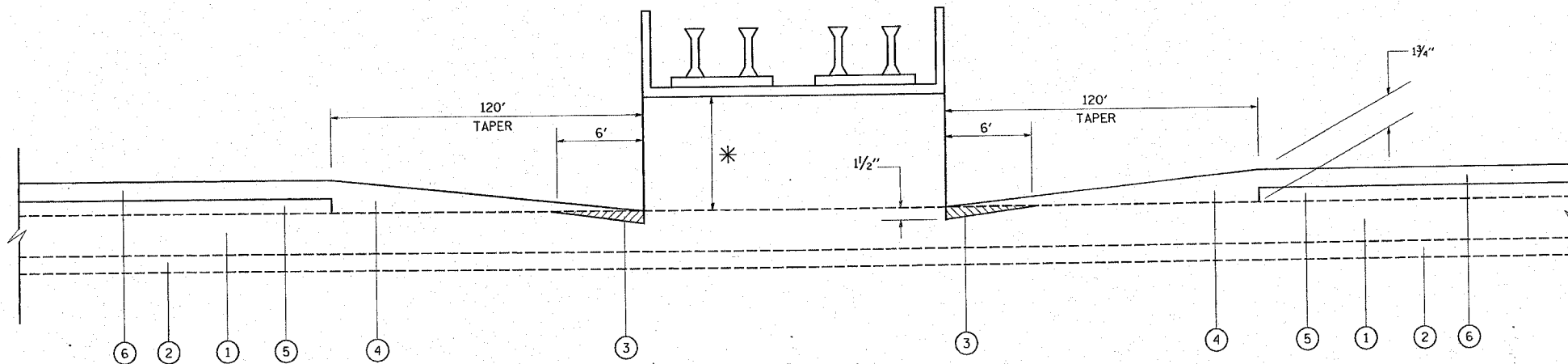


CONTRACT NO. 62343				
F.A.P. RTE.	SECTION	COUNTY	TOTAL SHEETS	SHEET NO.
348	*	COOK	86	64
STA.		TO STA.		
FED. ROAD DIST. NO.	ILLINOIS	FED. AID PROJECT		
(1214 & 3127-1) RS-1				

NORFOLK AND WESTERN RAILROAD
CROSSING OVER IL-43 (HARLEM AVE.)
AND 111TH STREET



- * EXISTING CLEARANCE HEIGHT MAINTAINED SAME. (NO HMA OVERLAY UNDER THE R.R. BRIDGE)
- CONCRETE PATCHING UNDER THE R.R. BRIDGE WILL BE DETERMINED BY R.E. IN THE FIELD

RESURFACING DETAILS
AT
RAILROAD BRIDGE CROSSING
OVER IL-43 (HARLEM AVE) & 111TH ST.

LEGEND

- ① EXISTING CONCRETE PAVEMENT
- ② EXISTING STABILIZED SUB-BASE, 4"
- ③ PROPOSED P.C.C. SURFACE REMOVAL (VARIABLE DEPTH), 0"-1 1/2"
- ④ PROPOSED POLYMEIZED HMA SURFACE COURSE MIX 'F', N90, (VARIEABLE DEPTH), 1 3/4" TO 1 1/2"
- ⑤ PROPOSED POLYMEIZED LEVELING BINDER (MACHINE METHOD), IL-4.75, N50, 3/4"
- ⑥ PROPOSED POLYMERIZED HMA SURFACE COURSE, MIX 'F', N90, 1 3/4"

PLOT DATE = 12/5/2007
FILE NAME = c:\projects\111th\111th_rsd.dwg
USER NAME = drakecsgn

REVISIONS	
NAME	DATE

ILLINOIS DEPARTMENT OF TRANSPORTATION

RESURFACING DETAILS
AT RAIL ROAD BRIDGE CROSSING
OVER IL-43 (HARLEM AVE.) & 111TH STREET

SCALE: VERT. NONE
HORIZ. DATE 12/5/2007

DRAWN BY
CHECKED BY