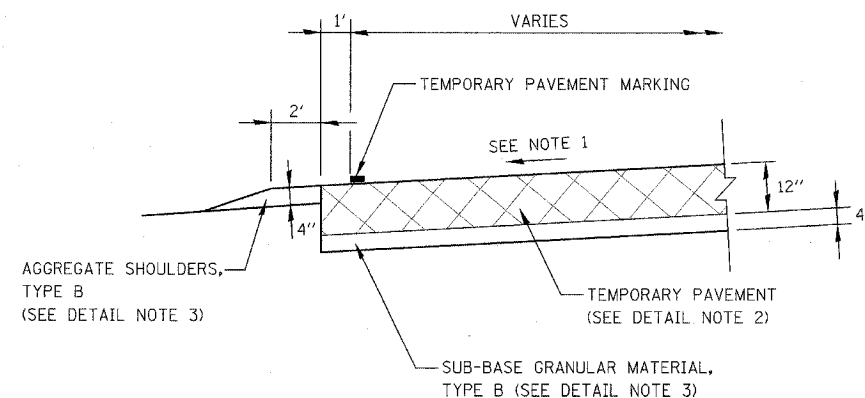


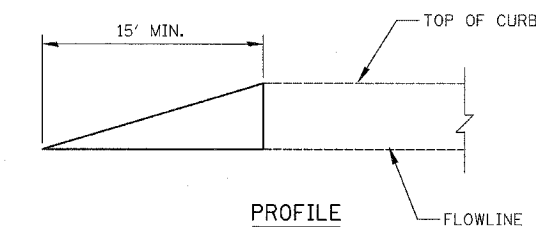
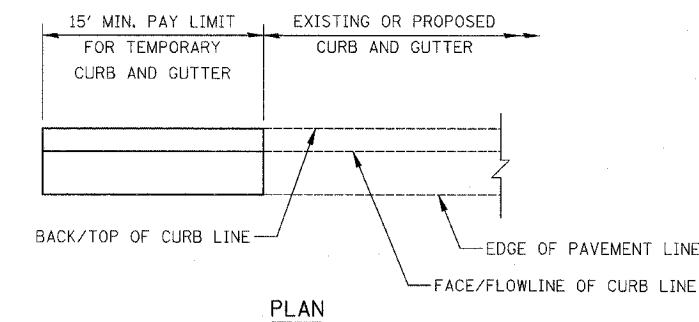
FAP REF.	SECTION	COUNTY	TOTAL SHEETS	SHEET NO.
338	(113 & 114) R-5	WILL	525	70
STA.	TO STA.			
FED. ROAD DIST. NO.	ILLINOIS	FAP 338 (IL RTE. 59)		



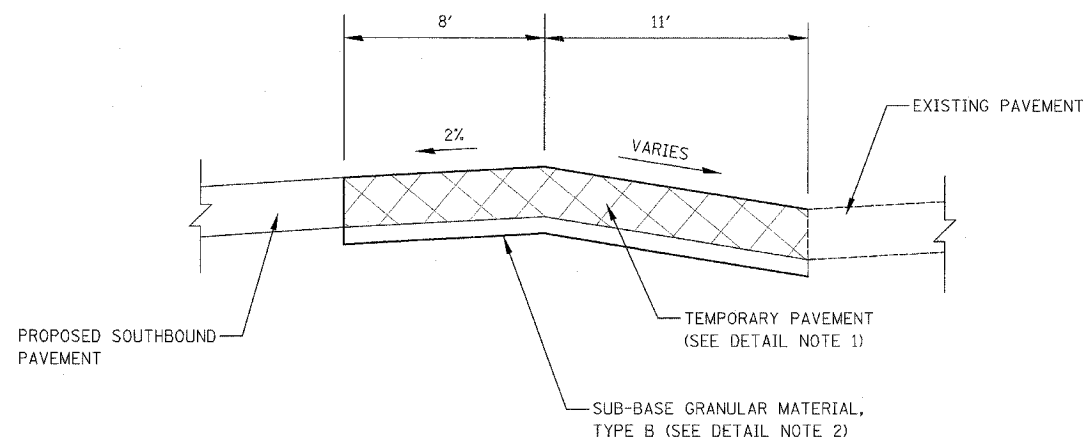
NOTES

1. CROSS SLOPE OF TEMPORARY PAVEMENT SHALL MATCH THE CROSS SLOPE OF THE ADJACENT EXISTING OR PROPOSED PAVEMENT, UNLESS OTHERWISE DIRECTED BY THE ENGINEER.
2. THE TEMPORARY PAVEMENT SHALL BE CONSTRUCTED OF EITHER HOT-MIX ASPHALT OR PCC BASE COURSE. SEE SPECIAL PROVISIONS FOR MATERIAL REQUIREMENTS.
3. SUB-BASE GRANULAR MATERIAL, TYPE B AND AGGREGATE SHOULDERS, TYPE B SHALL BE PAID FOR SEPERATELY.

TEMPORARY PAVEMENT DETAIL



TEMPORARY CURB AND GUTTER DETAIL



NOTES

1. THE TEMPORARY PAVEMENT SHALL BE CONSTRUCTED OF EITHER HOT-MIX ASPHALT OR PCC BASE COURSE. SEE SPECIAL PROVISIONS FOR MATERIAL REQUIREMENTS.
2. SUB-BASE GRANULAR MATERIAL, TYPE B SHALL BE PAID FOR SEPERATELY.

MEDIAN TEMPORARY PAVEMENT DETAIL

STA. 3291+50 TO STA. 3293+10 (RENWICK ROAD)

ILLINOIS DEPARTMENT OF TRANSPORTATION
DISTRICT NO. 1 SCHAUMBURG
MAINTENANCE OF TRAFFIC
DETAILS

SCALE NONE
DATE MARCH 18, 2008
DRAWN BY REW
CHECKED BY JCM