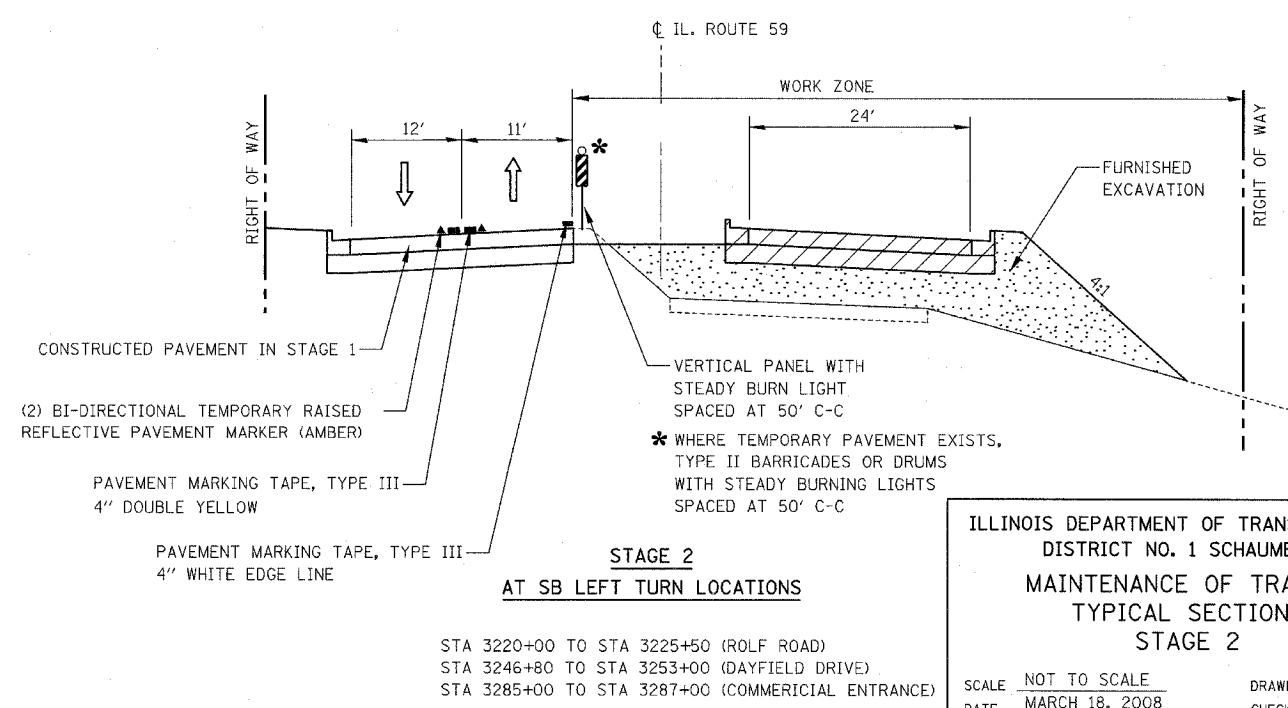
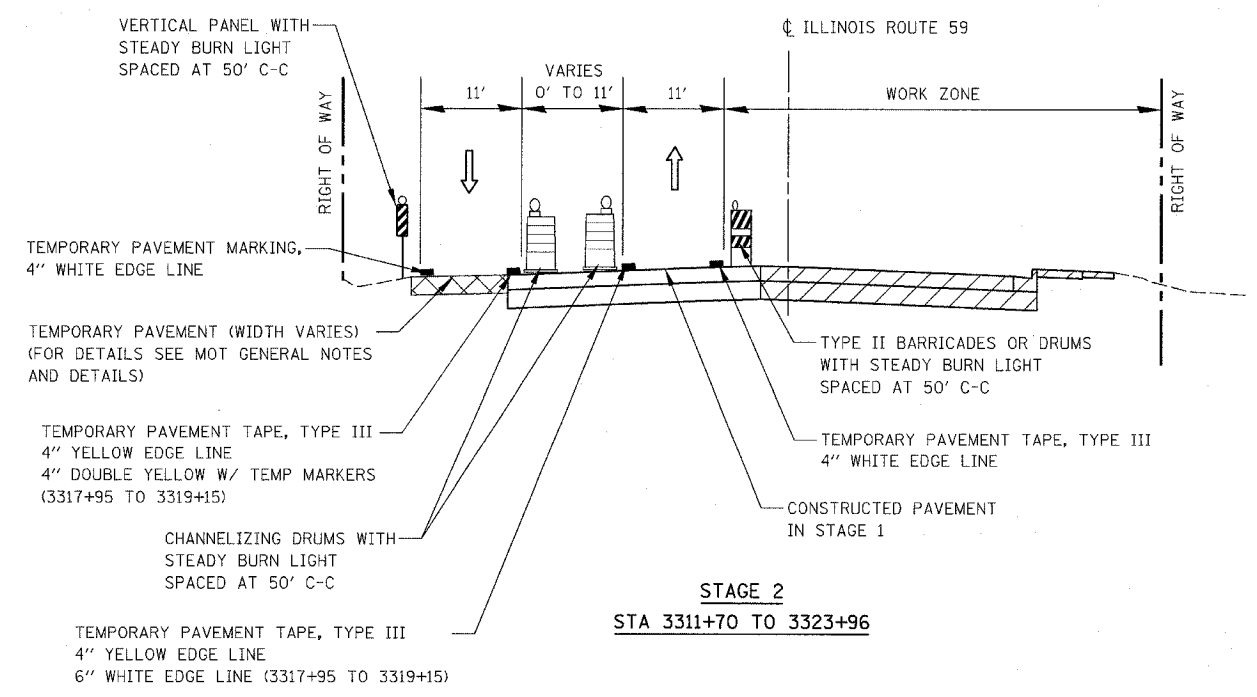
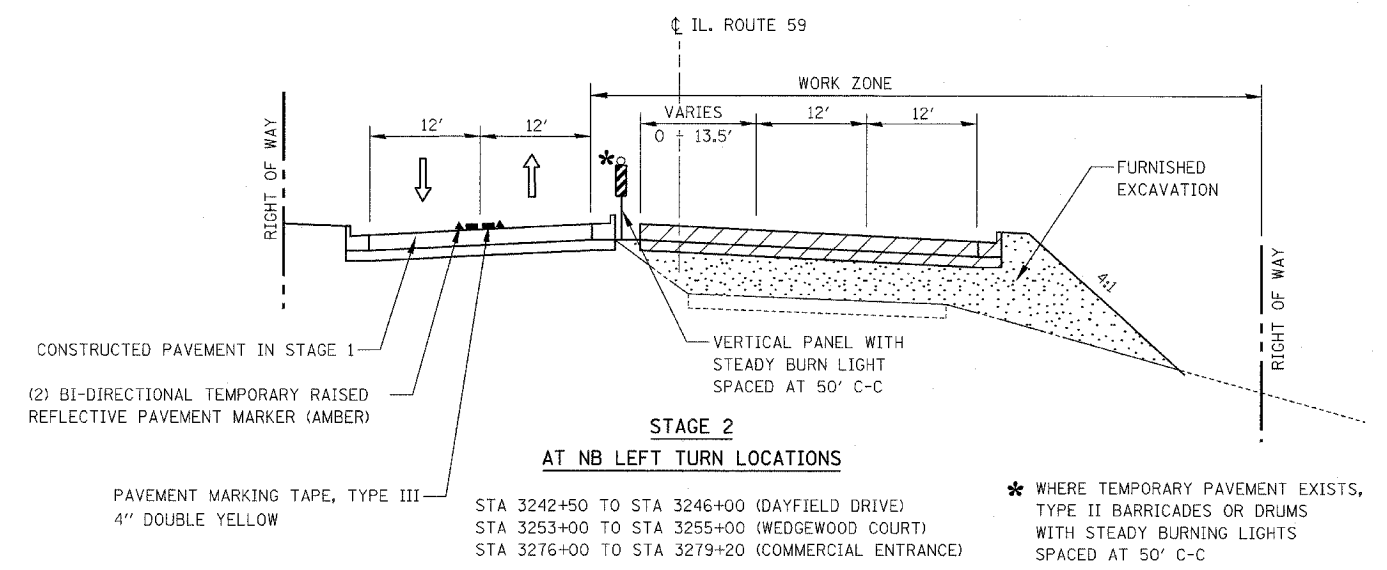
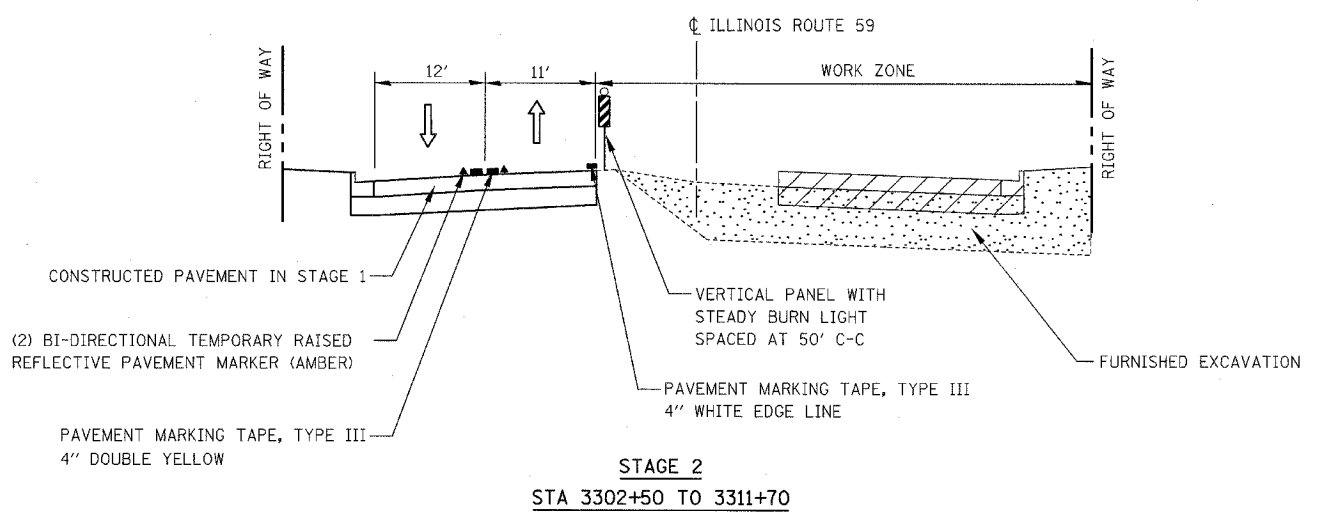
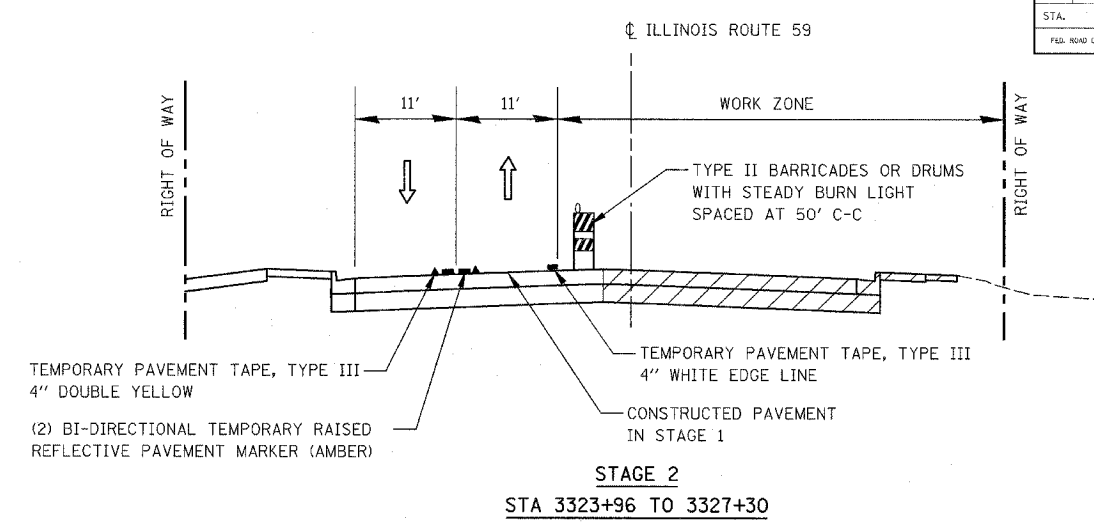
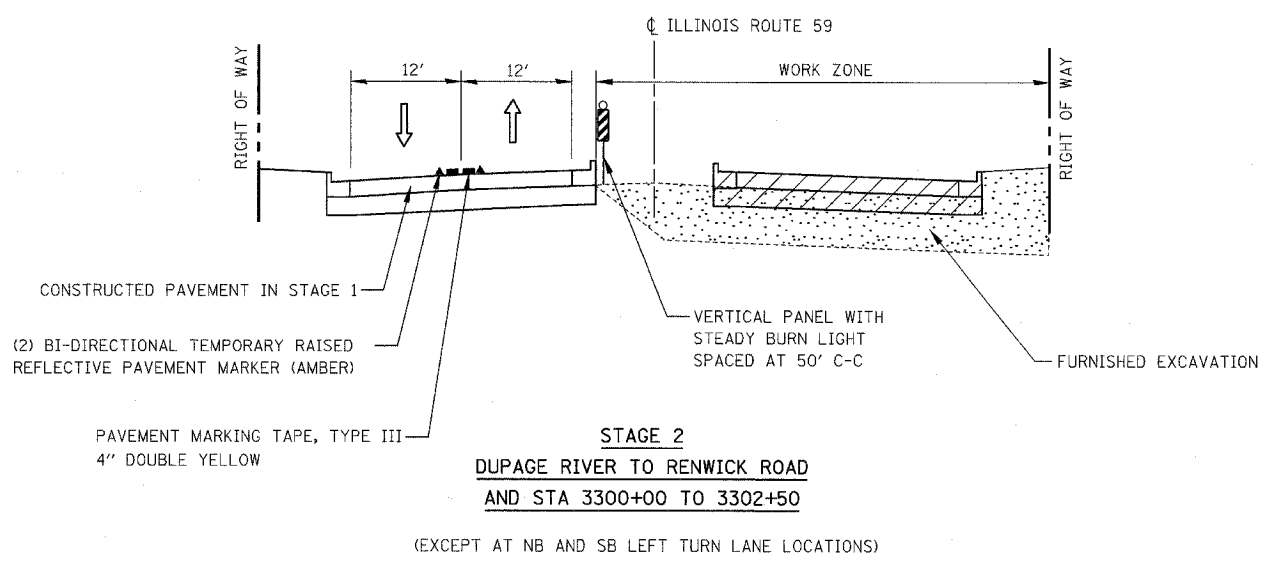


FAP SITE	SECTION	COUNTY	TOTAL SHEETS	SHEET NO.
338	(113 & 114) R-5	WILL	525	74
STA.	TO STA.			
FED. ROAD DIST. NO.	ILLINOIS	FAP 338 (IL RTE. 59)		



ILLINOIS DEPARTMENT OF TRANSPORTATION
 DISTRICT NO. 1 SCHAUMBURG
 MAINTENANCE OF TRAFFIC
 TYPICAL SECTIONS
 STAGE 2

SCALE NOT TO SCALE
 DATE MARCH 18, 2008
 DRAWN BY REW
 CHECKED BY HME

STA 3220+00 TO STA 3225+50 (ROLF ROAD)
 STA 3246+80 TO STA 3253+00 (DAYFIELD DRIVE)
 STA 3285+00 TO STA 3287+00 (COMMERCIAL ENTRANCE)