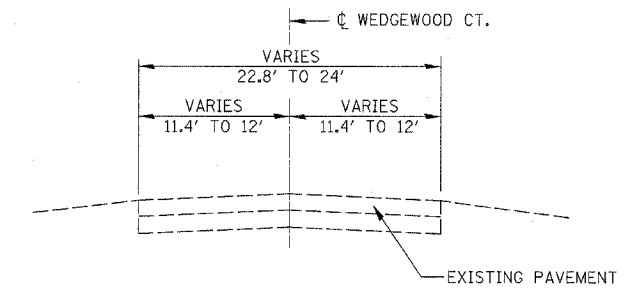
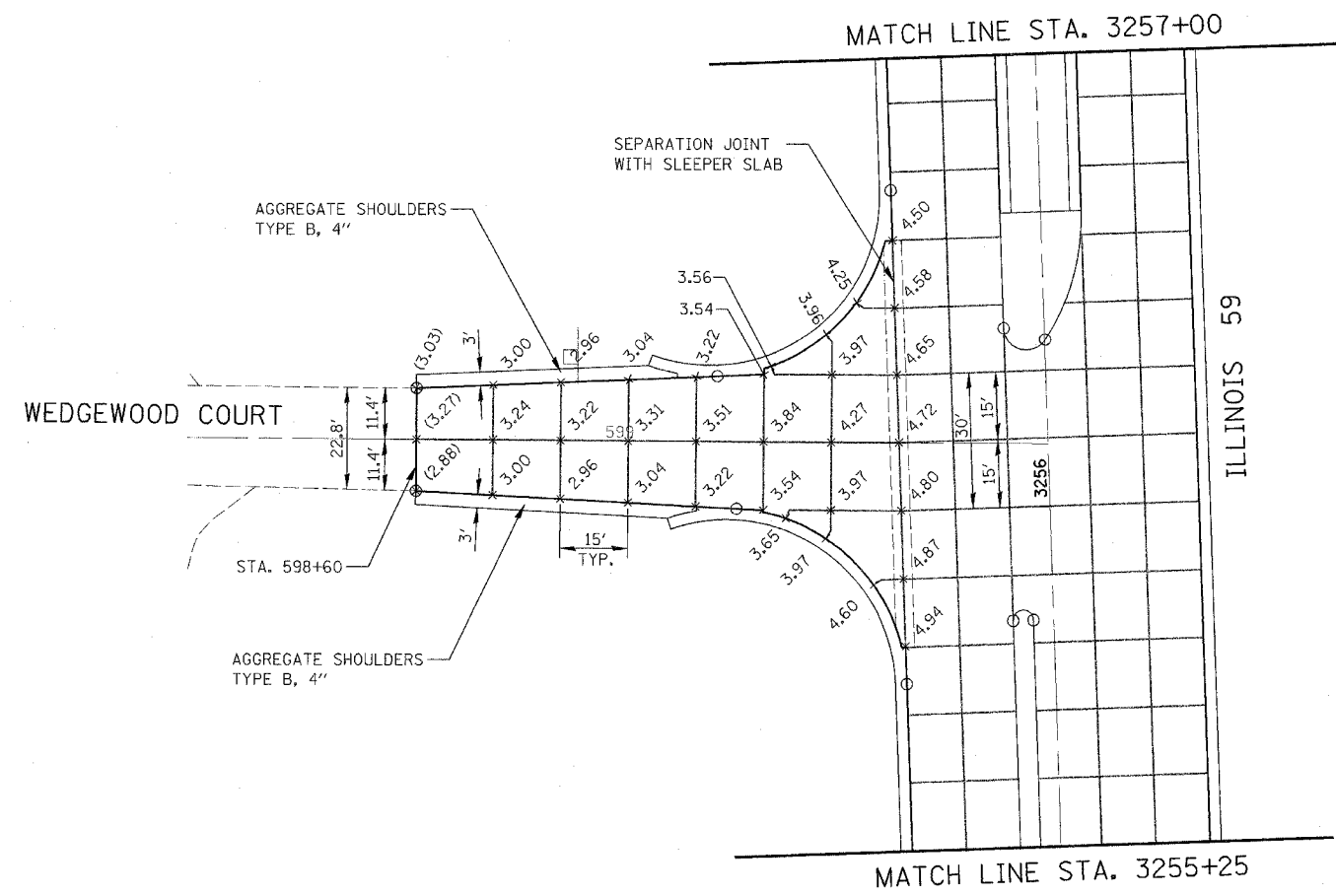


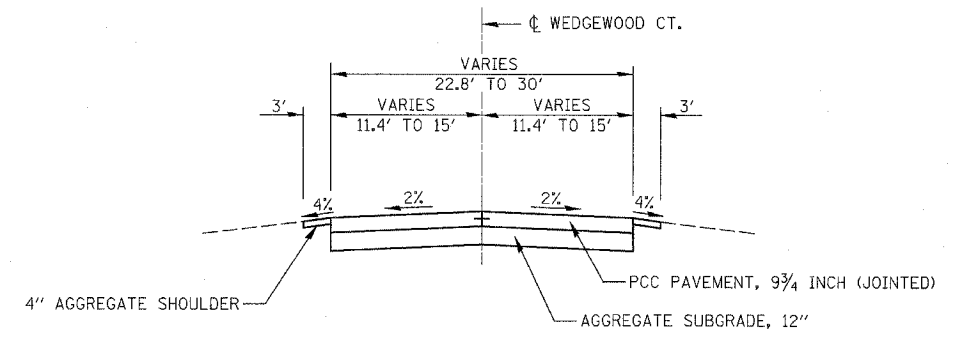
FAP DIST.	SECTION	COUNTY	TOTAL SHEETS	SHEET NO.
338	(113 & 114) R-5	WILL	525	220
STA.		TO STA.		
FED. ROAD DIST. NO.		ILLINOIS	FAP 338 (IL RTE. 59)	

PLAN	SURVEYED	DATE
	PLOTTED	
	CHECKED	
	BY	
	NO. OF WAY CHECKED	
	CADD FILE NAME	

PROFILE	SURVEYED	DATE
	PLOTTED	
	CHECKED	
	BY	
	NO. OF WAY CHECKED	
	STRUCTURE NOTATIONS CHK'D	

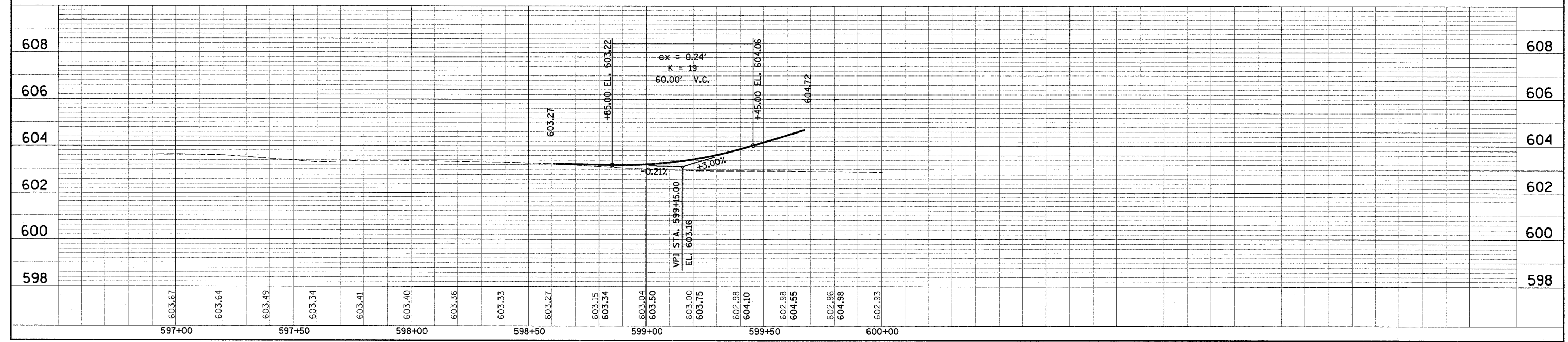
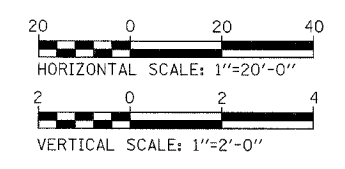


EXISTING WEDGEWOOD COURT TYPICAL SECTION



PROPOSED WEDGEWOOD COURT TYPICAL SECTION

**NOTE:**  
SEPERATION JOINT WITH SLEEPER SLAB SHALL BE CONSTRUCTED IN ACCORDANCE WITH IDOT DISTRICT 1 DETAIL BD-52.



INTERSECTION DETAILS - WEDGEWOOD COURT