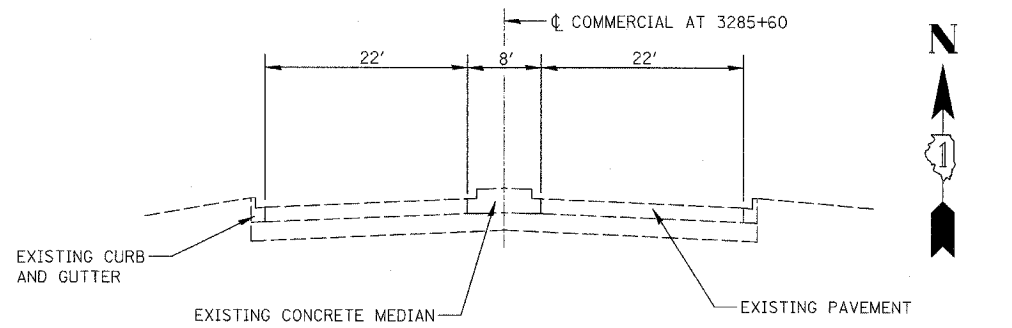
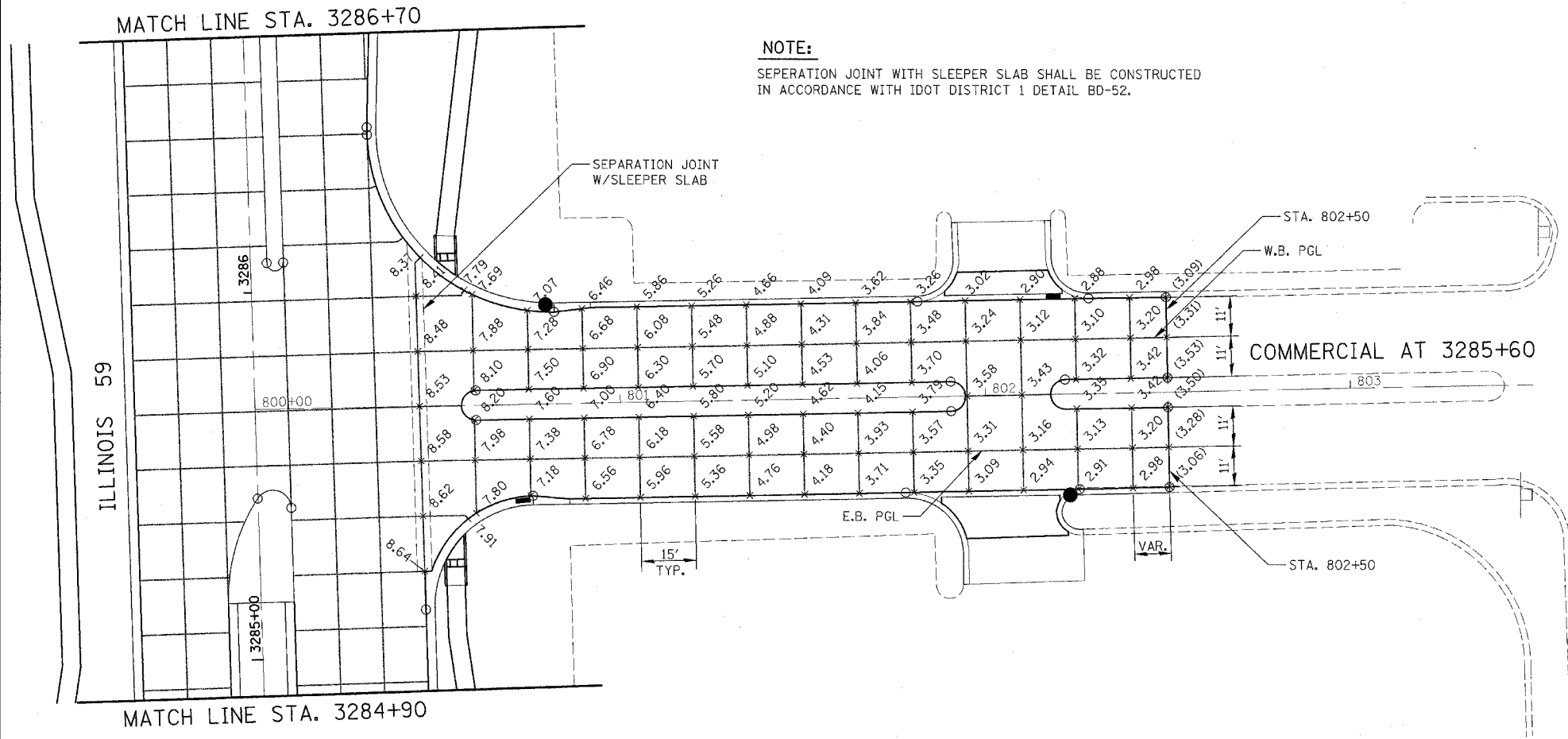


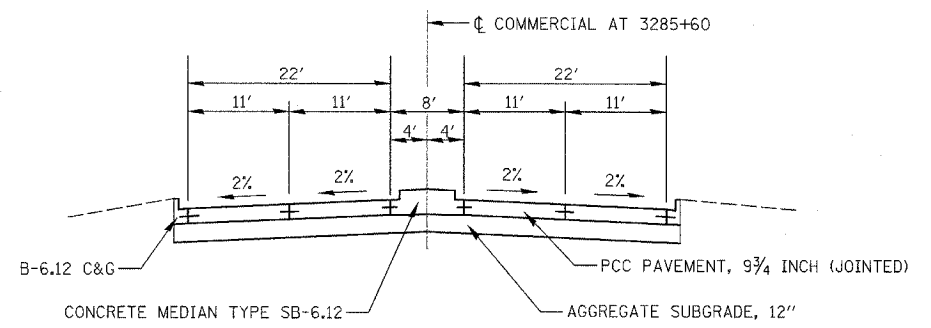
F.P. SHEET NO.	SECTION	COUNTY	TOTAL SHEETS	SHEET NO.
338	(113 & 114) R-5	WILL	525	222
STA. TO STA.		FAP 338 (IL RTE. 59)		

DATE	BY

DATE	BY



EXISTING COMMERCIAL @ 3285+60 TYPICAL SECTION



PROPOSED COMMERCIAL @ 3285+60 TYPICAL SECTION

