

FAP NO.	SECTION	COUNTY	TOTAL SHEETS	SHEET NO.
338	(113 & 114) R-5	WILL	525	225
STA.	TO STA.			
			FAP 338 (IL RTE. 59)	

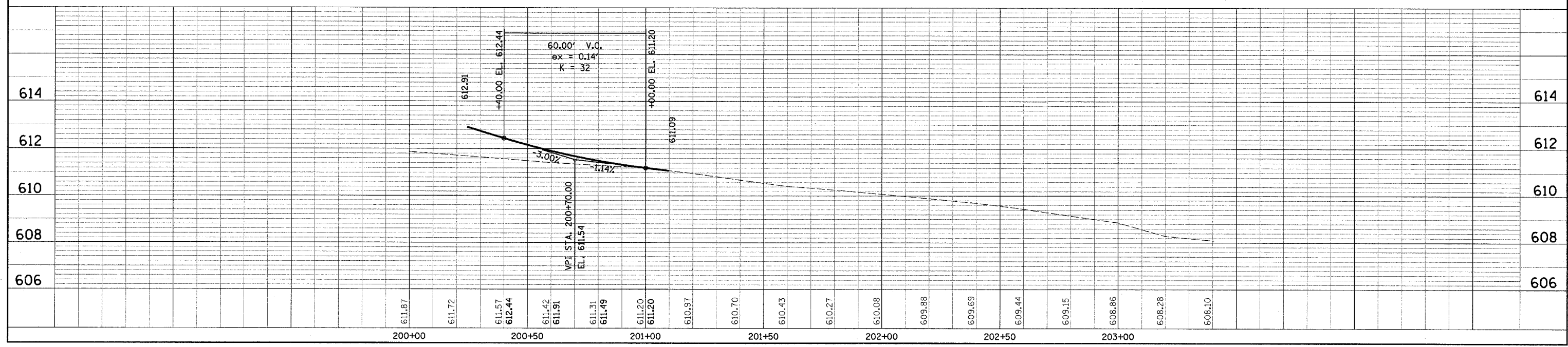
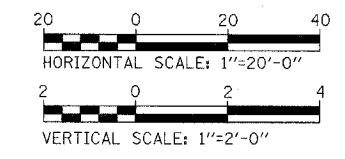
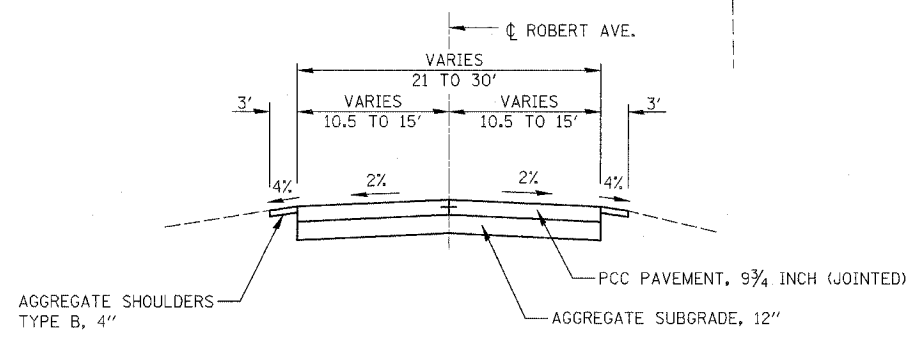
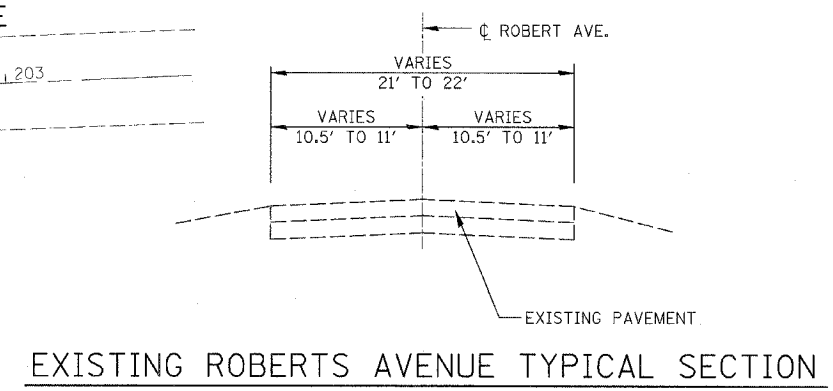
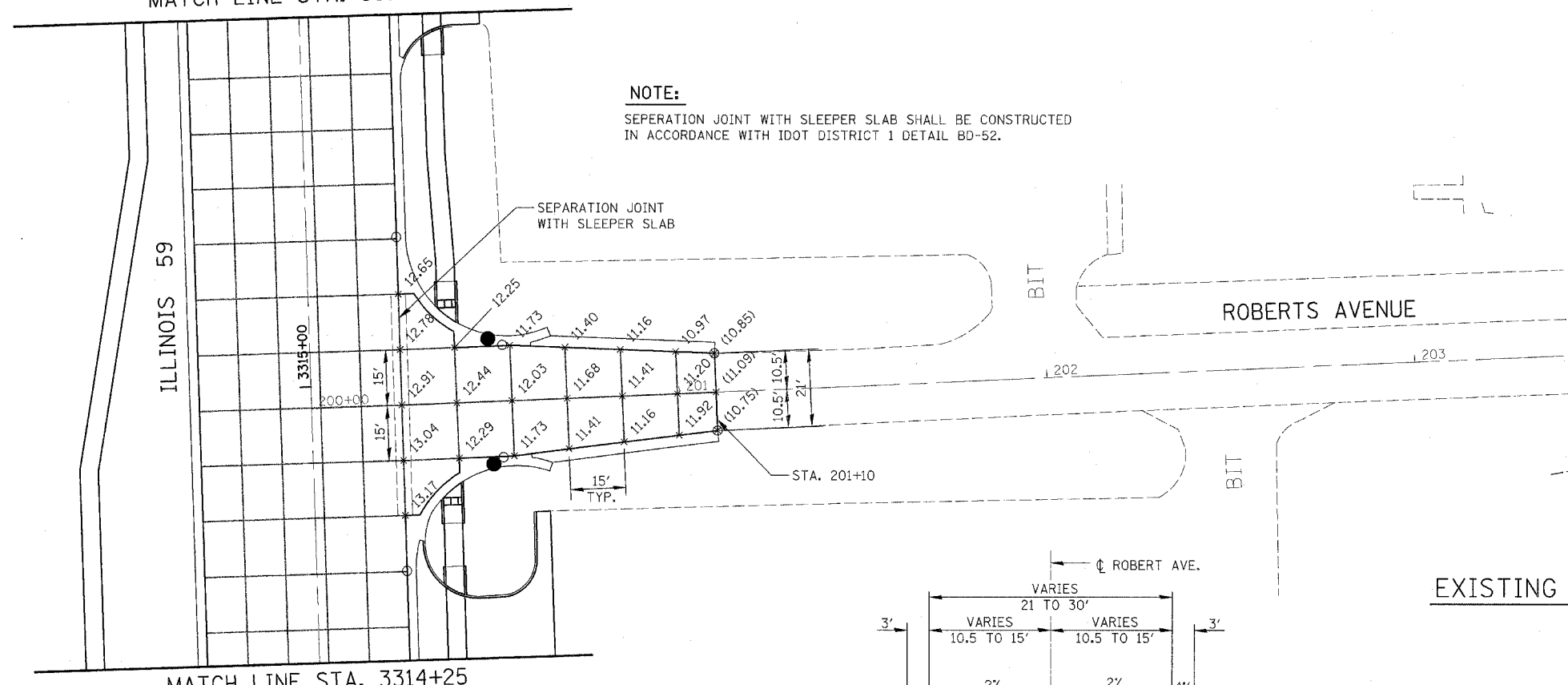
DATE	BY
DATE	BY
DATE	BY

DATE	BY
DATE	BY
DATE	BY

MATCH LINE STA. 3316+00

MATCH LINE STA. 3314+25

**NOTE:**  
SEPERATION JOINT WITH SLEEPER SLAB SHALL BE CONSTRUCTED IN ACCORDANCE WITH IDOT DISTRICT 1 DETAIL BD-52.



INTERSECTION DETAILS - ROBERTS AVENUE