

STRUCTURE TABLE									
NO.	STATION	OFFSET	TYPE	FRAME	RIM	N. INV.	S. INV.	E. INV.	W. INV.
173	NOT USED								
174	3261+40	43' LT	MH-A6	T1-CL	602.10		597.20	597.20	
175	3261+40	42' RT	MH-A6 R-PLT	2 - T1-CL	602.10			597.12	597.12
175A	3261+40	59' RT	FES-30	N/A	N/A			597.10	
176	3260+70	34' RT	IN-A	T-24	602.37				598.69
177	3260+70	35' LT	CB-A4	T-24	602.37			598.07	598.07
178	3261+60	43' LT	MH-A6	T1-CL	602.10	597.22		597.22	
179	3262+16	43' LT	MH-A6	T1-CL	602.00	597.28	597.28	597.34	
180	3262+01	35' LT	CB-A4	T-21	601.83	597.74			
181	3261+60	42' RT	MH-A6 R-PLT	2 - T1-CL	602.10			597.12	597.12
181A	3262+16	0' RT	CB-A4	T-8	602.60			597.68	597.68
181B	3261+60	59' RT	FES-30	N/A	N/A			597.10	
182	3262+16	35' RT	CB-A4	T-21	601.82	597.99	597.99		
183	3262+31	36.4' RT	CB-A4	T-21	601.83		598.11		
184	3262+16	35' LT	CB-A4	T-21	601.82		597.62	597.37	597.37
185	3263+21	43' LT	MH-A7	T1-CL	601.46	597.40	597.40	597.55	
186	3263+21	35' LT	CB-A4	T-24	602.23			597.58	597.58
187	3263+64	42.6' RT	IN-A	T-24	602.63				598.43
188	3266+50	45' LT	MH-A7	T1-CL	603.09	597.69	597.69	597.69	
189	3266+20	47' RT	IN-A	T-24	603.09				598.61
190	3267+65	34' RT	IN-A	T-24	603.29	599.64			
191	698+15	17.6' RT	IN-A	T-23	600.65	597.18			
192	698+15	19.8' LT	CB-A4	T-24	600.65	597.01	597.01		
193	698+15	29.1' LT	MH-A4	T1-CL	601.15		596.98		596.73
194	NOT USED								
195	3268+21	47' LT	CB-A4	T-24	603.24			598.39	598.39
196	3268+43	35' RT	CB-A4	T-24	603.63		599.20		599.20
197	NOT USED								
198	3268+21	55' LT	MH-A5	T1-CL	603.50	598.10	598.10	598.36	
199	3269+21	47' LT	CB-A4	T-24	603.69			598.89	598.89
200	3269+69	34' RT	IN-A	T-24	604.20				599.35
201	3270+21	55' LT	MH-A5	T1-CL	603.80	598.58	598.58	599.03	598.58
202	3270+21	44' LT	CB-A4	T-24	604.44				599.09
203	3270+21	67' LT	CB-C	T-8	599.90			598.67	
204	3272+21	56' LT	CB-C	T-8	600.5			599.16	
205	NOT USED								
206	3271+21	38' LT	CB-A4	T-24	604.89			599.72	599.39
207	3270+95	34' RT	IN-A	T-24	604.77				600.45
208	3272+21	43' LT	MH-A5	T1-CL	604.50	599.07	599.07	599.90	599.07
209	3272+21	35' LT	CB-A4	T-24	605.34			599.93	599.93
210	3272+21	34' RT	IN-A	T-24	605.34				600.55
211	NOT USED								
212	3273+47	35' LT	CB-A4	T-24	605.90			600.43	599.93
213	3272+21	0' RT	CB-A4	T-8	606.06			600.24	600.24
214	3273+47	34' RT	IN-A	T-24	605.90				601.09
214A	701+55	18' LT	IN-A	T-24	600.93		597.61		
214B	701+55	18' RT	CB-A4	T-24	600.93	597.46	597.46		
214C	701+67	33' RT	MH-A4	T1-CL	600.20	597.41		597.40	597.40
214D	NOT USED								
215A	701+30	29' LT	FES-18	N/A	N/A	598.03			
215B	701+35	30' LT	FES-24	N/A	N/A	597.65			
215C	701+40	30' LT	FES-24	N/A	N/A	597.74			

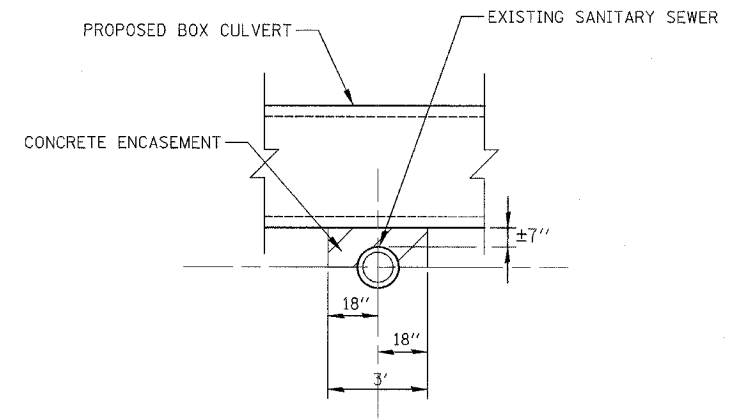
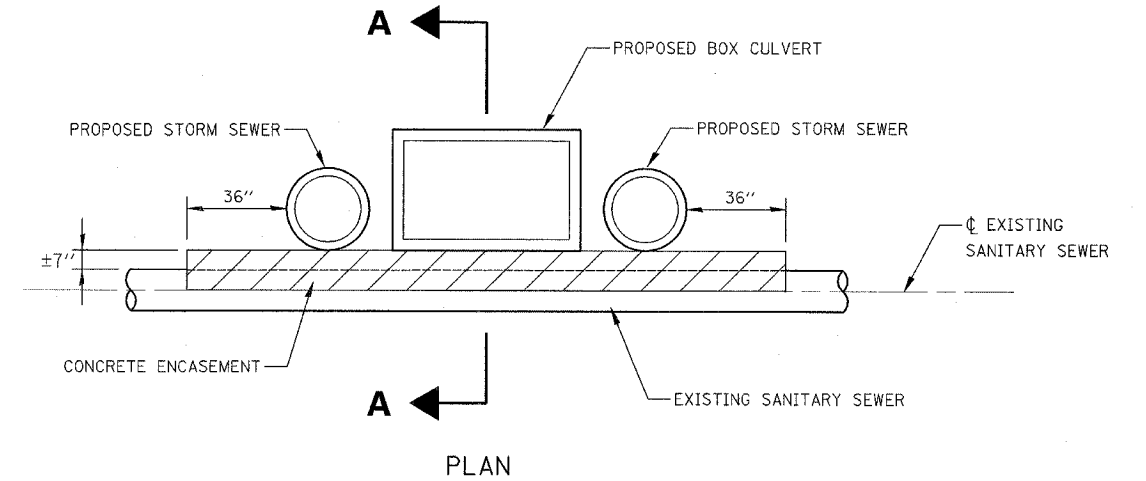
FLARED END SECTION SHALL BE INSTALLED WITH GRATE (SEE NOTE 1)

FLARED END SECTION SHALL BE INSTALLED WITH GRATE (SEE NOTE 1)

LOCATE 193 OVER EXISTING 12" STORM SEWER - VERIFY EXISTING 12" INVERT ELEVATION

LOCATE 214C OVER EXISTING 12" STORM SEWER - VERIFY EXISTING 12" INVERT ELEVATION

FLARED END SECTION SHALL BE INSTALLED WITH GRATE (SEE NOTE 1)  
 FLARED END SECTION SHALL BE INSTALLED WITH GRATE (SEE NOTE 1)  
 FLARED END SECTION SHALL BE INSTALLED WITH GRATE (SEE NOTE 1)



SECTION A-A  
 CONCRETE ENCASEMENT DETAIL

NOTE

- GRATES SHALL BE PAID FOR AT THE CONTRACT UNIT PRICE FOR GRATING FOR CONCRETE FLARED END SECTION, OF THE SPECIFIED DIAMETER.

ILLINOIS DEPARTMENT OF TRANSPORTATION  
 DISTRICT NO. 1 SCHAUMBURG

**STRUCTURE TABLE**  
 STA. 3260+00 TO STA. 3274+00

SCALE NONE  
 DATE MARCH 18, 2008

DRAWN BY REW  
 CHECKED BY JCM