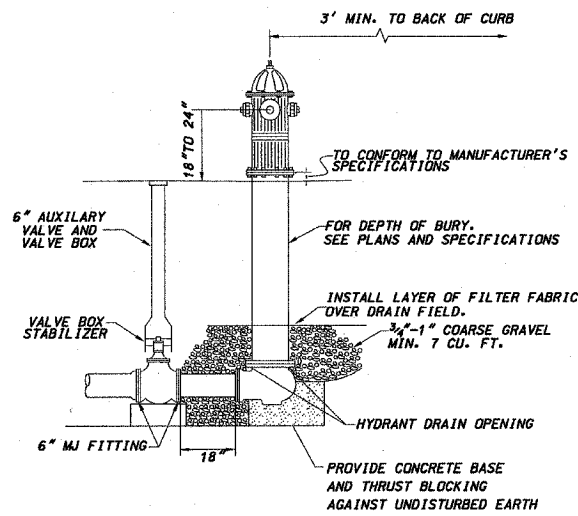


TYPICAL HYDRANT INSTALLATION

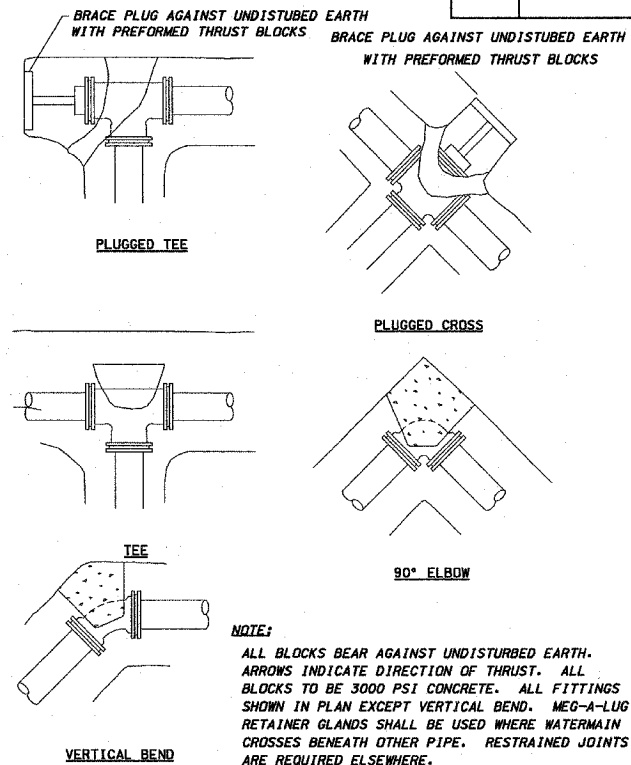
REVISIONS	
DATE	REVISION



NOTE: CONCRETE BASE AND BLOCKING MATERIAL SHALL NOT BLOCK NOR OBSTRUCT HYDRANT DRAIN AS SHOWN IN AWWA MANUAL M 17

THRUST BLOCK INSTALLATIONS

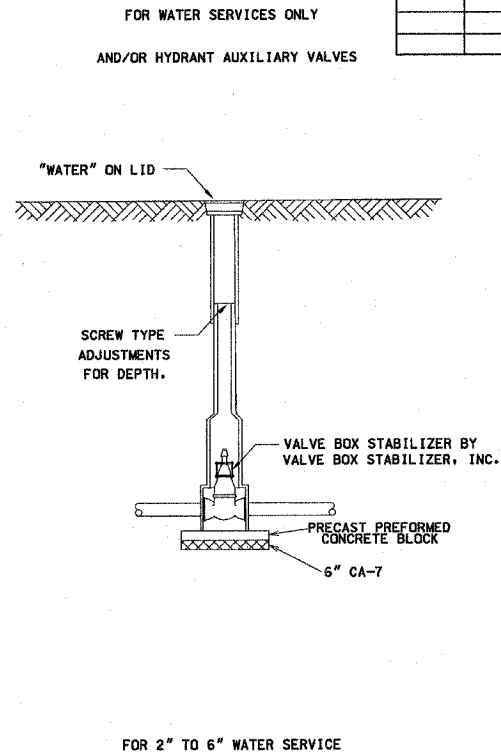
REVISIONS	
DATE	REVISION



NOTE: ALL BLOCKS BEAR AGAINST UNDISTURBED EARTH. ARROWS INDICATE DIRECTION OF THRUST. ALL BLOCKS TO BE 3000 PSI CONCRETE. ALL FITTINGS SHOWN IN PLAN EXCEPT VERTICAL BEND. MEG-A-LUG RETAINER GLANDS SHALL BE USED WHERE WATERMAIN CROSSES BENEATH OTHER PIPE. RESTRAINED JOINTS ARE REQUIRED ELSEWHERE.

VALVE BOX INSTALLATION

REVISIONS	
DATE	REVISION

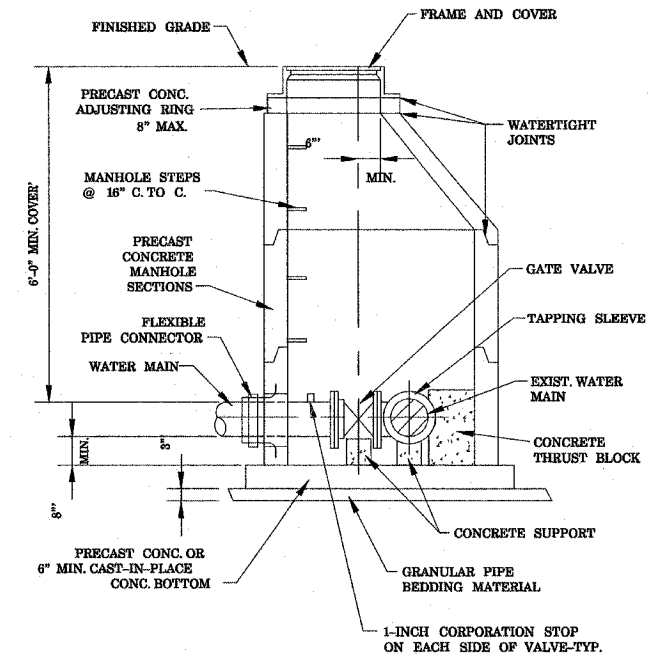


FOR 2" TO 6" WATER SERVICE

CONTRACT NO. 62417

FIP	SECTION	COUNTY	TOTAL SHEETS	SHEET NO.
338	(113 & 114) R-5	WILL	525	251
STA.		TO STA.		
FED. ROAD DIST. NO.		ALINDS	FAP 338 (IL RTE. 59)	

- NOTES:
- ECCENTRIC CONE REQUIRED
 - USE 4'-0" DIAMETER FOR WATER MAIN SIZES 4" THRU 8", USE 5'-0" DIAMETER FOR WATER MAIN SIZES 10" THRU 14", USE 6'-0" DIAMETER (OR LARGER AS INDICATED ON THE DRAWINGS) FOR WATER MAIN SIZES 16" OR GREATER.



PRESSURE CONNECTION WATER VALVE VAULT DETAIL

NO SCALE

PLAINFIELD WATER STANDARDS

3020

PLAINFIELD WATER STANDARDS

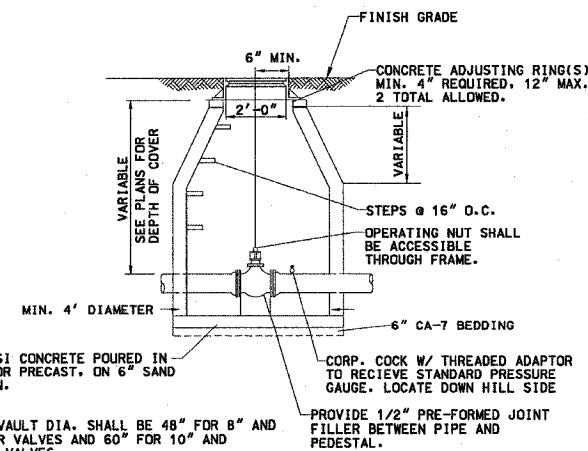
3040

PLAINFIELD WATER STANDARDS

3050

VALVE VAULT FOR WATERMAIN VALVES 8" AND LARGER

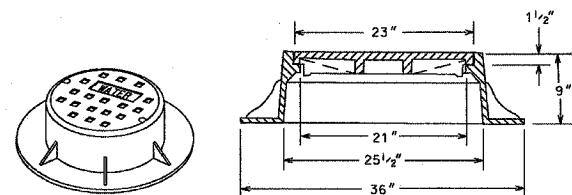
REVISIONS	
DATE	REVISION



NOTE: VALVE VAULT DIA. SHALL BE 48" FOR 8" AND SMALLER VALVES AND 60" FOR 10" AND LARGER VALVES.

VALVE VAULT FRAME AND COVER

REVISIONS	
DATE	REVISION



- THE FRAME AND LID SHALL BE EJIW 1051 FRAME OR NEENAH R-1712 FRAME WITH HEAVY DUTY GASKETED, SELF SEALING, CLOSED LID WITH CONCEALED PICKHOLES AND WATER CAST ON THE LID.
- THE FRAME AND LID SHALL BE SET ON A MASTIC BED WITH ALL GAPS TUCKPOINTED.

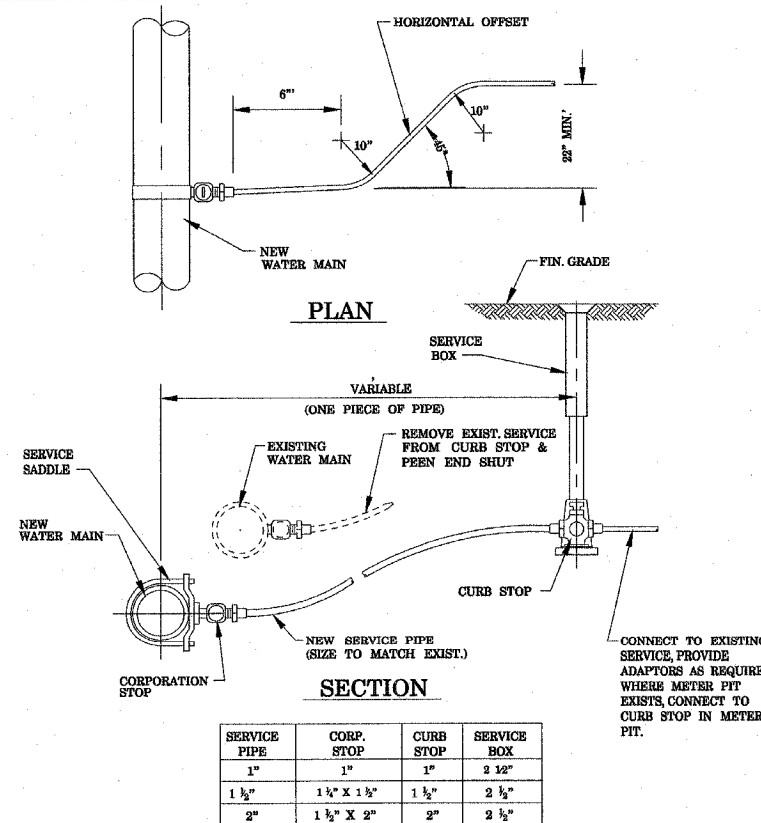
** ALL DIMENSIONS ARE FOR THE NEENAH MODELS. EJIW DIMENSIONS MAY VARY.

PLAINFIELD WATER STANDARDS

3060

PLAINFIELD WATER STANDARDS

3070



SERVICE PIPE	CORP. STOP	CURB STOP	SERVICE BOX
1"	1"	1"	2 1/2"
1 1/2"	1 1/4" X 1 1/2"	1 1/2"	2 1/2"
2"	1 1/2" X 2"	2"	2 1/2"

EXISTING WATER SERVICE RECONNECTION DETAIL

NO SCALE

