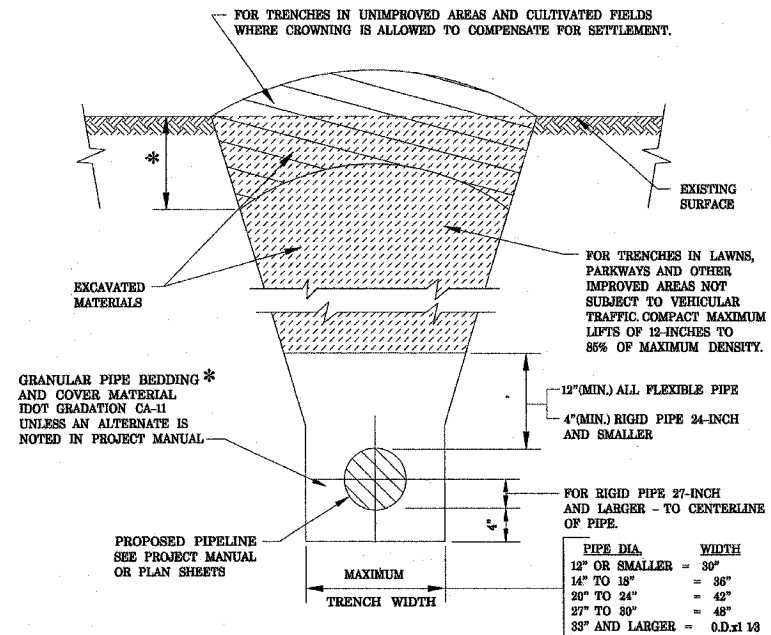


FAP RTE.	SECTION	COUNTY	TOTAL SHEETS	SHEET NO.
338	(113 & 114) R-5	WILL	525	252
STA.		TO STA.		
FED. ROAD DIST. NO.		ILLINOIS		FAP 338 (IL RTE. 59)

NOTE:
PROJECT MANUAL REFERS TO "PROJECT SPECIFICATIONS",
NOT TO IDOT STANDARD SPECIFICATIONS.

* FARM FIELDS, GARDENS, AND WETLAND AREAS MAY
REQUIRE STRIPPING, STOCKPILING, AND REPLACING
ORIGINAL MATERIAL TO A SPECIFIC DEPTH. SEE
PROJECT MANUAL OR GENERAL NOTES FOR REQUIREMENTS.



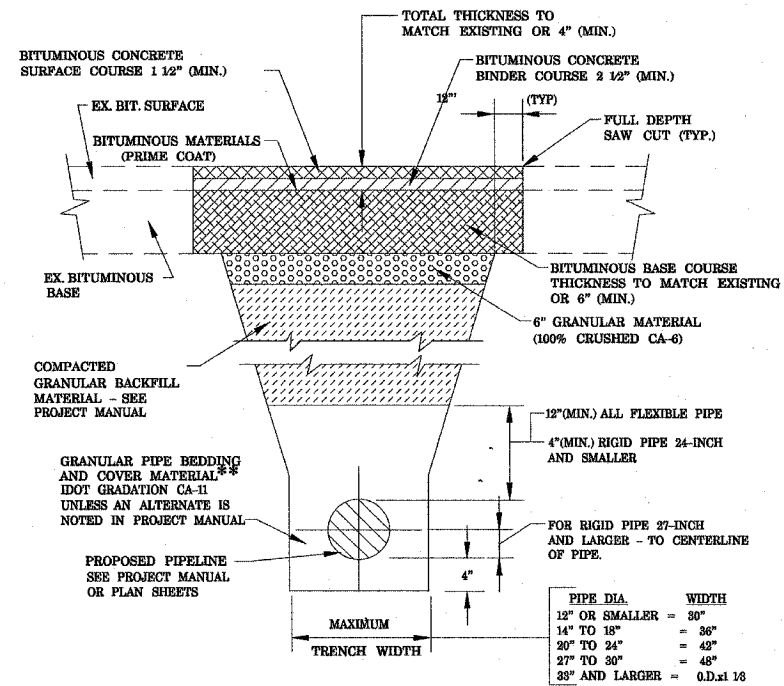
TYPICAL TRENCH DETAIL
NO SCALE

FOR NON-PAVED AREAS

* FOR FLEXIBLE THERMOPLASTIC OR HDPE PIPE COMPLY WITH
ASTM 2321, CLASS I OR II.

FOR RIGID PIPE COMPLY WITH ASTM C12, BEDDING CLASS B.

NOTE:
PROJECT MANUAL REFERS TO "PROJECT SPECIFICATIONS",
NOT TO IDOT STANDARD SPECIFICATIONS.

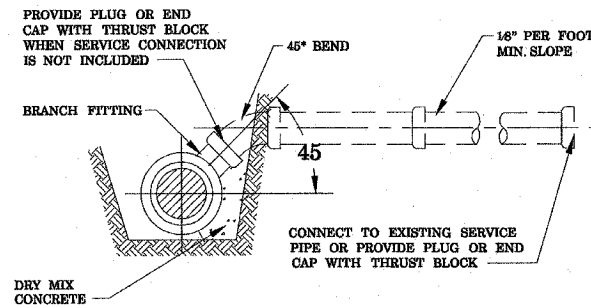


TYPICAL TRENCH DETAIL
NO SCALE

FOR PAVEMENT WITH BITUMINOUS BASE
AND COMPACTED GRANULAR BACKFILL MATERIAL

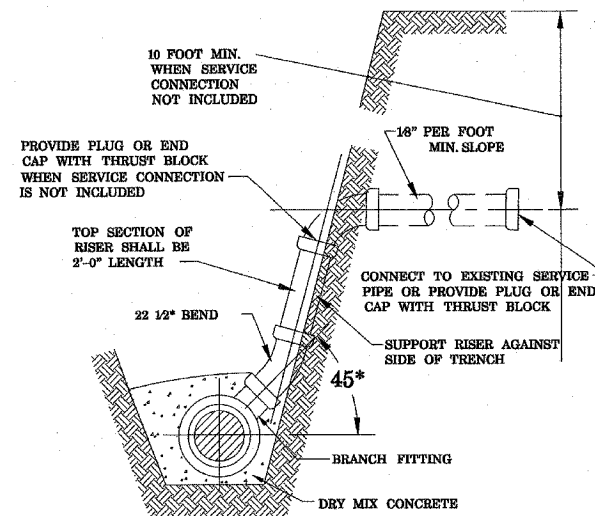
* FOR FLEXIBLE THERMOPLASTIC OR HDPE PIPE COMPLY WITH
ASTM 2321, CLASS I OR II.

FOR RIGID PIPE COMPLY WITH ASTM C12, BEDDING CLASS B.



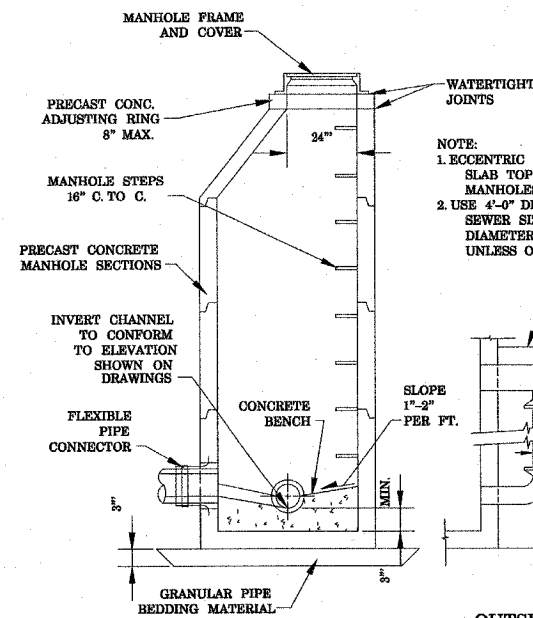
BUILDING SERVICE DETAIL

FOR SEWER INVERT DEPTHS TO 12 FEET



BUILDING SERVICE RISER DETAIL

FOR SEWER INVERT DEPTHS OVER 12 FEET



SANITARY MANHOLE DETAIL
NO SCALE

NOTE:
1. ECCENTRIC CONES REQUIRED, FLAT
SLAB TOPS PERMITTED ONLY FOR
MANHOLES TOO SHALLOW FOR CONES.
2. USE 4'-0" DIAMETER FOR
SEWER SIZES 8" THRU 21", 5'-0"
DIAMETER FOR SEWER SIZES 24" THRU 33",
UNLESS OTHERWISE NOTED.

CONCRETE ENCASUREMENT

"A" - DIAMETER OF INCOMING SEWER

"B" - DIAMETER OF DROP PIPE

WHEN: "A" = 12-INCH OR LESS,

"B" = "A" BUT NOT SMALLER THAN 8-INCH.

WHEN: "A" = GREATER THAN 12-INCH, BUT

LESS THAN OR EQUAL TO 18-INCH,

"B" = 12-INCH.

WHEN: "A" = GREATER THAN 18-INCH,

"B" = 20 "A" MINIMUM.

NOTE:
USE OUTSIDE DROP WHEN ANY ENTERING
SEWER INVERT DIFFERS BY 2'-0" OR
MORE FROM INVERT OF MANHOLE. MATCH
CROWN OF OUTLET PIPE WHERE OUTLET PIPE
IS 30-INCH DIA. OR SMALLER. SEE PLAN
SHEETS FOR INVERT ELEVATIONS FOR PIPE
SIZES LARGER THAN 30-INCH DIAMETER.

