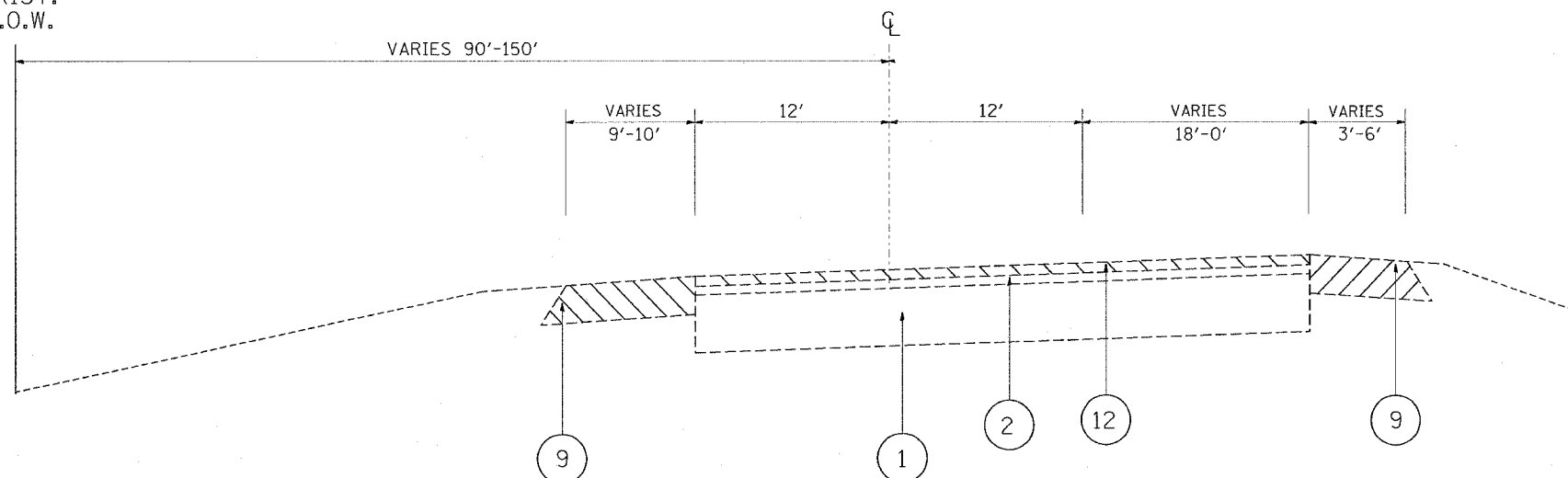


F.A.P. RTE.	SECTION	COUNTY	TOTAL SHEETS	SHEET NO.
345	BR-1-N-1	COOK	196	10
STA.		TO STA.		
FED. ROAD DIST. NO.	ILLINOIS	FED. AID PROJECT		

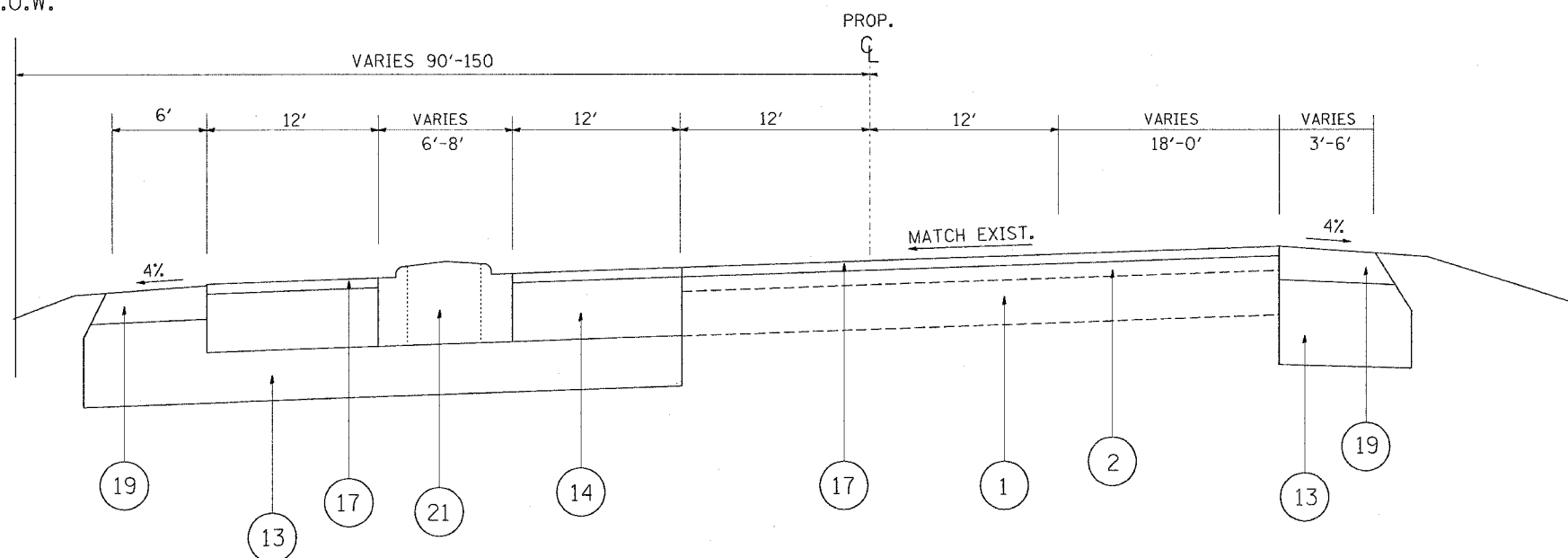
CONTRACT # 62617

EXIST.
R.O.W.



EXISTING TYPICAL SECTION
U.S. ROUTE 20
WESTBOUND LANES
STA. 216+22 TO STA. 226+45

EXIST.
R.O.W.



PROPOSED TYPICAL SECTION
U.S. ROUTE 20
WESTBOUND LANES
STA. 216+22 TO STA. 225+90

LEGEND

- ① EXISTING PCC PAVEMENT (US 20), ± 9 1/2"
- ② EXISTING HMA AFTER MILLING (US 20), ± 4 "
- ③ EXISTING PAVEMENT (SHALES PKWY), ± 11 1/4"
- ③A EXISTING PAVEMENT AFTER MILLING (SHALES PKWY), ± 8 3/4"
- ④ EXISTING PAVEMENT (BLUFF CITY BLVD), ± 7 1/2"
- ④A EXISTING PAVEMENT AFTER MILLING (BLUFF CITY BLVD), ± 5 "
- ⑤ EXISTING HOT-MIX ASPHALT SHOULDER
- ⑥ EXISTING AGGREGATE SHOULDER (SEE ROADWAY PLANS)
- ⑦ PROPOSED SUB-BASE GRANULAR MATERIAL, TYPE B
- ⑧ PROPOSED MEDIAN REMOVAL
- ⑨ PROPOSED PAVED SHOULDER REMOVAL
- ⑩ PROPOSED AGGREGATE SHOULDER REMOVAL (TO BE PAID AS EARTH EXC.)
- ⑪ PROPOSED COMB. CURB AND GUTTER REMOVAL
- ⑫ PROPOSED HOT-MIX ASPHALT SURFACE REMOVAL, 2"
- ⑬ PROPOSED AGGREGATE SUB-GRADE, 12"
- ⑭ PROPOSED HOT-MIX ASPHALT BASE COURSE WIDENING, 12" (US 20)- [3 LIFTS]
- ⑮ PROPOSED HOT-MIX ASPHALT BASE COURSE WIDENING, 7 3/4" (SHALES PKWY)- [3 LIFTS]
- ⑯ PROPOSED HOT-MIX ASPHALT BASE COURSE WIDENING, 10 3/4" (BLUFF CITY BLVD)- [3 LIFTS]
- ⑰ PROPOSED POLY. HOT-MIX ASPHALT SURFACE COURSE MIX "F", N90, 2"
- ⑱ PROPOSED LEVELING BINDER (MACHINE METHOD), N70 (MIN. 3/4" AND VARIES) (Sta. 90+00 to Sta. 92+02.9 on US 20)
- ⑲ PROPOSED HOT-MIX ASPHALT SHOULDER, 8"
- ⑳ PROPOSED RETAINING WALL (SEE ROADWAY PLANS)
- ㉑ PROPOSED CONCRETE MEDIAN, TYPE SB-6.24
- ㉒ PROPOSED COMB. CONC. CURB & GUTTER TY. B-6.24
- ㉓ PROPOSED COMB. CONC. CURB & GUTTER TY. M-4.12
- ㉔ PROPOSED AGGREGATE SHOULDER, TYPE B, 6"
- ㉕ PROPOSED CONCRETE MEDIAN SURFACE 4"
- ㉖ PROPOSED COMB. CONC. CURB & GUTTER TY. M-4.24

PLOT DATE = 11/15/2007
 PLOT SCALE = 43.5591' / IN.
 REFERENCE = #REF#

REVISIONS		ILLINOIS DEPARTMENT OF TRANSPORTATION U.S. ROUTE 20 @ SHALES PARKWAY EXISTING/ PROPOSED TYPICAL SECTIONS
NAME	DATE	
		SCALE: VERT. HORIZ. DATE
DRAWN BY		CHECKED BY