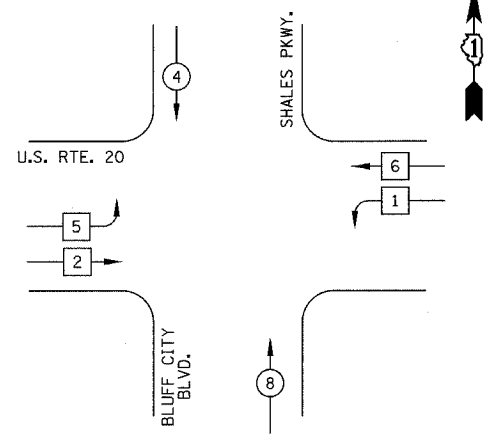
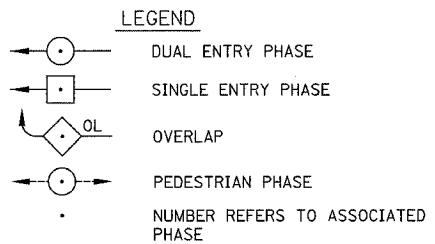
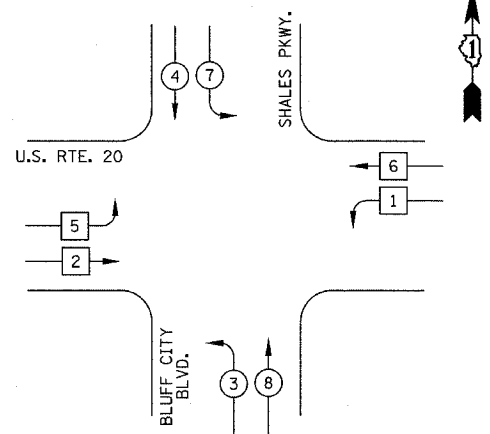


F.A.P. RTE.	SECTION	COUNTY	TOTAL SHEETS	SHEET NO.
345	BR-1-N-1	COOK	196	78
STA.		TO STA.		
FED. ROAD DIST. NO. 7 ILLINOIS FED. AID PROJECT				

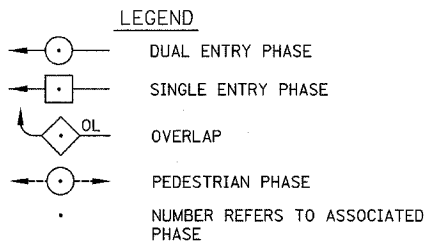
TEMPORARY CONTROLLER SEQUENCE STAGE I CONSTRUCTION



TEMPORARY CONTROLLER SEQUENCE STAGE II CONSTRUCTION

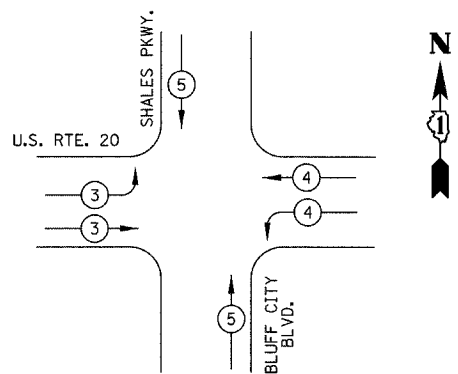


TEMPORARY PHASE DESIGNATION DIAGRAM



TEMPORARY PHASE DESIGNATION DIAGRAM

TEMPORARY EMERGENCY VEHICLE PREEMPTION SEQUENCE



PROPOSED EMERGENCY VEHICLE PREEMPTORS				
EMERGENCY VEHICLE PREEMPTOR	3	4	5	
MOVEMENT				

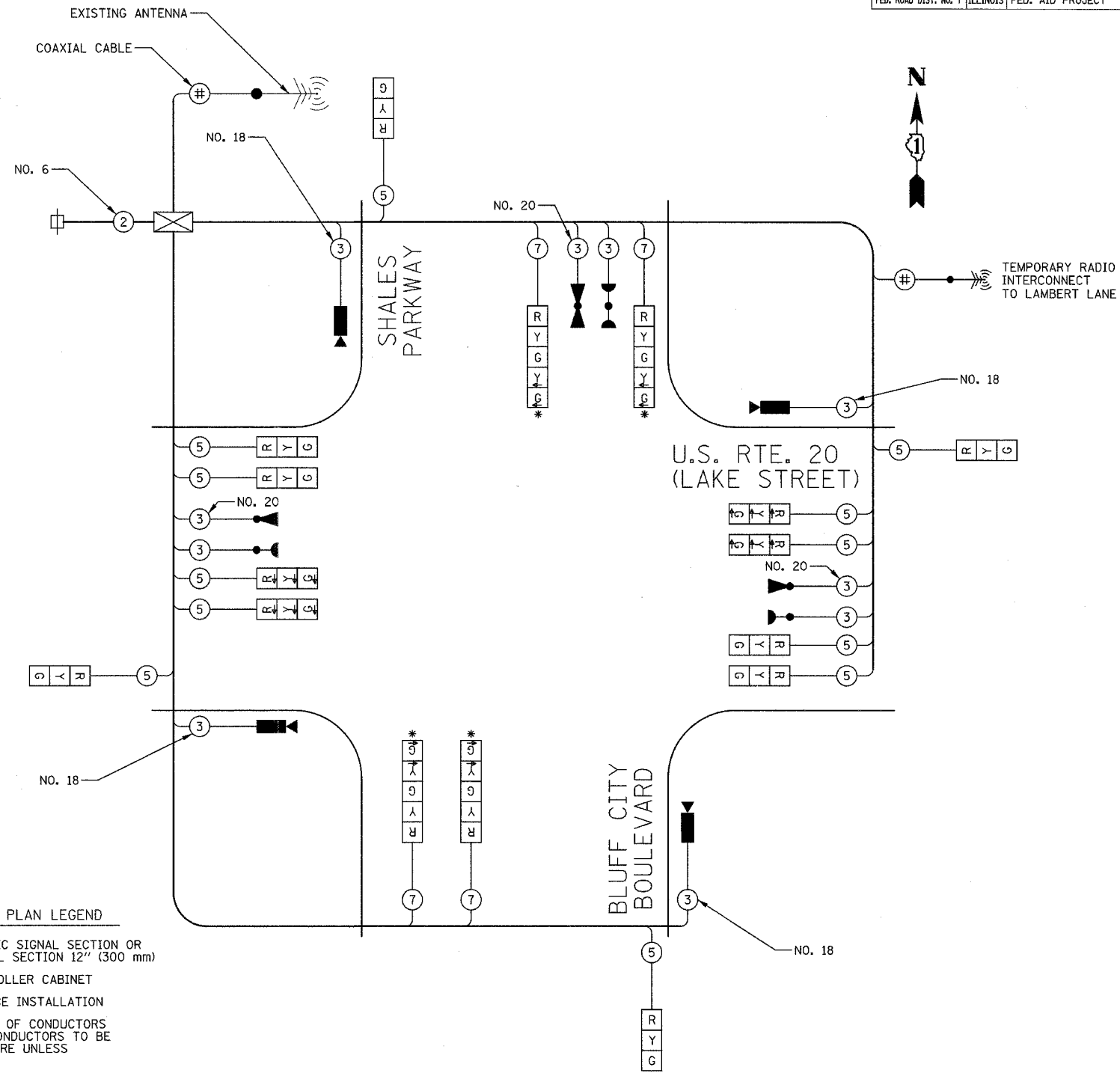
I.D.O.T. TRAFFIC SIGNAL INSTALLATION ELECTRICAL SERVICE REQUIREMENTS					TOTAL WATTAGE
TYPE	NO. LAMPS	WATTAGE		% OPERATION	
		INCAND.	LED		
SIGNAL (RED)	16	17		0.50	136
(YELLOW)	16		25	0.25	100
(GREEN)	16		15	0.25	60
ARROW	8		12	0.10	10
CONTROLLER	1		100	1.00	100
VIDEO SYSTEMS	1		150	1.00	150
TOTAL =					556
FLASHER					0.50

ENERGY COSTS TO: ILLINOIS DEPARTMENT OF TRANSPORTATION
201 WEST CENTER COURT
SCHAUMBURG, IL 60196-1096

ENERGY SUPPLY: CONTACT: CHRISTIE BUTTS
PHONE: (847) 608-2331
COMPANY: COM ED

TEMPORARY CABLE PLAN LEGEND

- TEMPORARY TRAFFIC SIGNAL SECTION OR PEDESTRIAN SIGNAL SECTION 12" (300 mm)
- TEMPORARY CONTROLLER CABINET
- TEMPORARY SERVICE INSTALLATION
- INDICATES NUMBER OF CONDUCTORS IN CABLE. ALL CONDUCTORS TO BE NUMBER 14 AWG WIRE UNLESS OTHERWISE NOTED.
- EMERGENCY VEHICLE LIGHT DETECTOR
- CONFIRMATION BEACON
- PEDESTRIAN PUSHBUTTON DETECTOR
- VEHICLE DETECTOR, INDUCTION LOOP
- 12" (300mm) PEDESTRIAN SIGNAL SECTION
- VIDEO VEHICLE DETECTOR
- ANTENNA
- COAXIAL CABLE



TEMPORARY CABLE PLAN NOT TO SCALE

* THE LEFT TURN INDICATIONS ON THIS SIGNAL HEAD SHALL BE BAGGED AND DISCONNECTED DURING STAGE I OF CONSTRUCTION.

NOTE: THE TRAFFIC SIGNAL CONTROLLER EQUIPMENT FOR THIS PROJECT SHALL BE "EAGLE" TO MATCH THE EXISTING ADJACENT SYSTEM.

REVISIONS	
NAME	DATE

ILLINOIS DEPARTMENT OF TRANSPORTATION
TEMPORARY CABLE PLAN,
PHASE DESIGNATION DIAGRAM
& EMERGENCY VEHICLE
PREEMPTION SEQUENCE

U.S. RTE. 20 (LAKE STREET) &
SHALES PKWY./BLUFF CITY BLVD.

SCALE: NOT TO SCALE
DATE: 12/14/2007

DRAWN BY: CEC
DESIGNED BY: BRD
CHECKED BY: JUE