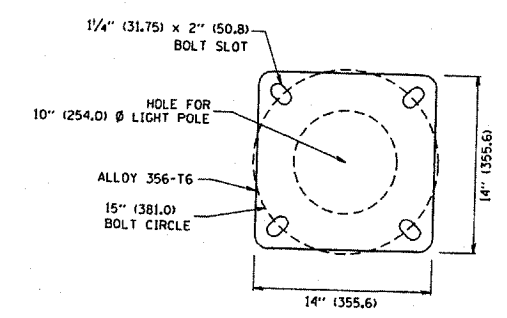
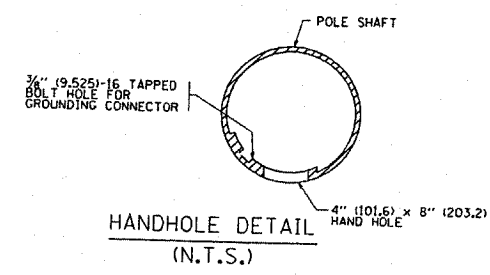


CONTRACT NO.			
F.A. RTE.	SECTION	COUNTY	TOTAL SHEET NO.
345	2R-1-N-1	Cook	196 113A
STA.		TO STA.	
FED. ROAD DIST. NO.		ILLINOIS FED. AID PROJECT	

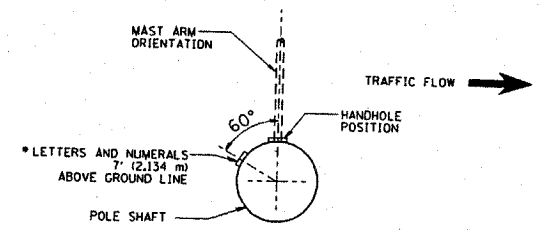
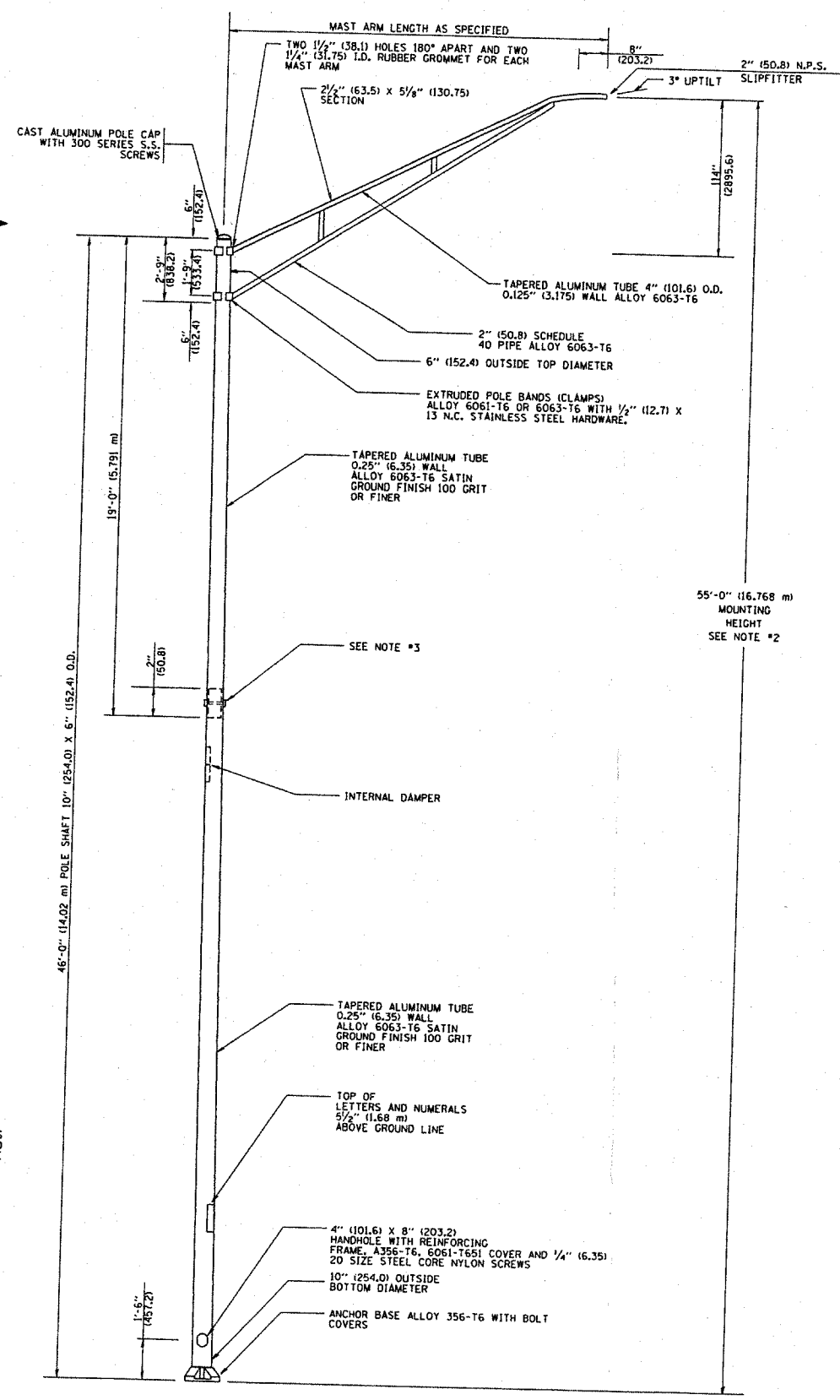
- NOTES:
1. ALL DIMENSIONS ARE IN INCHES (MILLIMETERS) UNLESS OTHERWISE SHOWN.
  2. MOUNTING HEIGHT IS DEFINED AS THE DISTANCE FROM THE CENTERLINE OF THE TENON TO THE BOTTOM OF THE ANCHOR BASE.
  3. TWO PIECE SHAFT WILL BE MATCHED MARKED AND INTERCHANGEABLE BETWEEN DIFFERENT UNITS. FIELD DRILLING OF THE HOLES WILL NOT BE ALLOWED.
  4. THE LIGHT POLE WILL MEET AASHTO DESIGN CRITERIA AS SPECIFIED.
  5. THE INSTALLING CONTRACTOR WILL PROVIDE A UL LISTED GROUNDING CONNECTOR, BURNDY K2C23, T&B SP4DL OR APPROVED EQUAL.
  6. LIGHT POLES WILL NOT BE INSTALLED WITHOUT MAST ARMS AND LUMINAIRES.
  7. LIGHT POLES WILL BE SET PLUMB ON THE FOUNDATION WITHOUT THE USE OF LEVELING NUTS, WASHERS OR SHIMS.
  8. LIGHTING UNIT IDENTIFICATION NUMBERS SHALL BE INSTALLED BEFORE THE LIGHTING UNIT IS ENERGIZED.



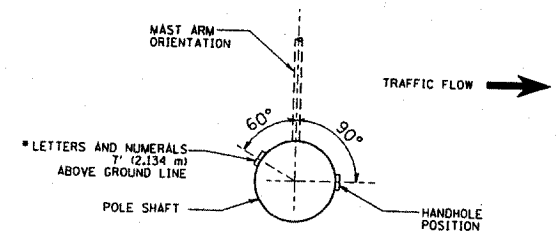
LIGHT POLE BASE PLATE DETAIL  
15 INCH (381.0) BOLT CIRCLE



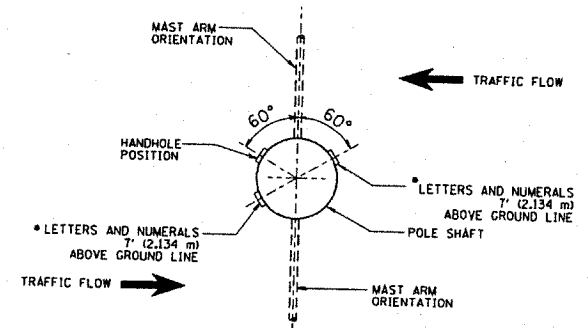
HANDHOLE DETAIL  
(N.T.S.)



POSITION OF HANDHOLE AND POLE NUMBER FOR SINGLE MAST ARM POLES MOUNTED ON BRIDGE PARAPET OR BARRIER WALL



POSITION OF HANDHOLE AND POLE NUMBER FOR SINGLE MAST ARM POLES



POSITION OF HANDHOLE AND POLE NUMBER FOR TWIN MAST ARM POLES

PLOT DATE : 3/27/2008  
FILE NAME : I:\projects\24-36\new\481.dgn  
PLOT SCALE : 50.000 / IN  
USER NAME : bward

REVISIONS	
NAME	DATE

BE-404  
ILLINOIS DEPARTMENT OF TRANSPORTATION  
ALUMINUM LIGHT POLE  
55'-0" (16.768 m)  
MOUNTING HEIGHT  
SCALE: NONE  
DRAWN BY  
CHECKED BY