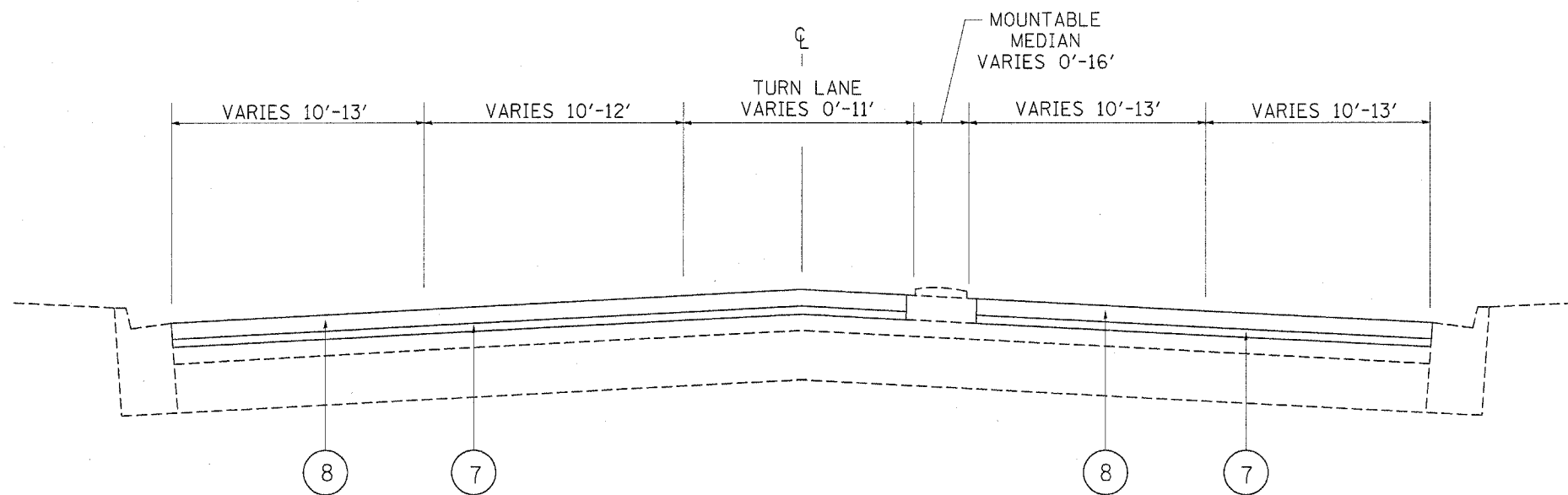


EXISTING TYPICAL SECTION
 RIEGLE ROAD
 STA. 105+08 TO STA. 111+05



PROPOSED TYPICAL SECTION
 RIEGLE ROAD
 STA. 105+08 TO STA. 111+05

LEGEND

- ① EXISTING PCC PAVEMENT, ±9"
- ② EXISTING HMA SURFACE COURSE, ±5"
- ③ EXISTING AGGREGATE SHOULDER
- ④ EXISTING CURB AND GUTTER, TYPE B 6.12
- ⑤ EXISTING MOUNTABLE MEDIAN
- ⑥ PROPOSED HOT-MIX ASPHALT SURFACE REMOVAL, 2 1/4"
- ⑦ PROPOSED POLYMERIZED LEVELING BINDER (MACHINE METHOD), IL-4.75, N50, 3/4"
- ⑧ PROPOSED HOT-MIX ASPHALT CONCRETE SURFACE COURSE, MIX "D", N70, 1 1/2"
- ⑨ AGGREGATE SHOULDERS, TYPE B

FILE NAME =	USER NAME = *USER*	DESIGNED -	REVISED -	STATE OF ILLINOIS DEPARTMENT OF TRANSPORTATION	FAU 2860/ RIEGLE ROAD RIDGE RD. TO JOE ORR RD. TYPICAL SECTION	F.A.U. RTE.	SECTION	COUNTY	TOTAL SHEETS	SHEET NO.
FILEL	DRAWN -	REVISED -	2860			2004-047 RS	COOK	34	5	
PLOT SCALE = *SCALE*	CHECKED -	REVISED -	CONTRACT NO. 62765							
PLOT DATE = *DATE*	DATE -	REVISED -	SCALE:			SHEET NO. 1 OF 3 SHEETS	STA. TO STA.	FED. ROAD DIST. NO. 1 ILLINOIS FED. AID PROJECT		