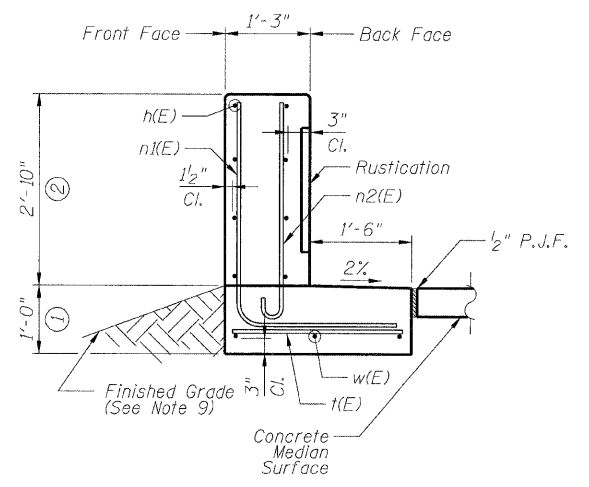
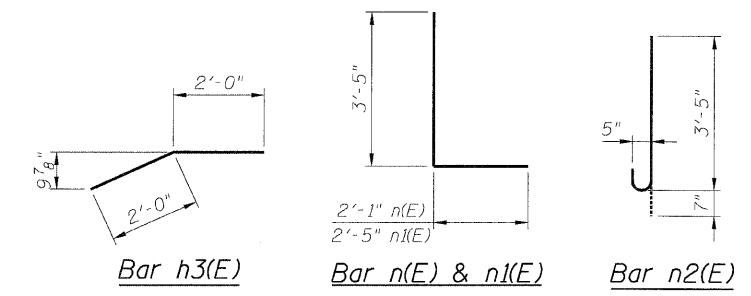
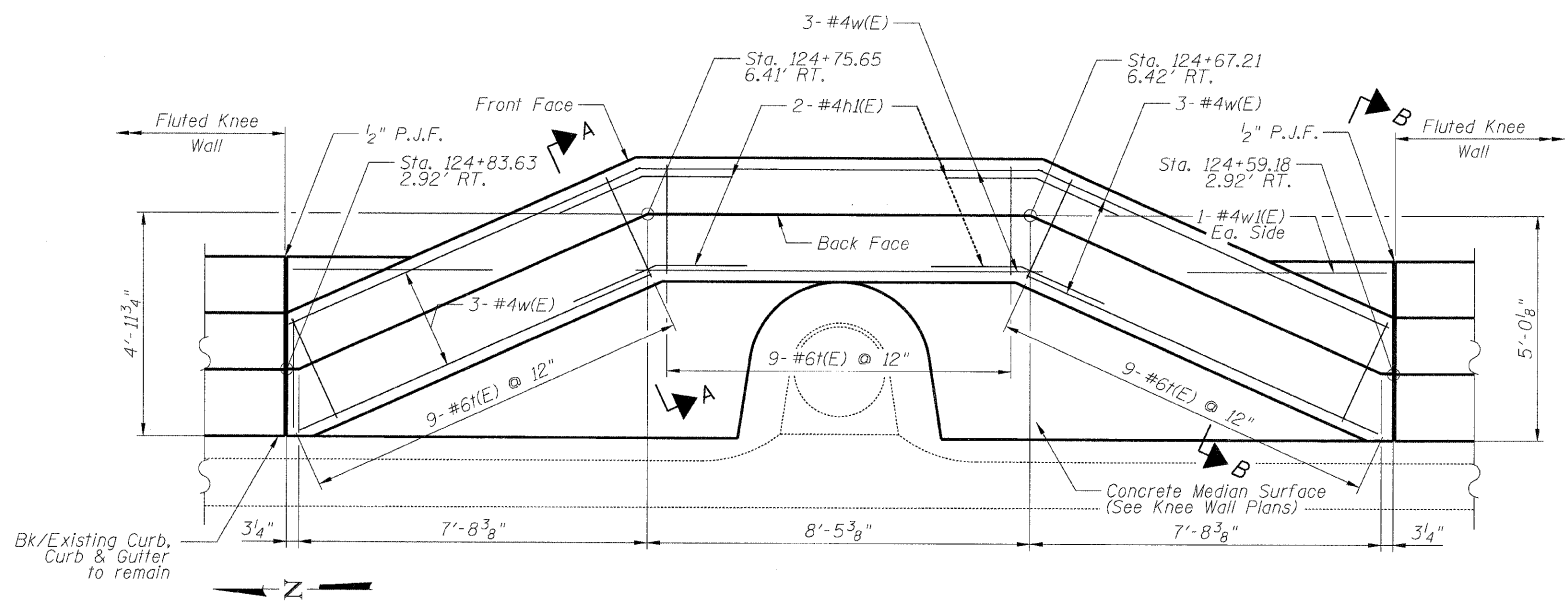
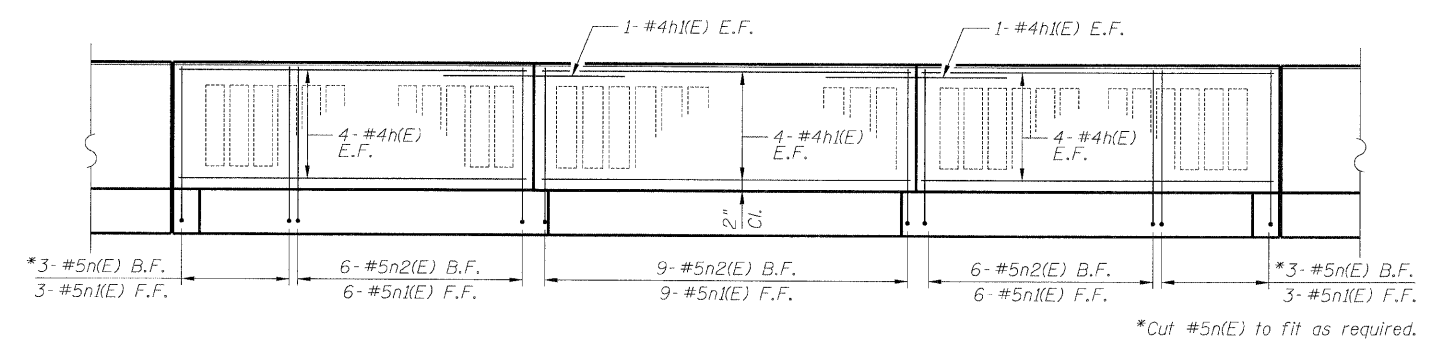


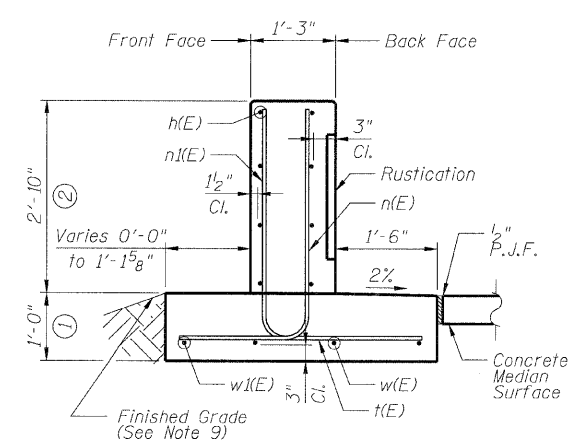
F.A.I.	SECTION	COUNTY	TOTAL SHEETS	SHEET NO.
94/90	*	COOK	38	20
STA.	TO STA.			
FED. ROAD DIST. NO.	ILLINOIS	FED. AID PROJECT		
62998	• (2323.6-2P&2324.6-1P1)-3			

DETAIL E REINFORCEMENT SCHEDULE AND BILL OF MATERIAL

Bar	No.	Size	Length	Shape
h(E)	24	#4	9'-0"	—
h1(E)	8	#4	4'-0"	—
n(E)	6	#5	5'-6"	L
n1(E)	27	#5	5'-10"	L
n2(E)	21	#5	4'-0"	—
l(E)	27	#6	2'-5"	—
w(E)	9	#4	9'-0"	—
w1(E)	2	#4	4'-6"	—
Item	Unit	Qty.		
① Concrete Structures	Cu. Yd.	2.8		
② Concrete Superstructure	Cu. Yd.	3.4		
Reinforcement Bars, Epoxy Coated	Pound	610		
Rustication Finish	Sq. Ft.	41		
Protective Coat	Sq. Yd.	16		



SECTION A-A



SECTION D-D

NOTES:

- All stations and offsets measured from S. Wentworth Ave. @.
- Concrete: f'c = 3500 psi
- Provide California Finish on top of foundation between stem and Frontage Road. See Roadway Details
- At locations where Fluted Knee Wall abuts a rigid Structure, a 1" thick Preformed Expansion Joint Filler conforming to the shape of the Structure shall be installed between the Wall and the Structure.
- Apply Protective Coat to top and front face of stem and top of Frontage Road side of foundation.
- For Fluted Knee Wall standard details, see Sheet SD-1
- B.F. = Back Face
F.F. = Front Face
E.F. = Each Face
- Shape finished grade as required to match existing conditions.
- P.J.F. included in cost of concrete structures.

BOWMAN, BARRETT & ASSOCIATES INC.
CONSULTING ENGINEERS
Chicago, Illinois
312.228.0100
www.bbainc.com

REVISIONS	
NAME	DATE
REVISED	3-6-08

ILLINOIS DEPARTMENT OF TRANSPORTATION
F.A.I. 94/90 (DAN RYAN EXPRESSWAY)
SOUTHBOUND KNEE WALLS (PERSHING RD TO 35TH ST)

DETAIL E

SCALE: N.T.S.
DATE: 03/06/08

DRAWN BY: PAH
CHECKED BY: BLU

W:\660\94090\94090\320\SHEET\SD-4.DWG 3/6/2008 7:07:44 PM