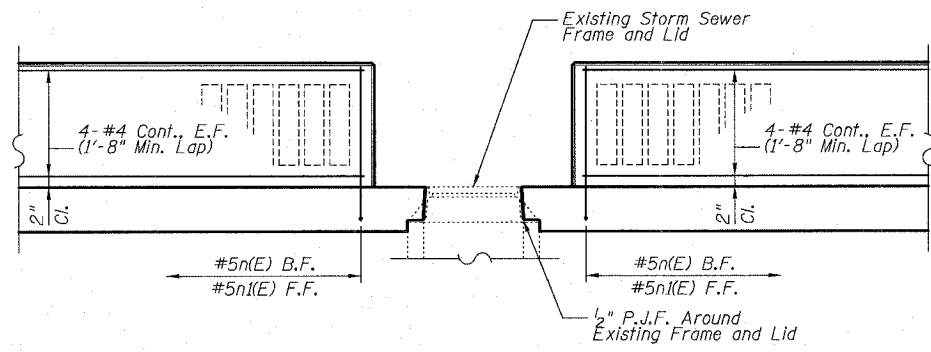
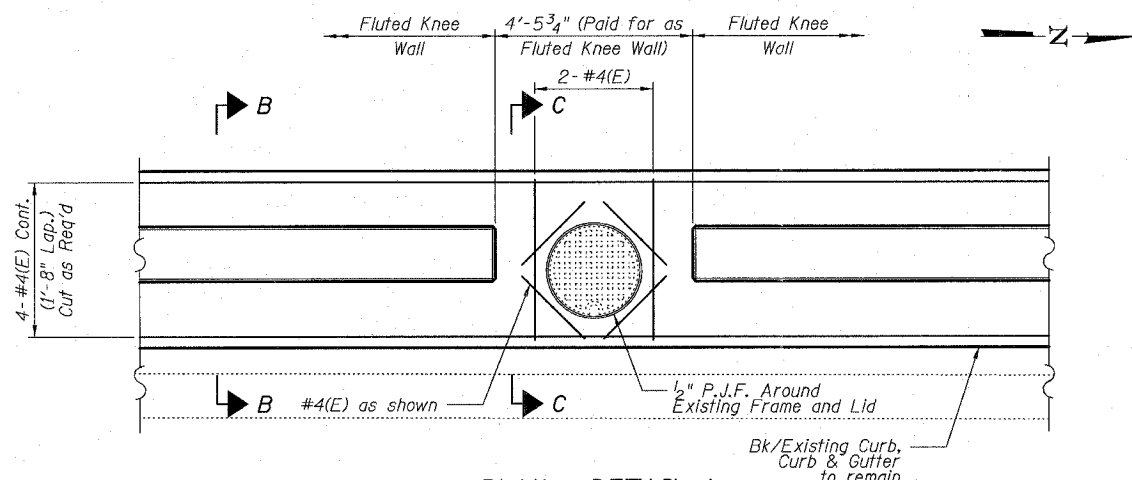


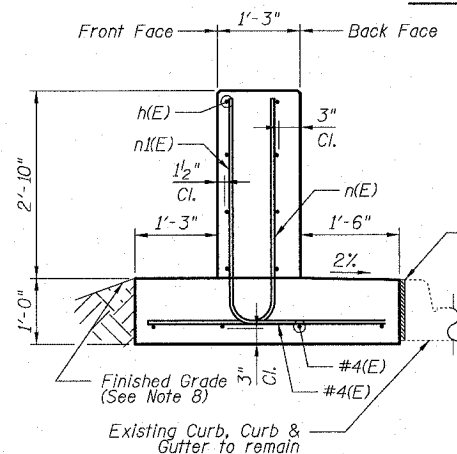
F.A.I.	SECTION	COUNTY	TOTAL SHEETS	SHEET NO.
94/90		COOK	22	13
STA.	TO STA.			
FED. ROAD DIST. NO.	ILLINOIS	FED. AID PROJECT		
62999				



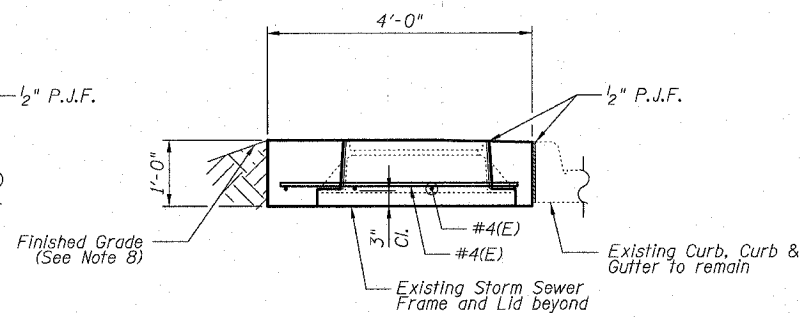
ELEVATION - DETAIL A



PLAN - DETAIL A



SECTION B-B



SECTION C-C

NOTES:

- All stations and offsets measured from S. Wentworth Ave. \bar{B} .
- Concrete: $f'c = 3500$ psi
- Provide California Finish on top of foundation between stem and Frontage Road. See Roadway Details
- At locations where Fluted Knee Wall abuts a rigid structure, a 1" thick Preformed Expansion Joint Filler conforming to the shape of the structure shall be installed between the wall and the structure.
- Apply Protective Coat to top and back face of stem and top of Frontage Road side of foundation.
- For Fluted Knee Wall standard details, see Sheet SD-1
- B.F. = Back Face
F.F. = Front Face
E.F. = Each Face
- Shape finished grade as required to match existing conditions.
- P.J.F. Included in cost of concrete structures.
- All items included in Detail A shall be included in the cost of Fluted Knee Wall.

BOWMAN, BARRETT & ASSOCIATES INC.
CONSULTING ENGINEERS
Chicago, Illinois
312.228.0100
www.bbainc.com

REVISIONS	
NAME	DATE
REVISED	3-6-08
ADDENDUM 1	5-30-08

ILLINOIS DEPARTMENT OF TRANSPORTATION
F.A.I. 94/90 (DAN RYAN EXPRESSWAY)
SOUTHBOUND KNEE WALLS (35TH ST TO 33RD ST)

SCALE: N.T.S.
DATE: 03/06/08

DRAWN BY: PAH
CHECKED BY: BLU

SHEET SD-2

DETAIL A

F:\62999\94\90\13\SHEET SD-2.DWG

5/29/2008 6:21:45 PM