

F. A. NO.	SECTION	COUNTY	TOTAL SHEETS	SHEET NO.
	08-00146-00-TL	COOK	273	038
STA.	TO STA.			
FED. ROAD DIST. NO.	ILLINOIS	FED. AID PROJECT		

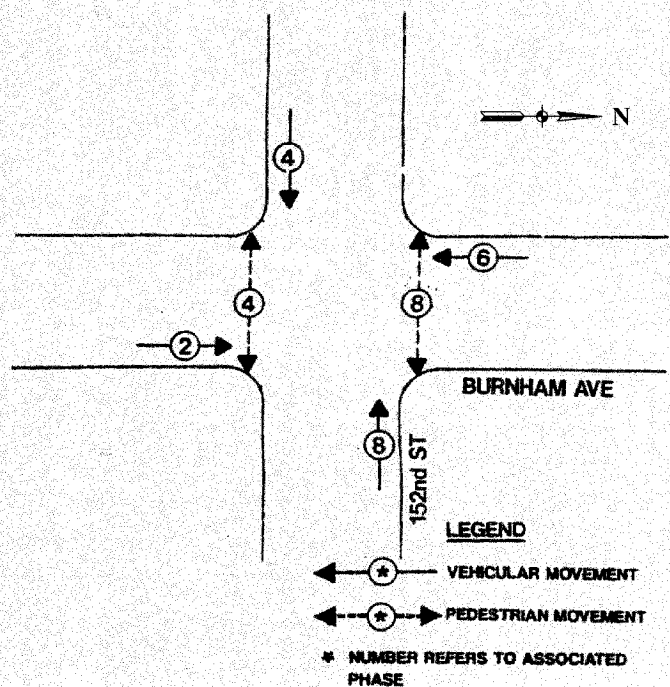
CONTRACT NO. 63003



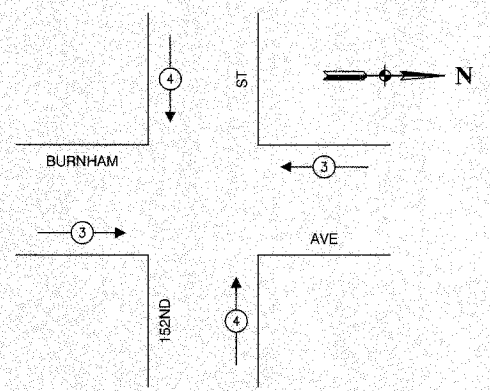
CABLE PLAN LEGEND

- | EXISTING | PROPOSED | |
|----------|----------|---|
| | | 8" TRAFFIC SIGNAL SECTION |
| | | 12" TRAFFIC SIGNAL SECTION |
| | | 12" PEDESTRIAN SIGNAL SECTION |
| | | 12" PEDESTRIAN SIGNAL SECTION |
| | | CONTROLLER CABINET |
| | | SERVICE INSTALLATION |
| | | TELEPHONE CONNECTION |
| | | MAGNETIC DETECTOR |
| | | EMERGENCY VEHICLE LIGHT DETECTOR |
| | | CONFIRMATION BEACON |
| | | PUSHBUTTON DETECTOR |
| | | VEHICLE DETECTOR, INDUCTION LOOP |
| | | 2 DENOTES NUMBER OF CONDUCTORS. ALL CABLE NO. 14 EXCEPT AS INDICATED. ALL LOOP DETECTOR CABLE TO BE SHIELDED. |
| | | SIGNAL FACE WITH BACKPLATE |
| | | "P" INDICATES PROGRAMMED HEAD |
| | | RAILROAD CONTROL CABINET |
| | | ILLUMINATED SIGN, FIBER OPTIC "NO LEFT TURN" |
| | | ILLUMINATED SIGN, FIBER OPTIC "NO RIGHT TURN" |
| | | H/C GROUND ROD AT HANDHOLE, DOUBLE HANDHOLE, OR CONTROLLER |
| | | P GROUND ROD AT POST OR MAST ARM POLE |
| | | S GROUND ROD AT ELECTRIC SERVICE INSTALLATION |

CONTROLLER SEQUENCE IV
REFERRING TO STANDARD 2393-1, THE VEHICULAR AND PEDESTRIAN PHASES USED ARE DESIGNATED BELOW.

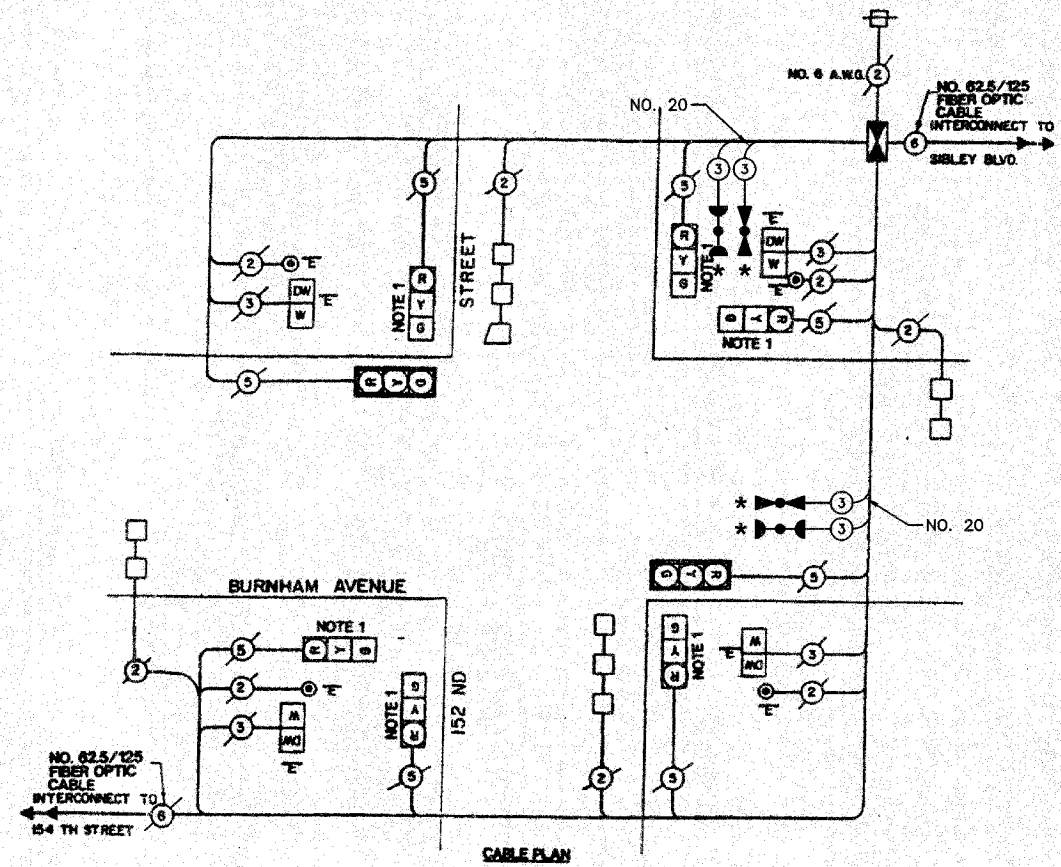


PHASE DESIGNATION DIAGRAM



EMERGENCY VEHICLE PREEMPTION SEQUENCE

PROPOSED EMERGENCY VEHICLE PREEMPTORS	
EMERGENCY VEHICLE PREEMPTOR	3 4
MOVEMENT	← → ↑ ↓



SCHEDULE OF QUANTITIES		
PAY ITEM	UNIT	QUANTITY
MAINTENANCE OF EXISTING TRAFFIC SIGNAL INSTALLATION	EACH	1
ELECTRIC CABLE IN CONDUIT, SIGNAL NO. 14 3C	FOOT	219
TRAFFIC SIGNAL POST, GALVANIZED STEEL 18 FT.	EACH	1
LIGHT DETECTOR	EACH	2
LIGHT DETECTOR AMPLIFIER	EACH	1
RELOCATE EXISTING SIGNAL HEAD	EACH	1
REMOVE AND REINSTALL ELECTRIC CABLE FROM CONDUIT	FOOT	15
REMOVE EXISTING TRAFFIC SIGNAL EQUIPMENT	EACH	1
ELECTRIC CABLE IN CONDUIT NO. 20 3/C, TWISTED, SHIELDED	FOOT	219

NOTE
* 1. THIS PLAN IS FOR THE PURPOSE OF INSTALLING EMERGENCY VEHICLE PREEMPTION EQUIPMENT AS SHOWN PER PLAN INDICATED IN THE SCHEDULE OF QUANTITIES. ALL OTHER EQUIPMENT SHOWN SHALL BE DISREGARDED.

* PLANS MODIFIED BY ROBINSON ENGINEERING, LTD

REVISIONS	
NAME	DATE
ADDED EV PREEMPTION	01/02/08
NEW 18' POST	

CITY OF CALUMET CITY
LOCATION NO. 10

ILLINOIS DEPARTMENT OF TRANSPORTATION

PROPOSED EMERGENCY VEHICLE PREEMPTION CABLE PLAN, PHASE DESIGNATION DIAGRAM & SCHEDULE OF QUANTITIES
BURNHAM AVENUE & MEMORIAL DRIVE

SCALE: VERT. _____ DRAWN BY _____
HORIZ. _____ CHECKED BY _____
DATE _____