

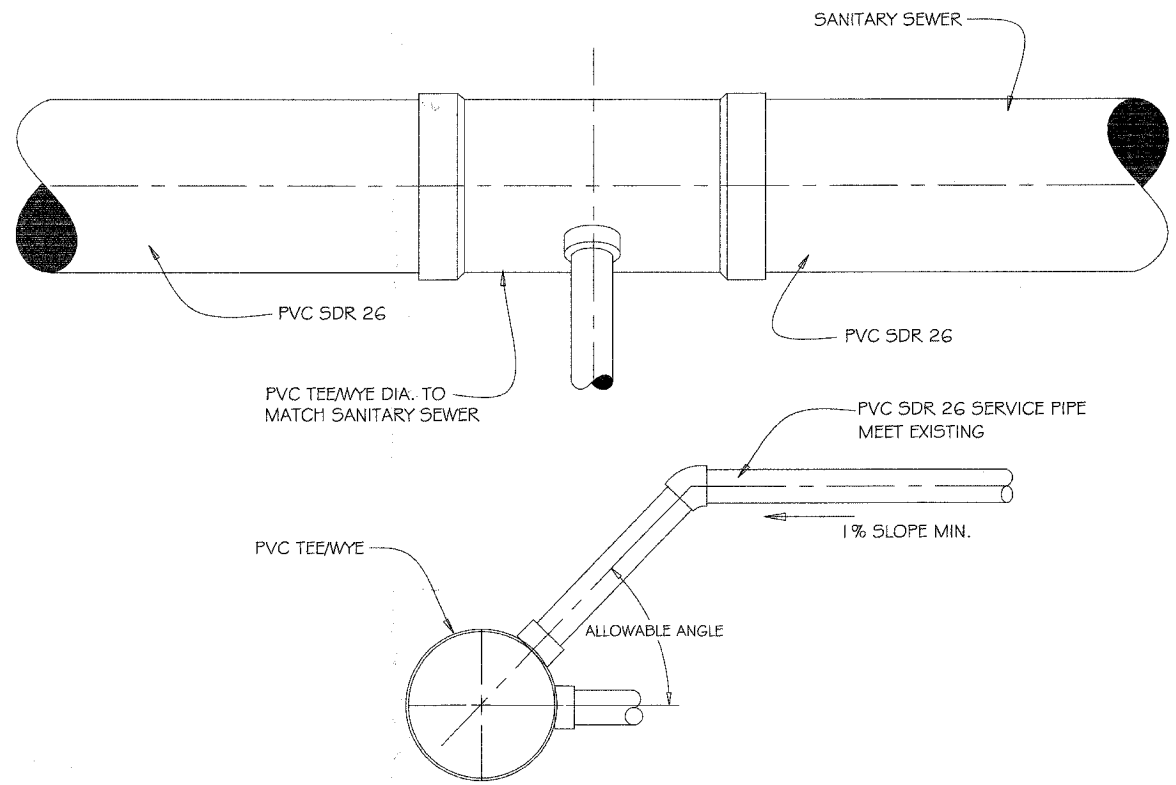
DRAWING BY MARATHON MATERIALS, INC.

GENERAL NOTES:

1. USE DRAINAGE STRUCTURE INLET FILTER MANUFACTURED BY MARATHONMATERIALS, INC. OR APPROVED EQUAL.
2. FRAME: TOP FLANGE FABRICATED FROM 1.25 X 1.25 X 0.125 ANGLE. BASE RIM FABRICATED FROM 1.5 X 0.5 X 0.125 CHANNEL. HANDLES AND SUSPENSION BRACKETS FABRICATED FROM 1.25 X 0.25 FLAT STOCK. ALL DOMESTIC STEEL CONFORMING TO ASTM - A36.
3. SEDIMENT BAG: BAG FABRICATED FROM 4 OZ./SQ. YD. NON-WOVEN POLYPROPYLENE GEOTEXTILE REINFORCED WITH POLYESTER MESH. BAG SECURED TO BASE RIM WITH A STAINLESS STEEL STRAP AND LOCK.

NOT TO SCALE

REV:	DATE:	DRAINAGE STRUCTURE PROTECTION	VILLAGE OF VILLA PARK
REV: RMS	DATE: JUL 2004		
DRAWN BY: VV	DATE: JAN 2003		
		STORM - 17	



GENERAL NOTES:

1. TEE/WYE CAN BE INSTALLED ONLY DURING NEW SEWER INSTALLATION
2. CONTRACTOR MAY USE A TEE OR A WYE AT HIS OPTION

NOT TO SCALE

REV:	DATE:	SANITARY TEE / WYE	VILLAGE OF VILLA PARK
REV: RMS	DATE: JUL 2004		
DRAWN BY: VV	DATE: JAN 2003		
		SANITARY - 10	