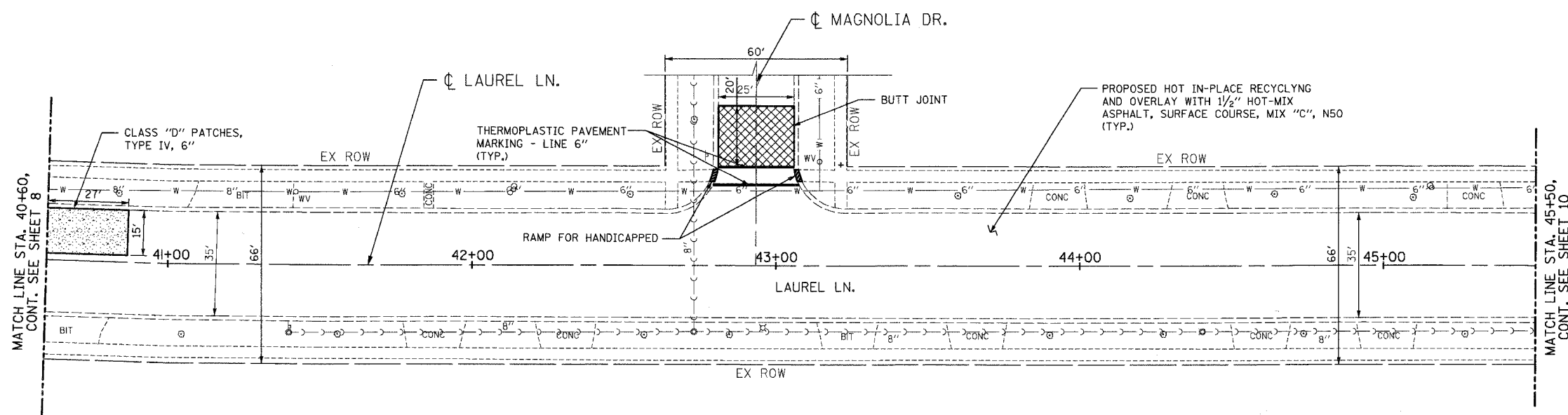
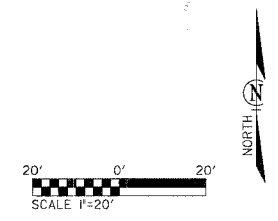
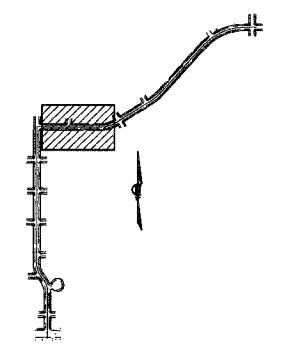


FAU RTE.	SECTION	COUNTY	TOTAL SHEETS	SHEET NO.
360		COOK	16	9
STA. 30+50		TO STA. 35+50		
FED. ROAD DIST. NO.		ILLINOIS		
• 07-00071-00-RS				



EXISTING LEGEND:		PROPOSED LEGEND:	
	- STORM SEWER		- WATER VALVE
	- SANITARY SEWER		- VALVE VAULT
	- WATER LINE		- FIRE HYDRANT
	- GAS LINE		- GAS VALVE
	- TELEPHONE LINE		- GAS VAULT
	- COMED LINE		- LIGHT POLE
	- CABLE LINE		- POWER POLE
	- CATCH BASIN		- GUY
	- SEWER MANHOLE		- STRUCTURE TO
	- INLET		
	- TELEPHONE MANHOLE		- BUTT JOINT
			- PAVEMENT PATCH
			- RAMP FOR HANDICAPP
			- CROSSWALK

**NOTE:**  
 AFTER A SATISFACTORY COMPLETION OF HOT-MIX SURFACE REMOVAL  $\frac{3}{4}$ " BUTT JOINT AND VARIABLE DEPTH, AND HOT IN-PLACE RECYCLING OPERATIONS, AN OVERLAY OF  $1\frac{1}{4}$ " INCH HOT-MIX ASPHALT SURFACE COURSE, MIX  $\frac{7}{32}$ " C $\frac{1}{2}$ " N50 SHALL BE CONSTRUCTED OVER THE ENTIRE PAVEMENT WIDTH.



KEY PLAN

CIVIL / STRUCTURAL ENGINEERS



GLOBETROTTERS INTERNATIONAL  
 300 SOUTH WACKER DRIVE, SUITE 200  
 CHICAGO, IL. 60606

REVISIONS	
NAME	DATE
DDOT COMMENTS	02/25/08
DDOT COMMENTS	03/18/08

MFT 07-00071-00-RS  
 LAUREL LANE (FAU 3601)  
 APPLE TREE DR. TO ELM DR.  
 HAZEL CREST, IL  
 PROJECT NO. 05726-010

SCALE: VERT. NONE  
 HORIZ. 1" = 20'  
 DATE 12/18/07  
 DRAWN BY BS  
 CHECKED BY NC