

## GENERAL NOTES

### FIELD OFFICE

THE CONTRACTOR WILL NOT BE ALLOWED TO SET UP A YARD OR FIELD OFFICE ON STATE OR VILLAGE PROPERTY WITHOUT WRITTEN PERMISSION FROM THE DEPARTMENT OR THE VILLAGE.

### BARRICADES

THE CONTRACTOR SHALL PROVIDE AND INSTALL TWO (2) WEIGHTED SANDBAGS ON EACH TYPE II BARRICADE USED, ONE (1) WEIGHTED SANDBAG ACROSS EACH BOTTOM RAIL.

## INDEX OF SHEETS

### SHEET NO. DESCRIPTION

1	COVER SHEET, LOCATION MAP
2	INDEX OF SHEETS, LEGEND, GENERAL NOTES, I.D.O.T. STANDARD DRAWINGS, & SUMMARY OF QUANTITIES
3	DETOUR SIGNING PLAN
4	EXISTING CONDITIONS PLAN AND PROFILE
5	PROPOSED IMPROVEMENTS PLAN AND PROFILE
6	PEDESTRIAN BRIDGE ABUTMENT DETAILS
7	PEDESTRIAN BRIDGE BRIDGE DETAILS
8	PEDESTRIAN BRIDGE LIGHTING LAYOUT DETAILS

### STANDARDS

ANY REFERENCE TO STANDARDS THROUGHOUT THE PLANS OR SPECIAL PROVISIONS SHALL BE INTERPRETED TO BE THE LATEST STANDARD OF THE ILLINOIS DEPARTMENT OF TRANSPORTATION AS SHOWN ON THE INDEX OF SHEETS IN THE PLANS.

### UNDERGROUND UTILITIES

BEFORE STARTING ANY EXCAVATION, THE CONTRACTOR SHALL CALL "JULIE" AT 800-892-0123 FOR FIELD LOCATIONS OF BURIED ELECTRICAL, TELEPHONE AND GAS FACILITIES. (48 HOURS NOTIFICATION IS REQUIRED).

THE LOCATIONS OF THE UNDERGROUND UTILITIES IF SHOWN ON THE PLANS HAVE BEEN OBTAINED BY FIELD SURVEYS AND SEARCHES OF AVAILABLE RECORDS. IT IS BELIEVED THAT DATA IS ESSENTIALLY CORRECT, BUT THE VILLAGE OF BROOKFIELD, THE ILLINOIS DEPARTMENT OF TRANSPORTATION AND/OR OTHER OFFICES AND AGENCIES ASSOCIATED WITH THE DEVELOPMENT OF THESE PLANS DO NOT GUARANTEE THEIR ACCURACY OR COMPLETENESS. THE CONTRACTOR WILL BE REQUIRED TO VERIFY THE EXACT LOCATION OF EACH FACILITY WITH THE UTILITY COMPANY, AND SHALL TAKE DUE CARE IN ALL PHASES OF THE CONSTRUCTION TO PROTECT ANY SUCH FACILITIES WHICH MAY BE AFFECTED BY THE WORK. ANY DAMAGE TO EXISTING UTILITIES SHALL BE REPAIRED AT THE CONTRACTOR'S EXPENSE.

THE CONTRACTOR SHALL COORDINATE CONSTRUCTION ACTIVITIES WITH UTILITY COMPANIES AND THE VILLAGE OF BROOKFIELD.

## SUMMARY OF QUANTITIES

CODE	PAY ITEM	UNIT	QUANTITY	
				<i>X932-2A</i>
67100100	MOBILIZATION	L SUM	1	1
70101800	TRAFFIC CONTROL AND PROTECTION (SPECIAL)	L SUM	1	1
XX006174	PEDESTRIAN BRIDGE REMOVAL	EACH	1	1
Z0048665	RAILROAD PROTECTIVE LIABILITY INSURANCE	L SUM	1	1
Z0050400	REMOVE AND REPLACE ANCHOR BOLTS	EACH	8	8
* X8040305	ELECTRICAL SERVICE CONNECTION	L SUM	1	1
XX007455	PRE-ENGINEERED STEEL TRUSS PEDESTRIAN BRIDGE	L SUM	1	1

\* DENOTES SPECIALTY ITEMS

## I.D.O.T. STANDARD DRAWINGS

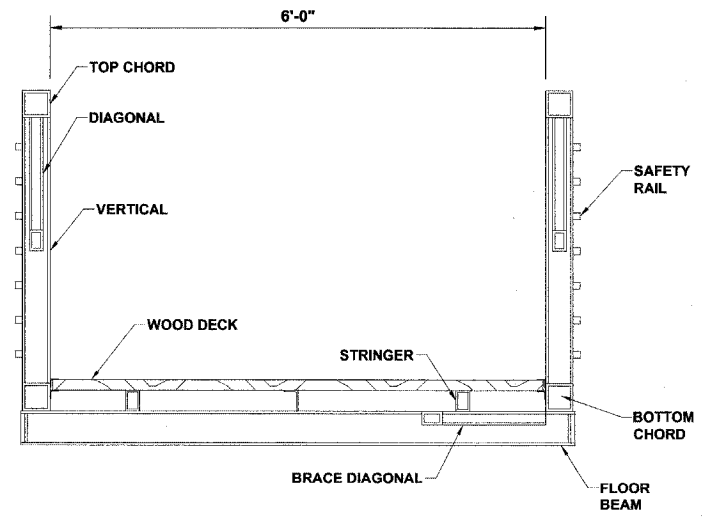
### STANDARD NO. TITLE OR DESCRIPTION

000001-05	STANDARD SYMBOLS, ABBREVIATIONS AND PATTERNS
701501-04	URBAN LANE CLOSURE, 2-LANE, 2-WAY, UNDIVIDED
701801-03	LANE CLOSURE, MULTILANE, 1W OR 2W CROSSWALK OR SIDEWALK CLOSURE
701901	TRAFFIC CONTROL DEVICES

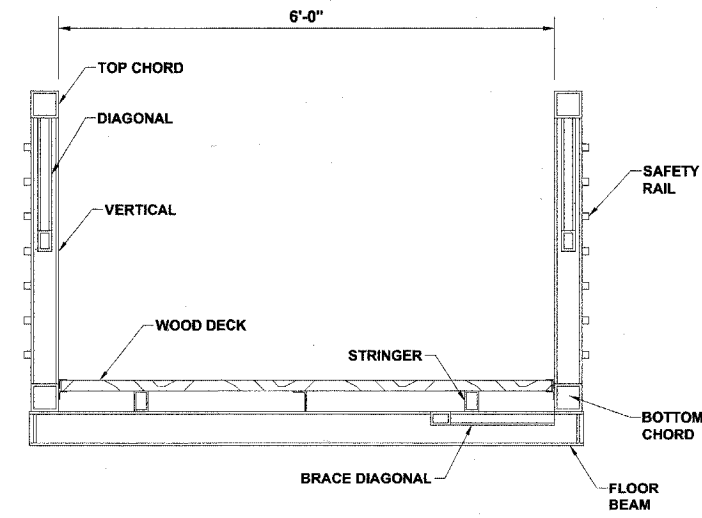
## LEGEND OF SYMBOLS

(TO BE USED IN CONJUNCTION WITH I.D.O.T. STANDARD 000001-05)

SYMBOL	DESCRIPTION
---	EXISTING RIGHT OF WAY
---	EXISTING CENTERLINE
-x-x-x-	EXISTING CHAIN LINK FENCE
---	EXISTING CURB AND GUTTER
⊗	EXISTING POWER POLE
⊕	EXISTING TREE
---	EXISTING OVERHEAD POWER LINE



EXISTING TYPICAL SECTION



PROPOSED TYPICAL SECTION

Drawing file: W:\Projects\12506290 - Pedestrian Bridge Development\INDEX.dwg Apr 04, 2008 - 8:58am