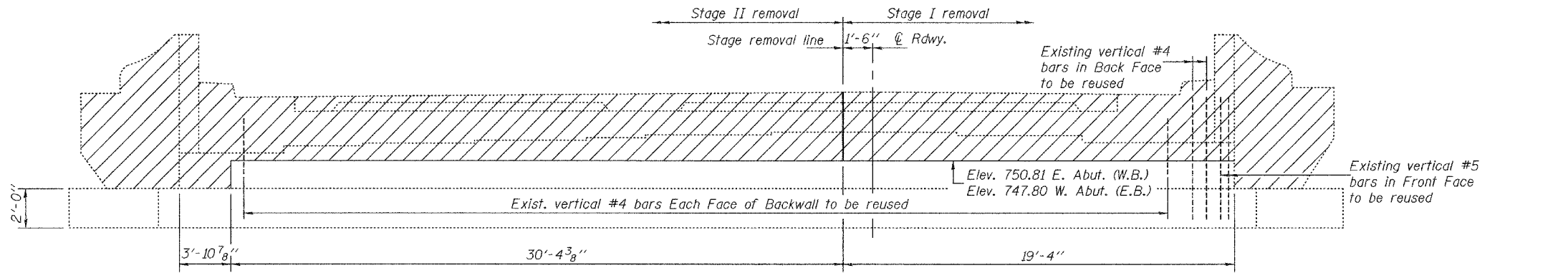


STATE OF ILLINOIS
DEPARTMENT OF TRANSPORTATION

ROUTE NO.	SECTION	COUNTY	POST MILES	SHEET NO.
FAP 301	3HBR-2	WINNEBAGO	171	109
FED. ROAD DIST. NO. 7		ILLINOIS		FED. AID PROJECT-

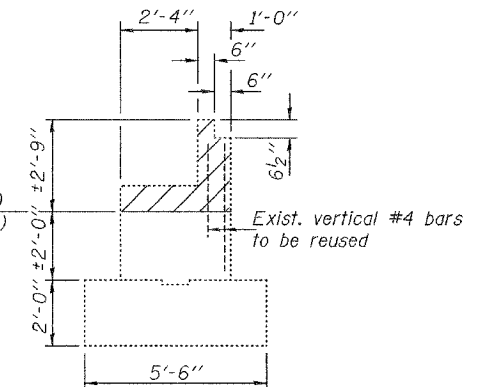
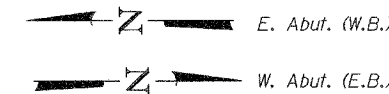
SHEET NO. 23
34 SHEETS

Contract No. 64292

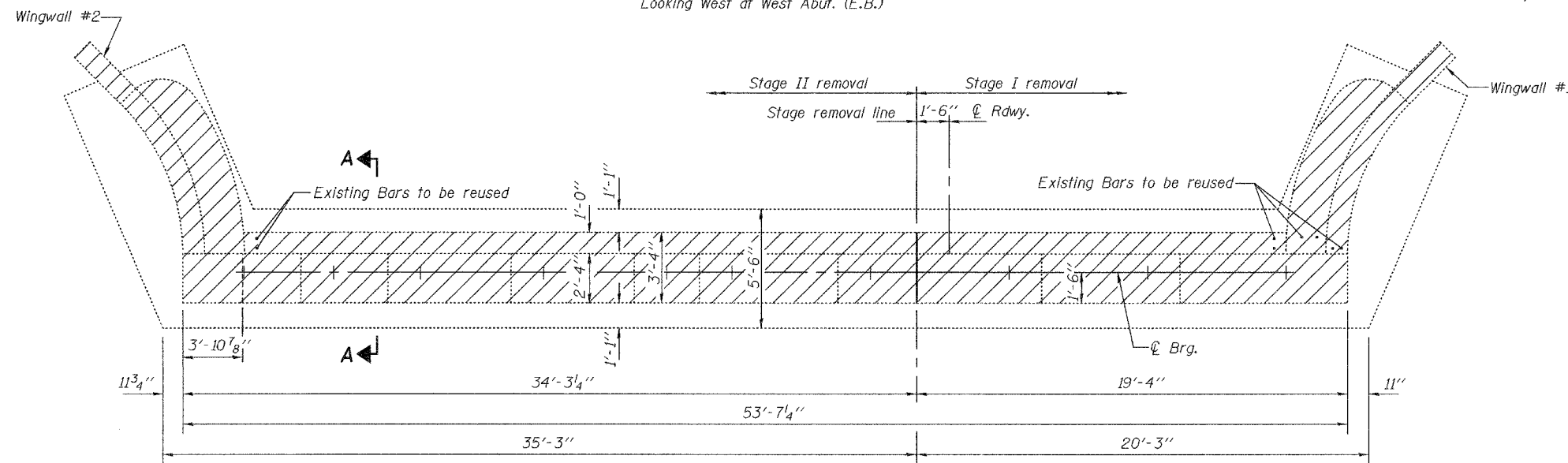


ELEVATION

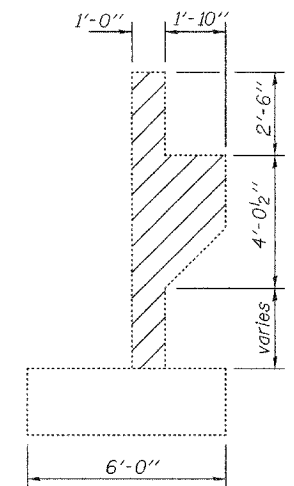
Looking East at East Abut. (W.B.) &
Looking West at West Abut. (E.B.)



SECTION A-A

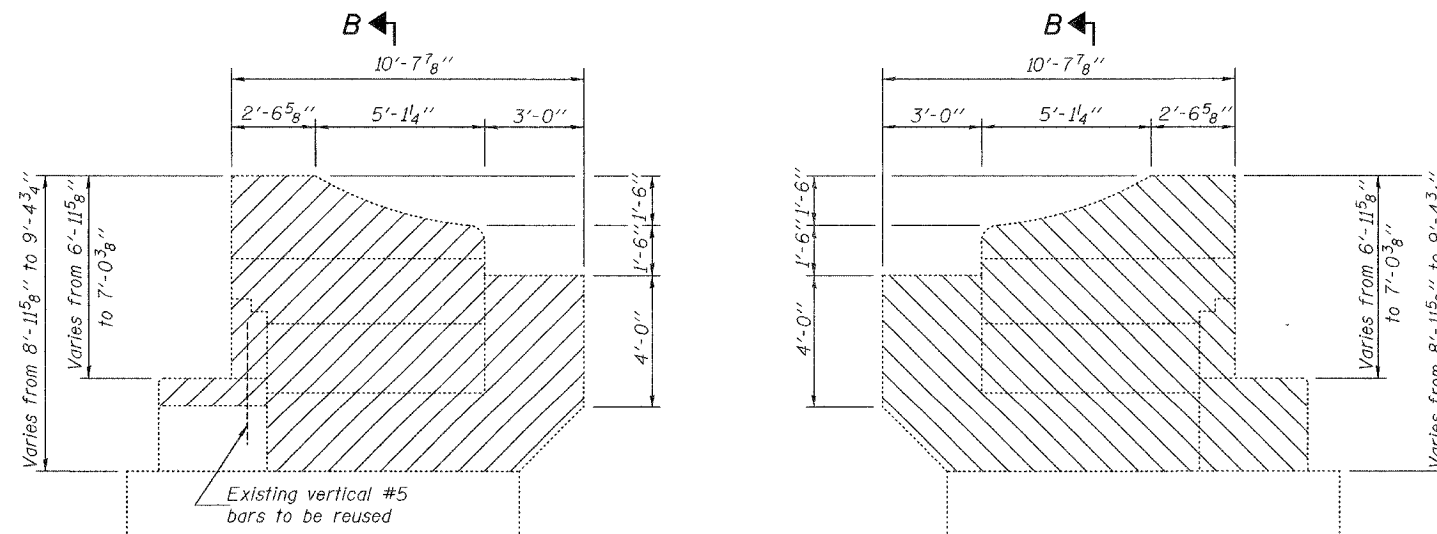


PLAN



SECTION B-B

Notes: Hatched areas indicate Concrete Removal.
Existing reinforcement not extending into new construction shall be cut off flush and covered with a 2" layer of cement grout. Cost included with Concrete Removal.
Existing reinforcement bars extending into new construction shall be cleaned, straightened and incorporated into the new construction. Any reinforcement bars that are damaged during concrete removal shall be replaced with an approved bar splicer or anchorage system. Cost included with Concrete Removal.



WINGWALL #1 ELEVATION

WINGWALL #2 ELEVATION

**FOUR ABUTMENTS
BILL OF MATERIAL**

Item	Unit	Total
Concrete Removal	Cu. Yd.	63.2

CONCRETE REMOVAL DETAILS
F.A.P. RTE. 301 - SEC. 3HBR-2
WINNEBAGO COUNTY
STATION 993+43.82
STRUCTURE NO. 101-0065 (E.B.)
STRUCTURE NO. 101-0066 (W.B.)

DESIGNED	Stephen M. Ryan
CHECKED	Fess Teklehaimanot
DRAWN	h.t. duong
CHECKED	SMR/FT

EXAMINED	Thomas J. Domagala ENGINEER OF BRIDGES
PASSED	Ralph E. Anderson ENGINEER OF BRIDGES AND STRUCTURES

Apr. 25, 2008