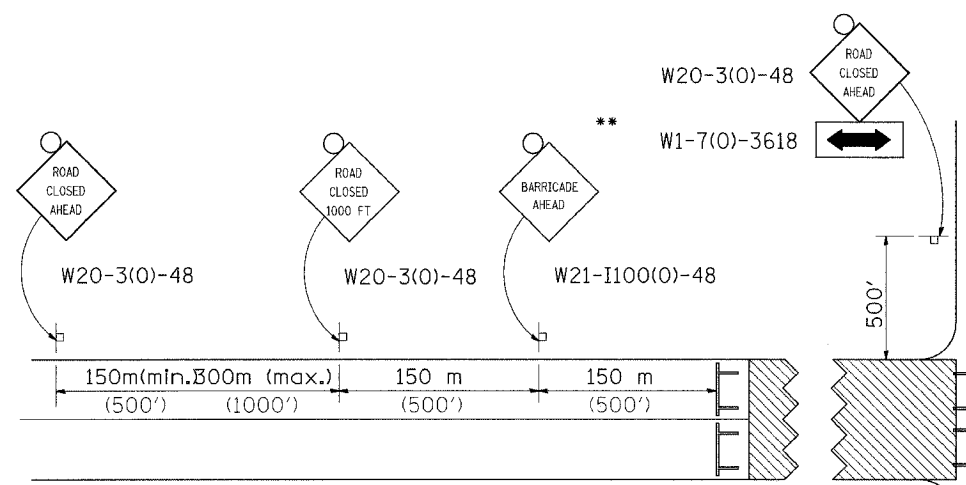
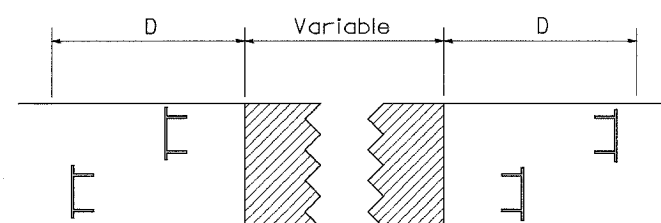


F.A.P. RTE.	SECTION	COUNTY	TOTAL SHEETS	SHEET NO.
301	3HBR-2	WINNEBAGO	171	132
STA.		TO STA.		
FED. ROAD DIST. NO.	ILLINOIS	FED. AID PROJECT		

# TRAFFIC CONTROL FOR ROAD CLOSURE



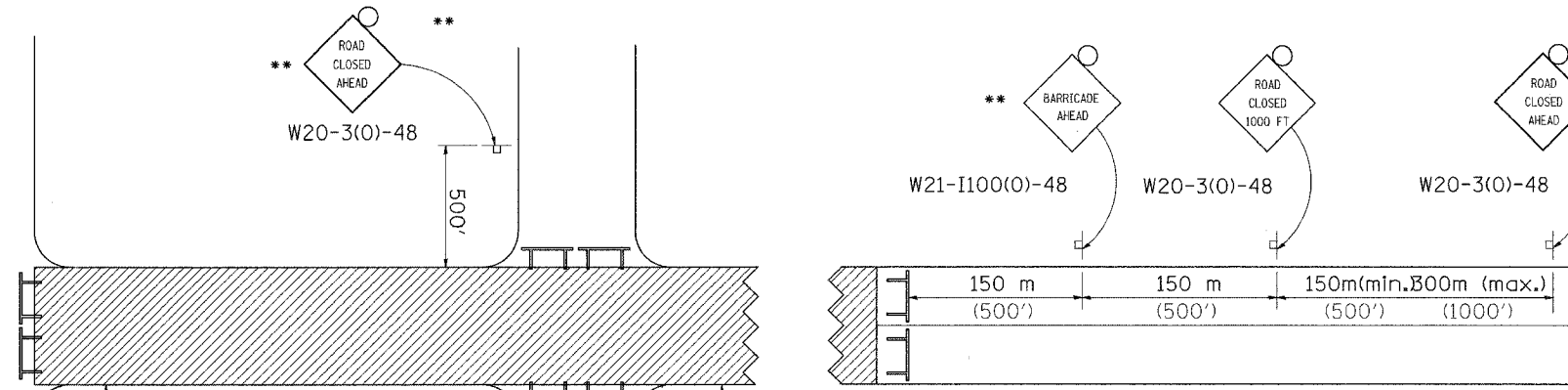
ROAD CLOSED TO THRU TRAFFIC BARRICADE SET UP



Type III Barricades and R11-4-4830 signs shall be as shown in "Road Closed To All Thru Traffic" detail on Highway Standard 702001. If the distance "D" exceeds 600 m (2000') an additional set of barricades and R11-4-4830 shall be placed at each end of the work area.

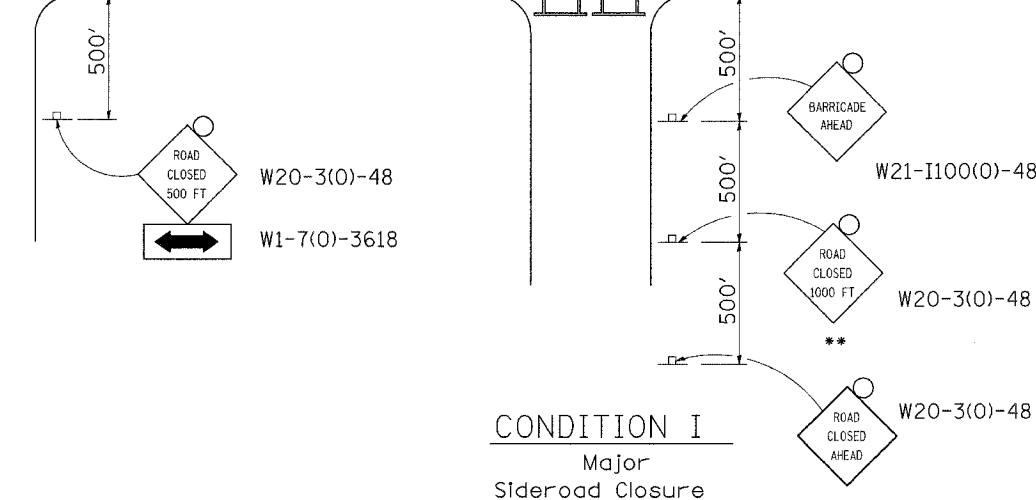
## CONDITION II

Minor Sideroad Closure



## CONDITION I

Major Sideroad Closure



### SYMBOLS

- Work area
- Type III Barricade with Flashers
- Sign with flashing light

### GENERAL NOTES

Longitudinal dimensions may be adjusted to fit field conditions.  
 When speed limit is less than 45mph, change sign spacing to 250' and change ROAD CLOSED 1000 FT to ROAD CLOSED 500 FT.

Side roads requiring all three signs as shown in CONDITION I (Major Sideroad Closure), shall be listed in the special provision.

\*\* Where local access is to be maintained, barricades are to be set up as shown in Road Closed to thru traffic.

Type III Barricades and R11-2-4830 signs shall be as shown in "Road Closed To All Traffic" detail on Highway Standard 702001.

All dimensions are in millimeters (inches) unless otherwise shown.

TYPICAL APPLICATION FOR ROAD CLOSURE

PLOT DATE = Fri, Mar 14, 2008 10:08:00 AM  
 FILE NAME = c:\projects\64292\64292.dgn  
 PLOT SCALE = 80.0000 / IN.  
 REFERENCE = REF