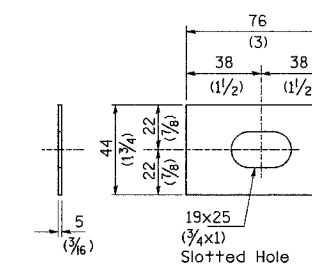
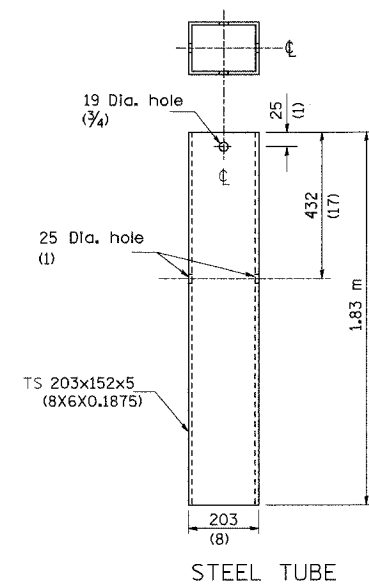
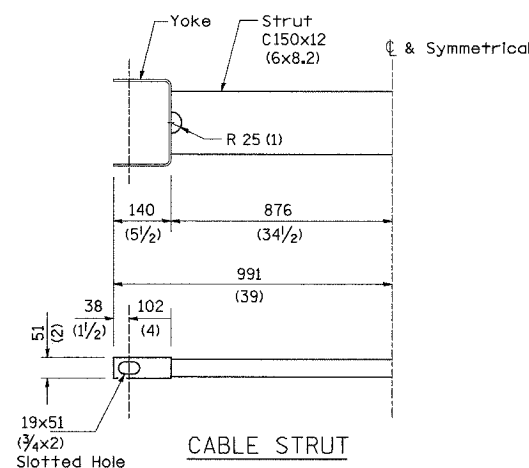
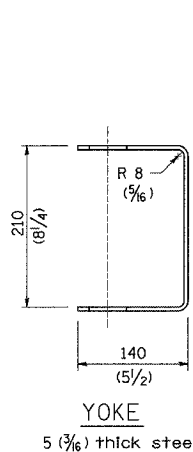
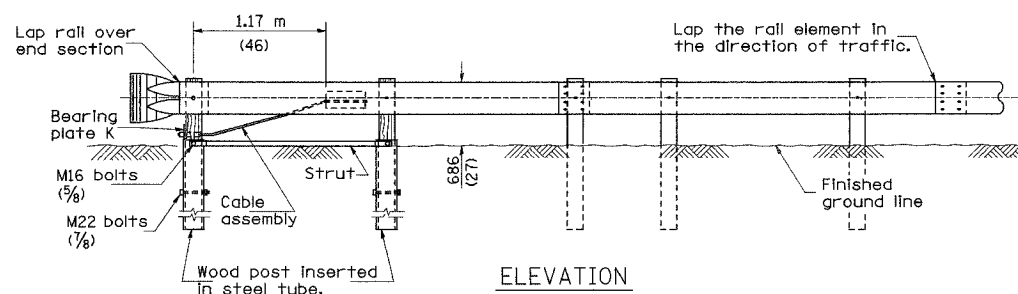
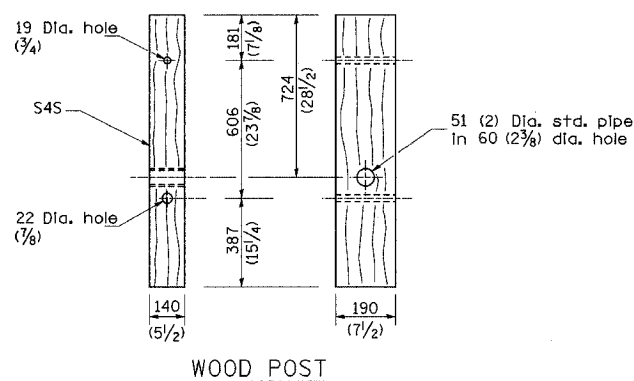
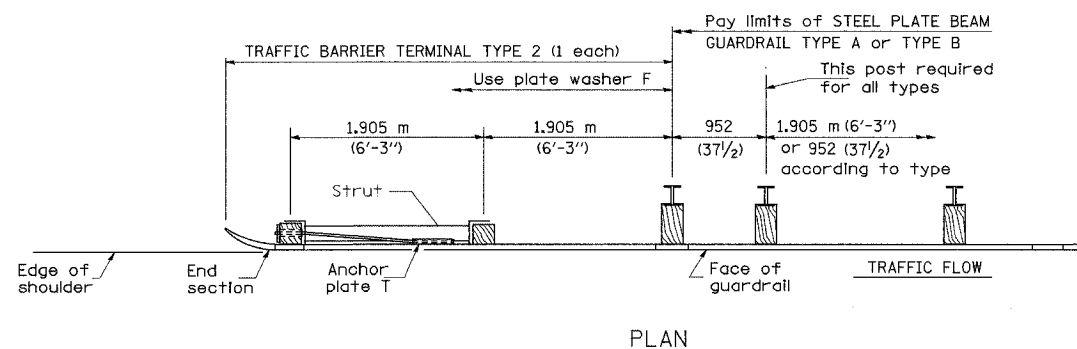
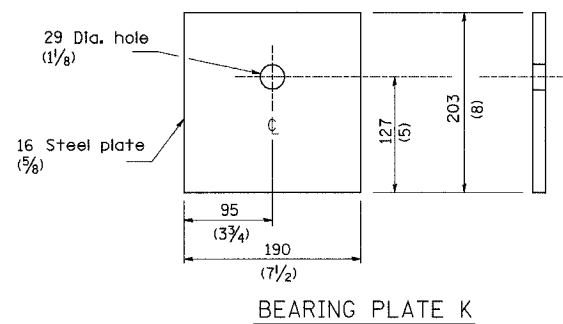


F.A.P. RTE.	SECTION	COUNTY	TOTAL SHEETS	SHEET NO.
301	3HBR-2	WINNEBAGO	171	136
STA.		TO STA.		
FED. ROAD DIST. NO.		ILLINOIS FED. AID PROJECT		

TRAFFIC BARRIER TERMINAL, TYPE 2 (27" HEIGHT)



GENERAL NOTES

See Standard 630001 for details of guardrail not shown.

The bearing plate K shall be held in position by (2) two eight penny nails driven into the post and bent over the top of the plate.

All dimensions are in millimeters (inches) unless otherwise shown.

PLOT DATE = Fri, Mar 14, 2008 10:51:51 AM
 FILE NAME = c:\projects\2008\301\301\301.dwg
 PLOT SCALE = 1:1
 REFERENCE = REF#