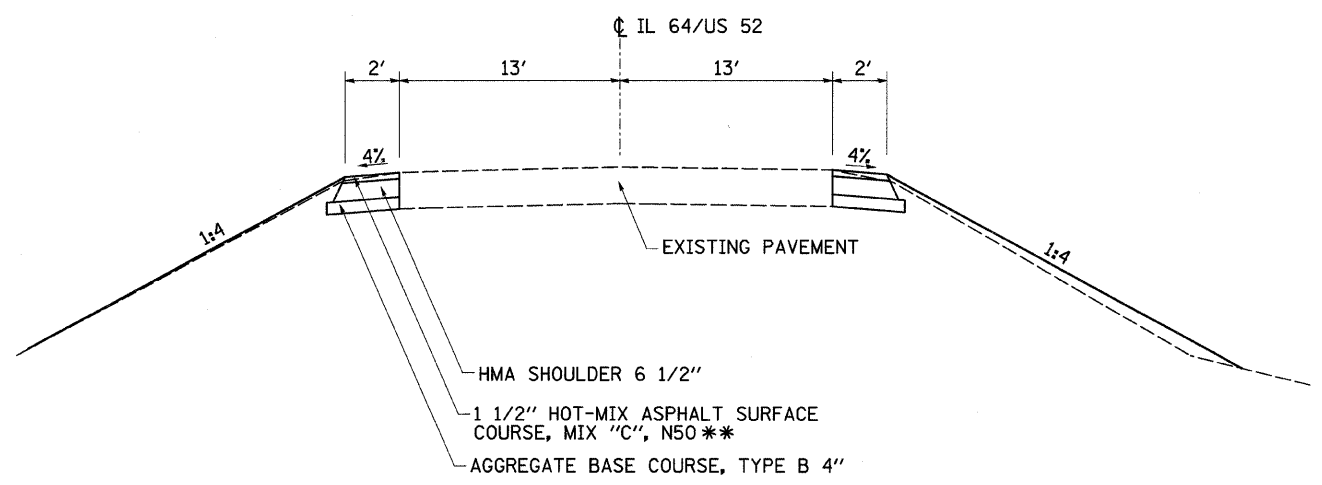


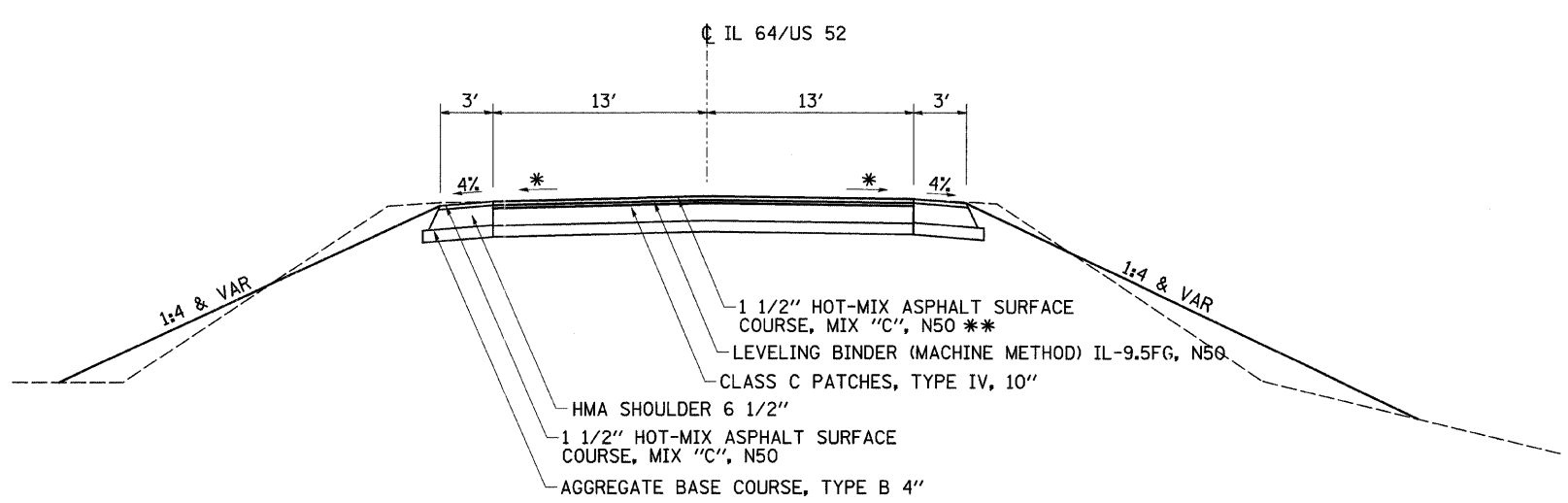
F.A.P. RTE.	SECTION	COUNTY	TOTAL SHEETS	SHEET NO.
17	15T-2	CARROLL	71	8
STA.		TO STA.		
FED. ROAD DIST. NO.		ILLINOIS FED. AID PROJECT		

TYPICAL SECTIONS

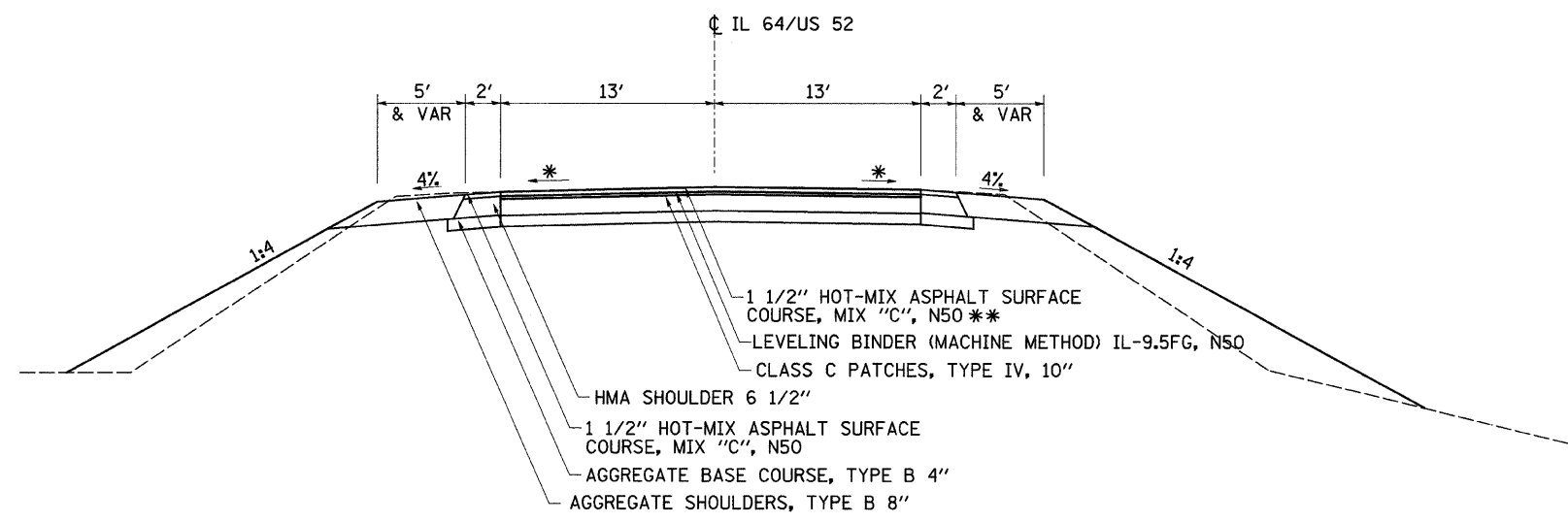
STA. 1209+70 TO STA. 1210+71.47
 STA. 1212+59.28 TO STA. 1213+80



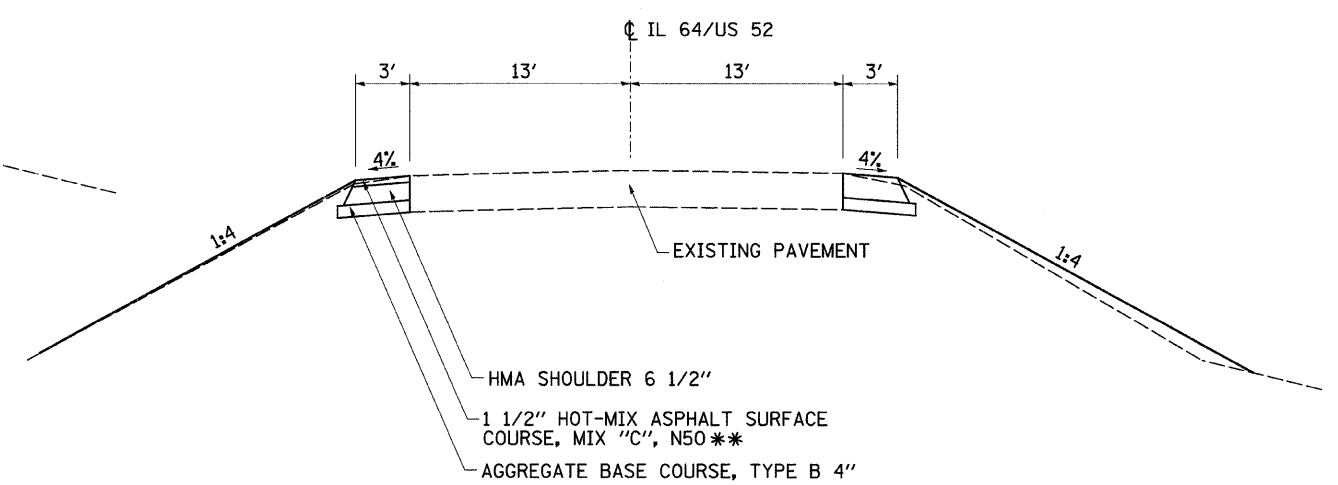
STA. 1239+00 - STA. 1241+50
 STA. 1358+90 - STA. 1359+43



STA. 1210+71.47 - STA. 1212+59.28



STA. 1356+64 TO STA. 1358+90
 STA. 1359+43 TO STA. 1360+75



* MATCH EXISTING MAINLINE SLOPE IN SUPER ELEVATED SECTIONS
 ** 112 LB/SQ YD IN

REVISIONS	
NAME	DATE

ILLINOIS DEPARTMENT OF TRANSPORTATION

SCALE: VERT. / HORIZ.

DATE

DRAWN BY / CHECKED BY

PLOT DATE = Mon Jan 28 07:51:02 2008
 FILE NAME = C:\p\projects\1207596\1207596.dgn
 PLOT SCALE = 5/8" = 1' / IN.
 USER NAME = hansonk