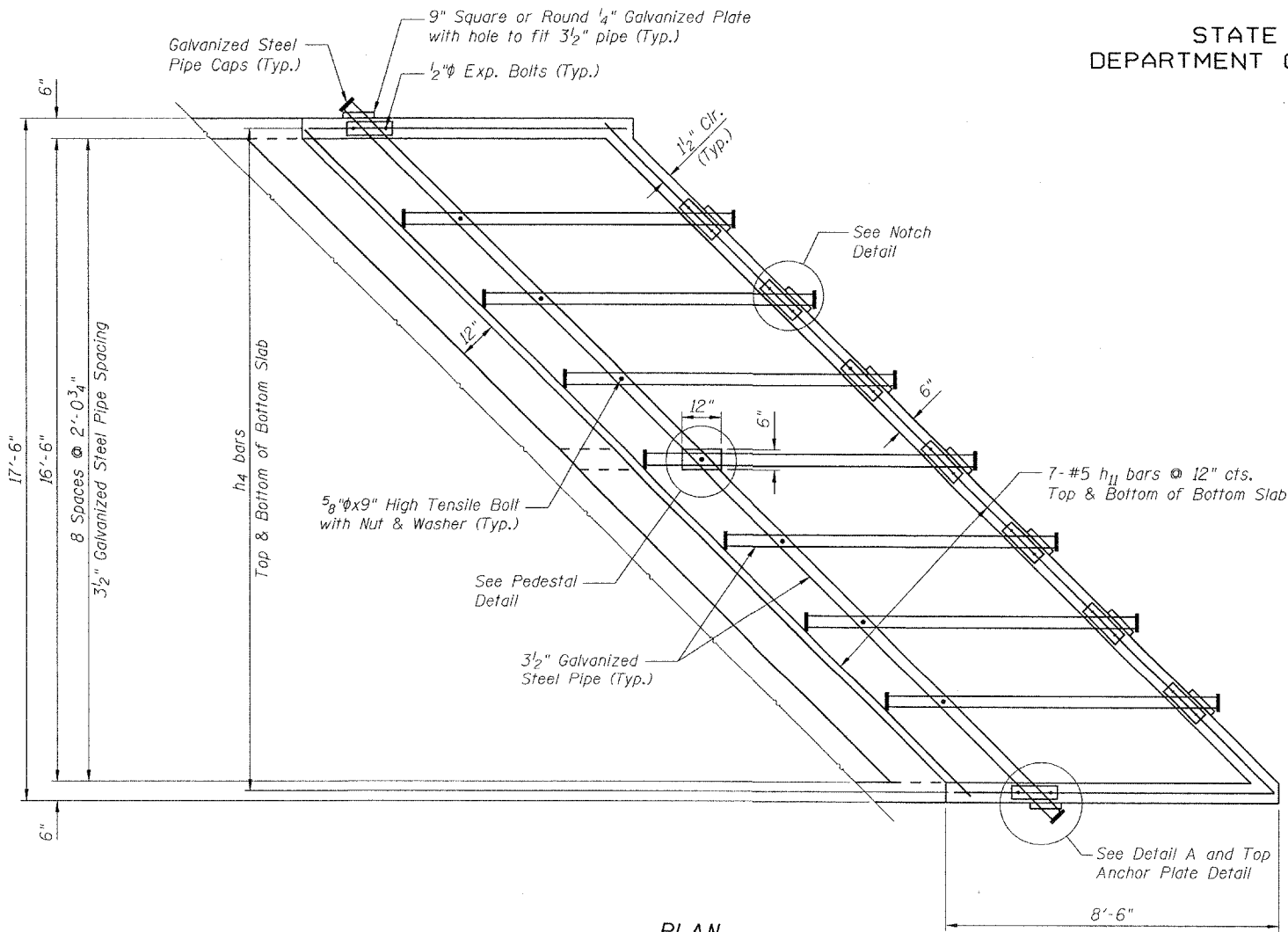


STATE OF ILLINOIS
DEPARTMENT OF TRANSPORTATION

ROUTE NO.	SECTION	COUNTY	TOTAL SHEETS	SHEET NO.	SHEET NO. 6
F.A.P. 301	29T-1	JO DAVIESS	30	15	9 SHEETS
FED. ROAD DIST. NO. 7	ILLINOIS	FED. AID PROJECT-			

Contract #64C58



PLAN

GENERAL NOTES

Steel pipes shall conform to A.S.T.M. A-53 (Type E or S) Grade B, Schedule 80, and shall be galvanized conforming to A.S.T.M. A-120.

Steel plates shall conform to AASHTO M-183 and shall be galvanized conforming to AASHTO M-111.

Bolts, nuts, and washers shall be in accordance with Article 1006.0B of the Standard Specifications and shall be galvanized.

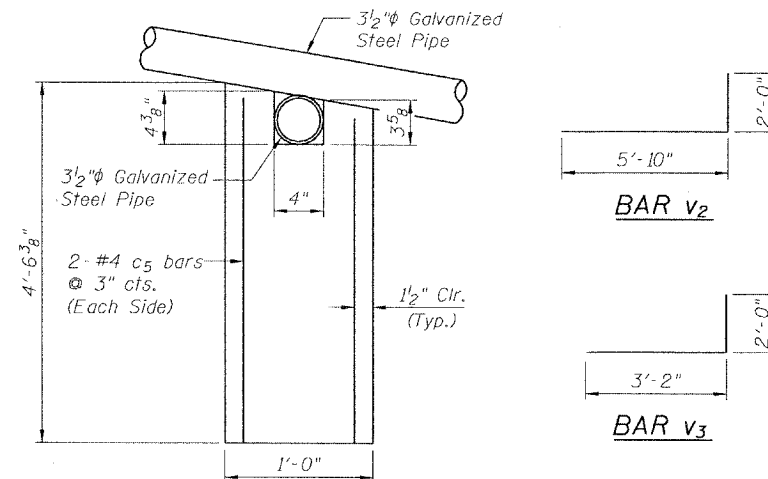
The contract unit price "Cu Yd" for Concrete Box Culverts shall include the Galvanized Pipe, Pipe Caps, Bolts, Nuts, Washers, Steel Plates, earth excavation, backfilling, compacted CA-7 aggregate bedding material and necessary grading.

Reinforcement bars will be paid for separately.

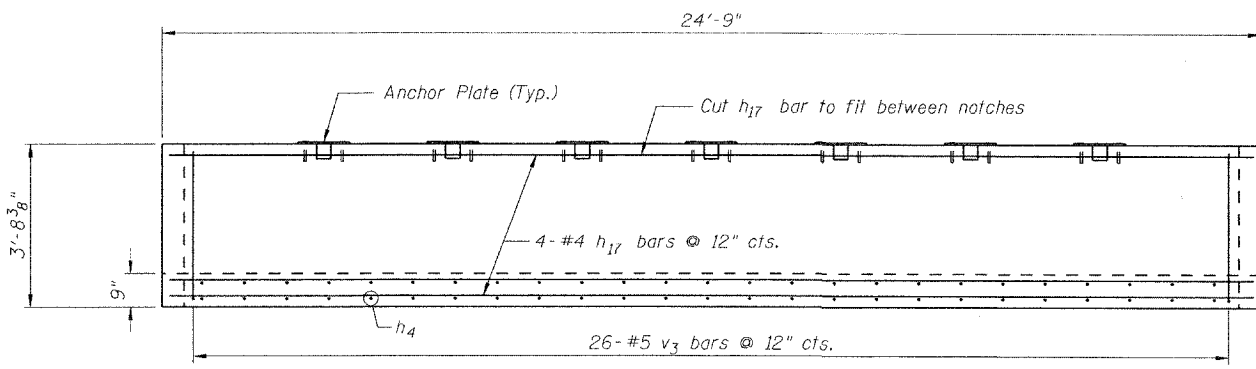
Order v₂ bars full length. Cut to fit as shown and discard remainder.

BILL OF MATERIAL

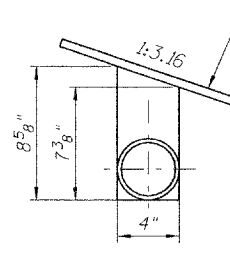
Bar	No.	Size	Length	Shape
c5	4	#4	4'-2"	—
h11	14	#5	24'-2"	—
h17	4	#4	24'-2"	—
h22	6	#4	8'-2"	—
h23	2	#4	5'-8"	—
h24	2	#4	3'-5"	—
h25	2	#4	6'-4"	—
h26	2	#4	1'-7"	—
v2	16	#5	7'-10"	—
v3	26	#5	5'-2"	—
Item	Unit	Quantity		
Concrete Box Culverts	Cu. Yd.	6.8		
Reinforcement Bars	Pound	760		
3 1/2" Galvanized Steel Pipe	1 @ 26'	26		
3 1/2" Galvanized Pipe Caps	Each	16		
1/4" Galvanized Steel Plate (9" Nominal)	Each	9		
1/2"x4"x14" Galvanized Steel Plate	Each	9		
5/8"x9" Galvanized Steel Bolts	Each	7		
1/2" Galvanized Exp. Bolts	Each	18		



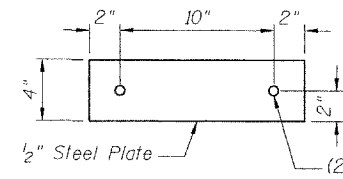
PEDESTAL DETAIL



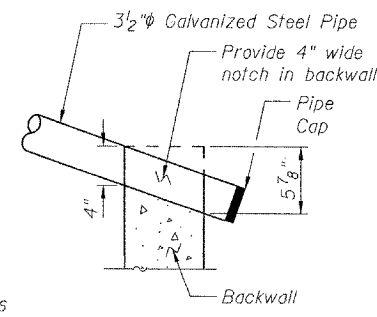
BACK WALL



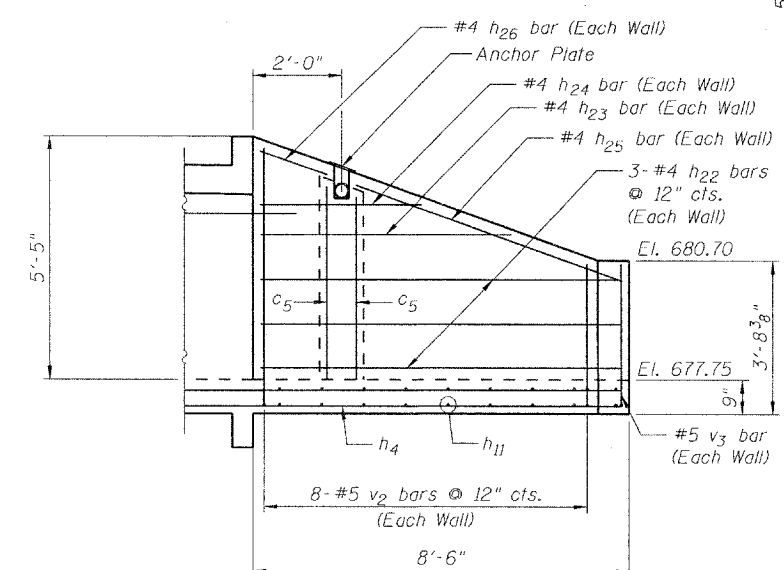
DETAIL A



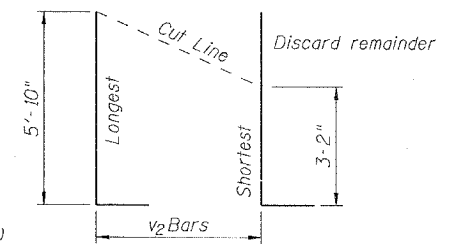
TOP ANCHOR PLATE



NOTCH DETAIL



ELEVATION



BAR v₂ CUT DIAGRAM

DESIGNED	LAS
CHECKED	DAZ
DRAWN	SAW
CHECKED	LAS

GRATED DROP BOX
US ROUTE 20/IL ROUTE 84
OVER UNNAMED TRIBUTARY
TO SMALLPOX CREEK
F.A.P. 301 SECTION 29T-1
JO DAVIESS COUNTY
STATION 924+32.00
STRUCTURE NO. 043-1077