

STATE OF ILLINOIS  
DEPARTMENT OF TRANSPORTATION

ROUTE NO.	SECTION	COUNTY	TOTAL SHEETS	SHEET NO.
F.A.P. 301	29T-1	JO DAVIESS	30	16
FED. ROAD DIST. NO. 7		ILLINOIS	FED. AID PROJECT	
Contract #64C58				

SHEET NO. 7  
9 SHEETS

GENERAL NOTES

Steel pipes shall conform to A.S.T.M. A-53 (Type E or S) Grade B, Schedule 80, and shall be galvanized conforming to A.S.T.M. A-120.

Steel plates shall conform to AASHTO M-183 and shall be galvanized conforming to AASHTO M-111.

Bolts, nuts, and washers shall be in accordance with Article 1006.08 of the Standard Specifications and shall be galvanized.

The contract unit price "Cu Yd" for Concrete Box Culverts shall include the Galvanized Pipe, Pipe Caps, Bolts, Nuts, Washers, Steel Plates, earth excavation, backfilling, compacted CA-7 aggregate bedding material and necessary grading.

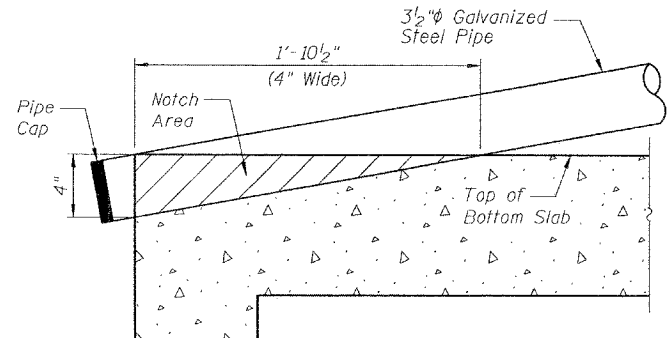
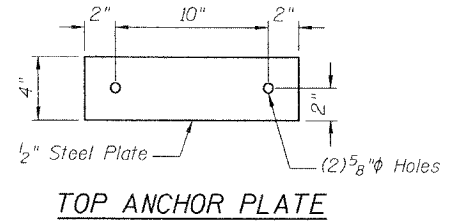
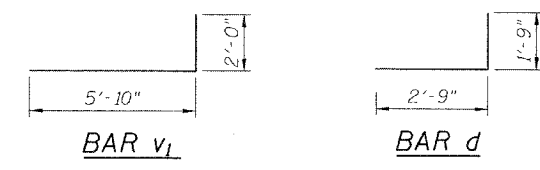
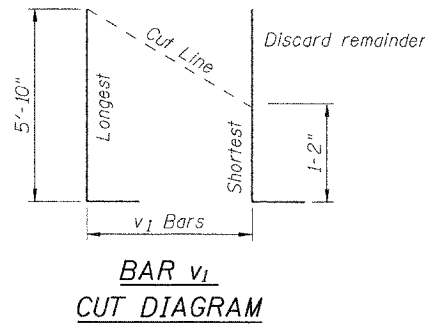
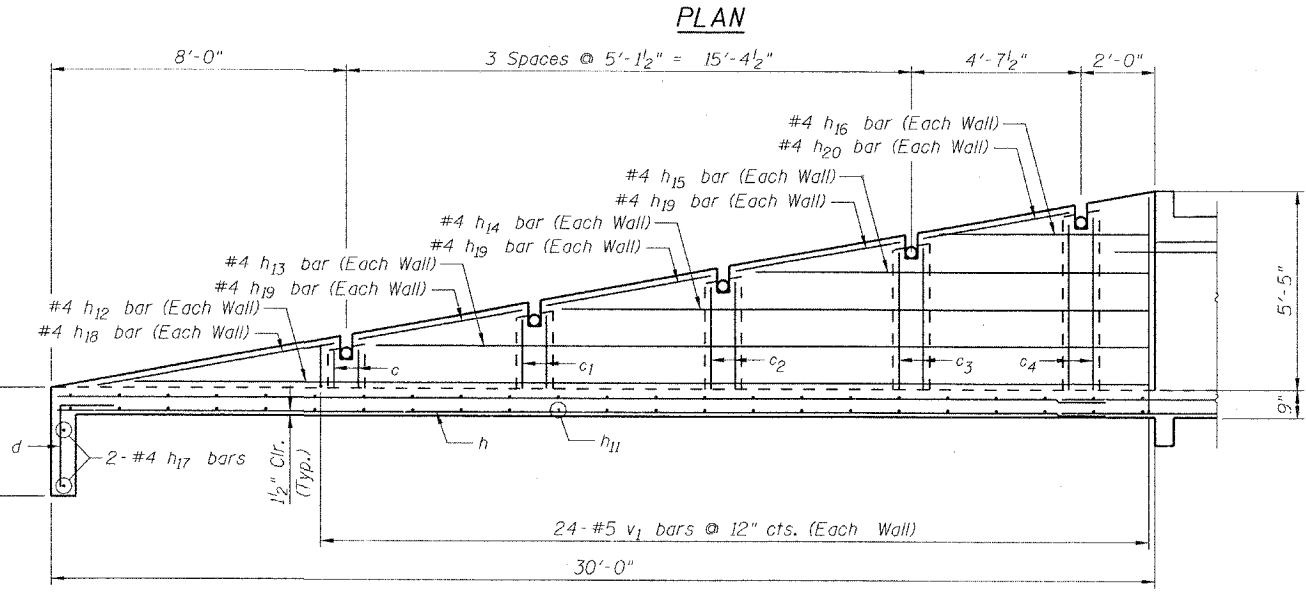
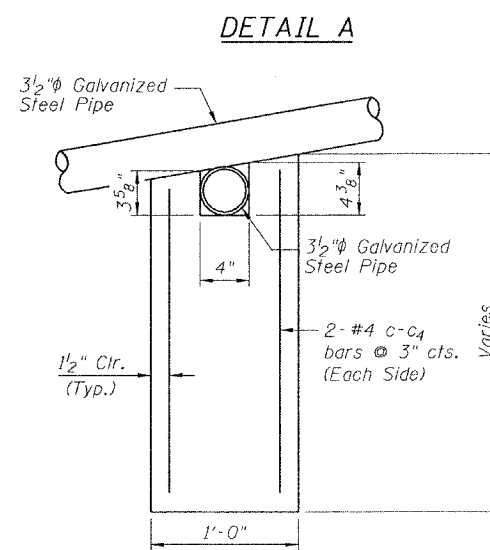
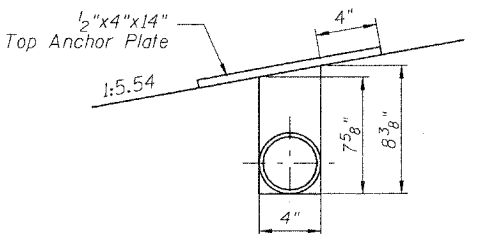
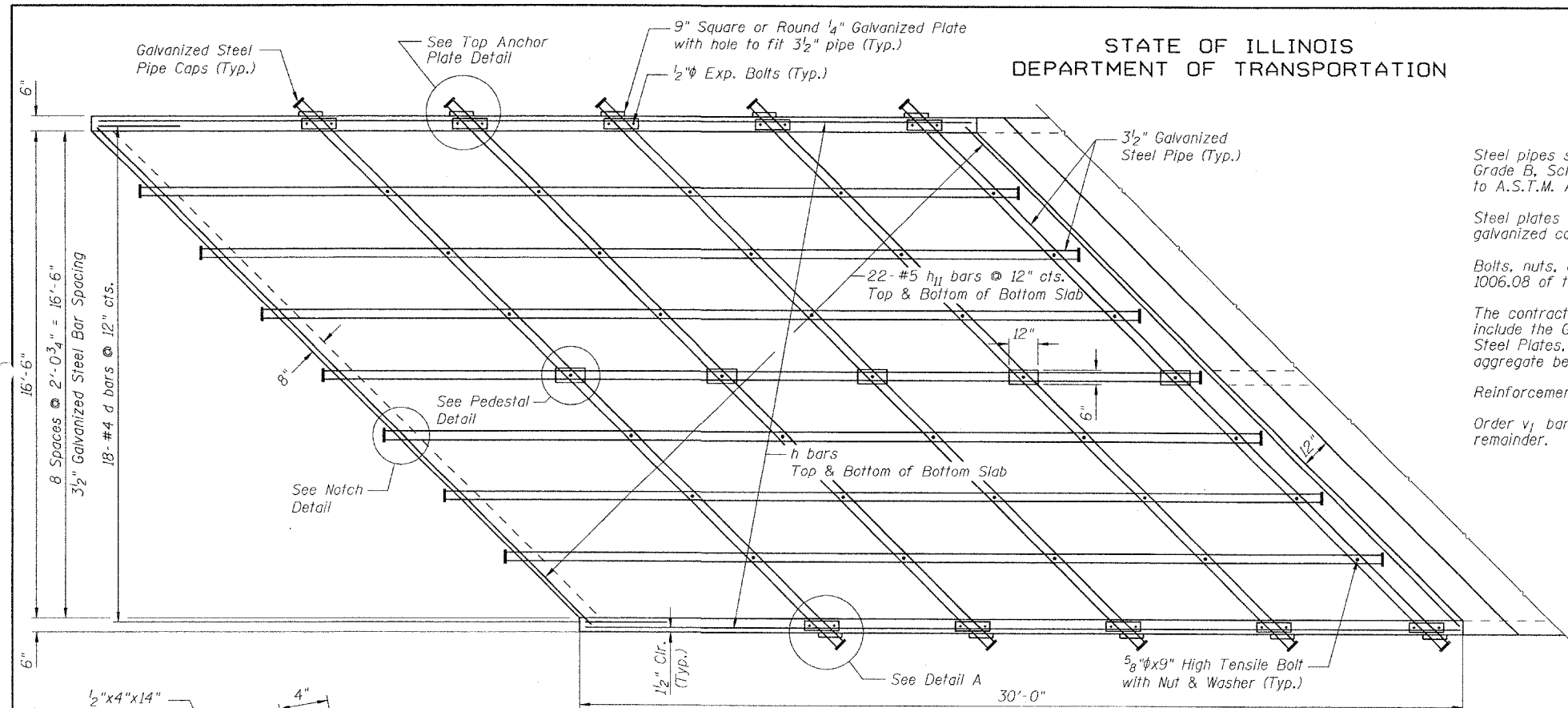
Reinforcement bars will be paid for separately.

Order  $v_1$  bars full length. Cut to fit as shown and discard remainder.

BILL OF MATERIAL

Bar	No.	Size	Length	Shape
c	4	#4	11"	—
c <sub>1</sub>	4	#4	1'-10"	—
c <sub>2</sub>	4	#4	2'-9"	—
c <sub>3</sub>	4	#4	3'-8"	—
c <sub>4</sub>	4	#4	4'-6"	—
d	18	#4	4'-6"	┘
h <sub>11</sub>	44	#5	24'-2"	—
h <sub>12</sub>	2	#4	27'-6"	—
h <sub>13</sub>	2	#4	21'-0"	—
h <sub>14</sub>	2	#4	15'-11"	—
h <sub>15</sub>	2	#4	10'-8"	—
h <sub>16</sub>	2	#4	5'-8"	—
h <sub>17</sub>	2	#4	24'-2"	—
h <sub>18</sub>	2	#4	6'-6"	—
h <sub>19</sub>	6	#4	4'-6"	—
h <sub>20</sub>	2	#4	4'-0"	—
v <sub>1</sub>	48	#5	7'-10"	┘

Item	Unit	Quantity
Concrete Box Culverts	Cu. Yd.	19.3
Reinforcement Bars	Pound	1,760
3 1/2" Galvanized Steel Pipe	5@26'	130
Galvanized Steel Pipe Caps	Each	24
9" Square or 1/4" Galvanized Steel Plate	Each	10
1/2"x4"x14" Galvanized Steel Plate	Each	10
5/8"x9" Galvanized Steel Bolts	Each	35
1/2" Galvanized Exp. Bolts	Each	20



DESIGNED	LAS
CHECKED	DAZ
DRAWN	SAW
CHECKED	LAS

GRATED EXTENSION  
US ROUTE 20/IL ROUTE 84  
OVER UNNAMED TRIBUTARY  
TO SMALLPOX CREEK  
F.A.P. 301 SECTION 29T-1  
JO DAVIESS COUNTY  
STATION 924+32.00  
STRUCTURE NO. 043-1077