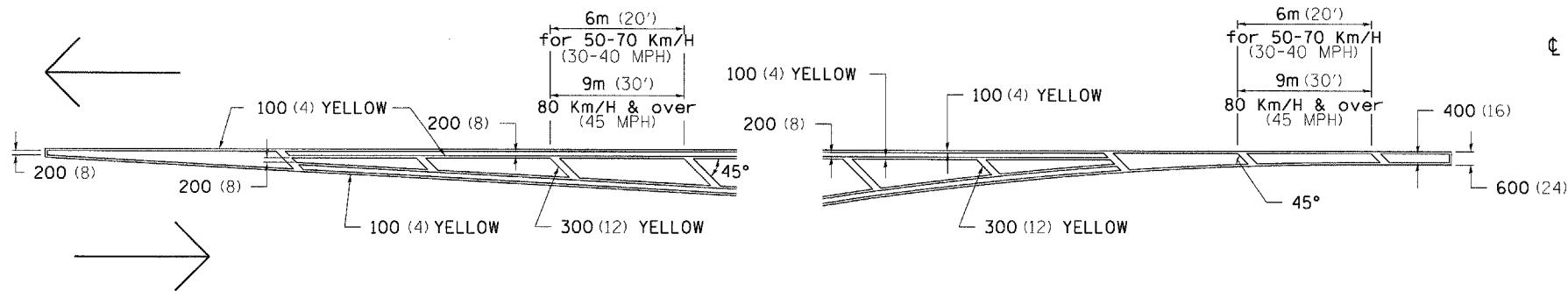
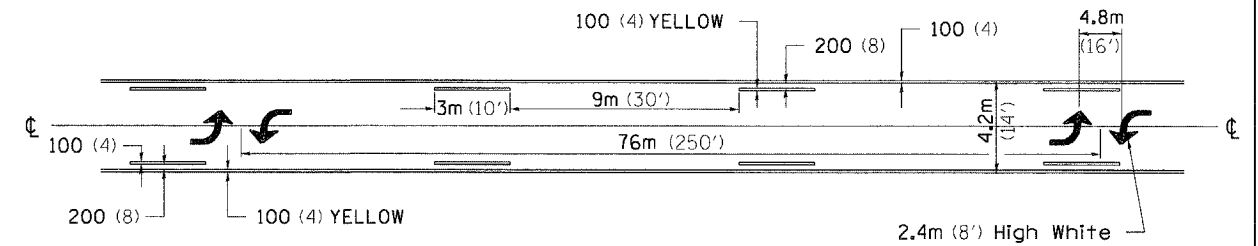


# TYPICAL PAVEMENT MARKINGS

## TYPICAL PAVEMENT MARKING FOR FLUSH MEDIAN AT LEFT TURN LANE

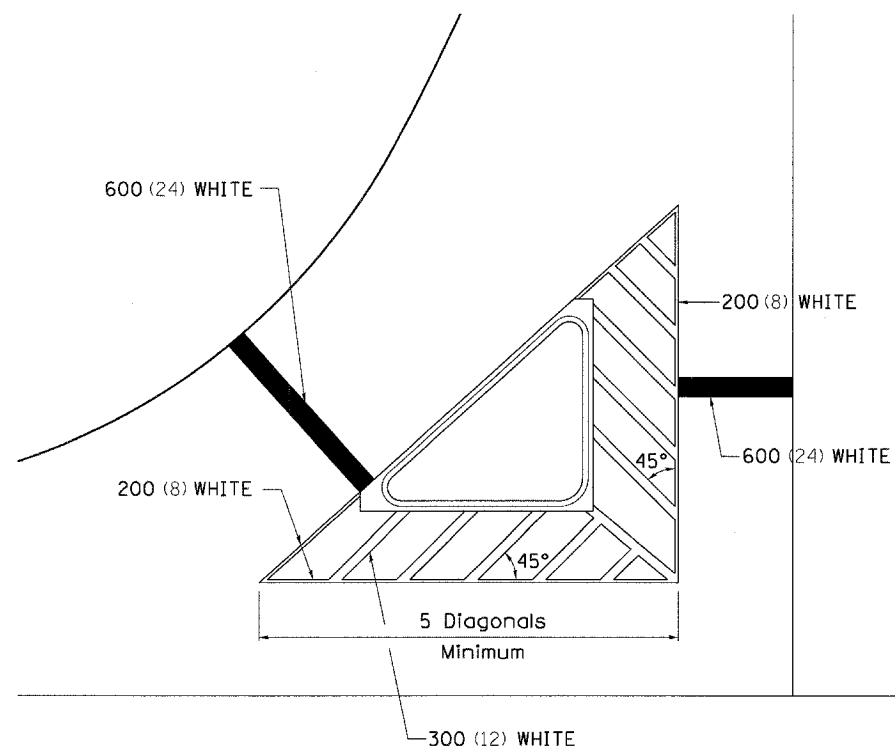


## MEDIAN PAVEMENT MARKING

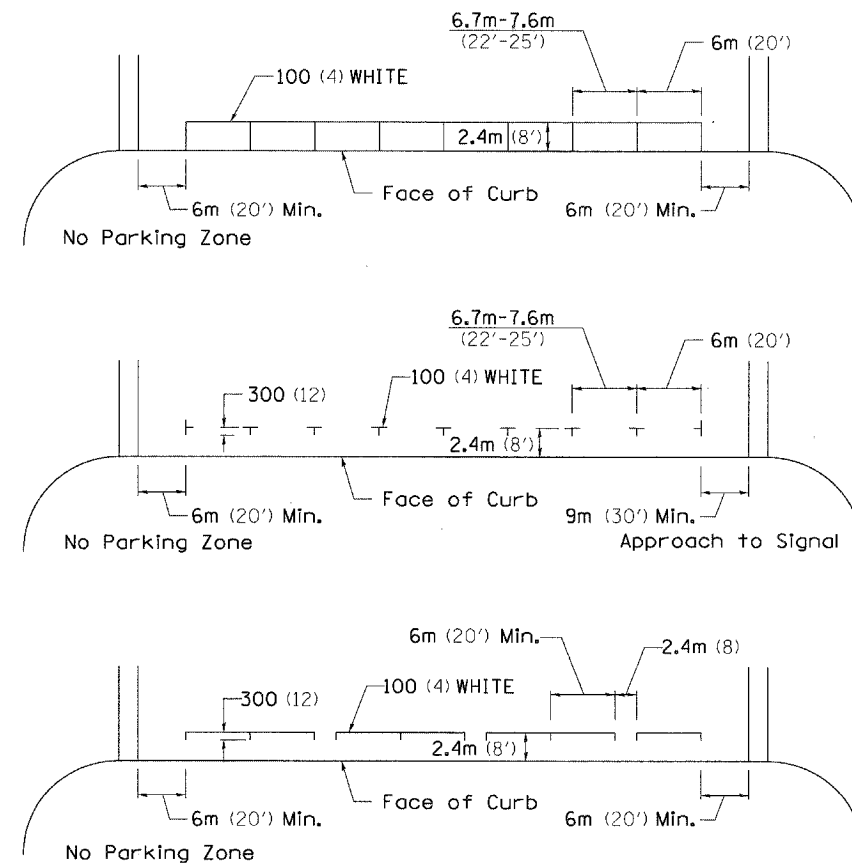


•• ALL DIMENSIONS ARE IN MILLIMETERS (INCHES) UNLESS OTHERWISE NOTED.

## TYPICAL ISLAND OFFSET SHOULDER WIDTH

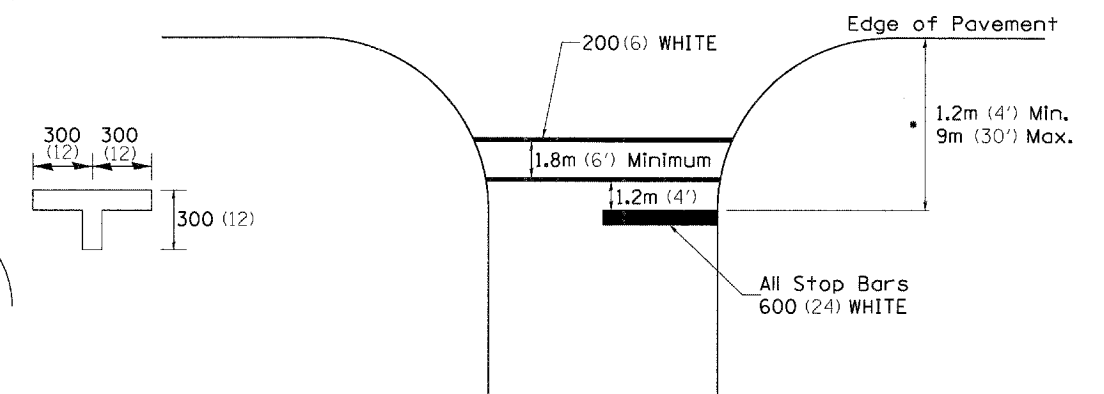


## TYPICAL PARKING SPACING



## STANDARD CROSSWALK MARKING

See Schedules for Locations



• Distance to the nearest edge of the intersecting roadway in the absence of a marked crosswalk.

FILE NAME =	USER NAME = IDOTCAD	DESIGNED - SPF	REVISED - 1-11-08
P:\2298-01 - US 20 Box Culvert\microstation files\00 Sheet Files\Z12106DET.dgn		DRAWN - AJP	REVISED -
PLOT SCALE = 30.0000' / 1"		CHECKED - JMS	REVISED -
PLOT DATE = 3/25/2008		DATE - 3-28-08	REVISED -

STATE OF ILLINOIS  
DEPARTMENT OF TRANSPORTATION

REGION 2 / DISTRICT 2 STANDARD  
TYPICAL PAVEMENT MARKINGS SHEET 1 OF 2 41.1

F.A. RTE.	SECTION	COUNTY	TOTAL SHEETS	SHEET NO.
301	29T-1	JO DAVIESS	30	20
CONTRACT NO. 64C58				

SCALE: SHEET NO. 4 OF 7 SHEETS STA. TO STA.

FED. ROAD DIST. NO. ILLINOIS FED. AID PROJECT