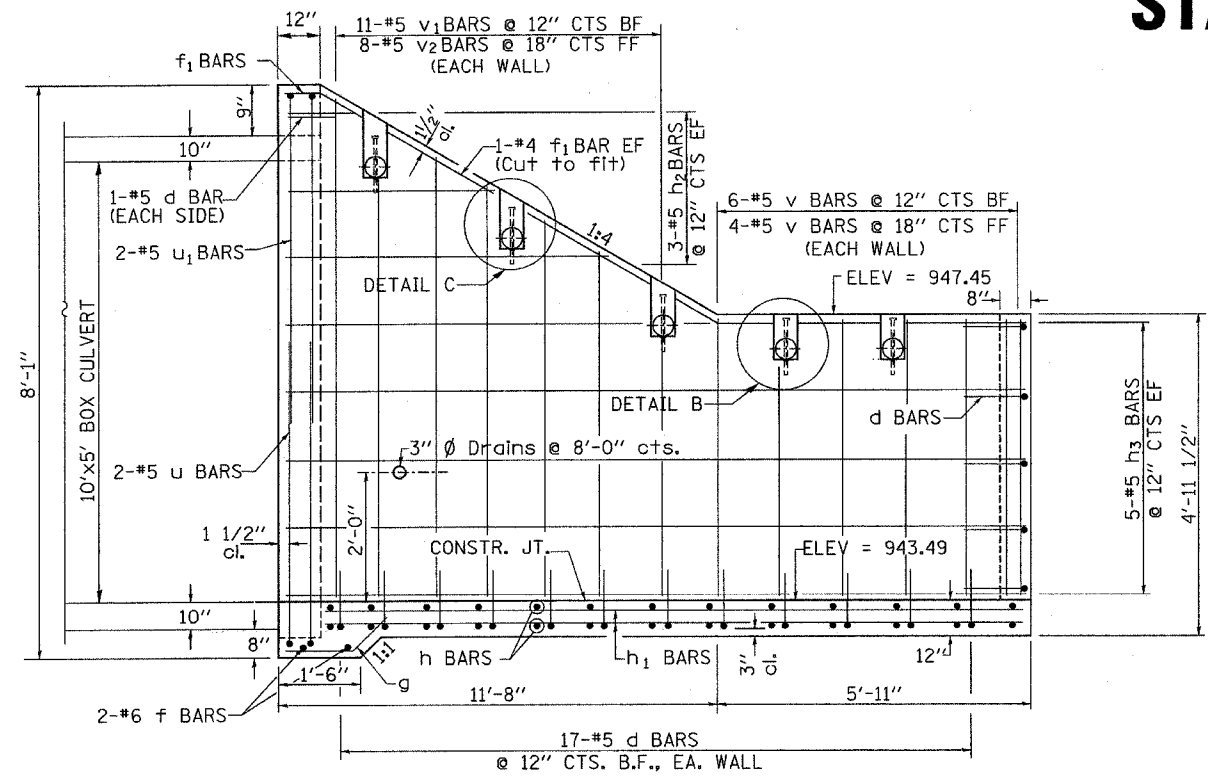


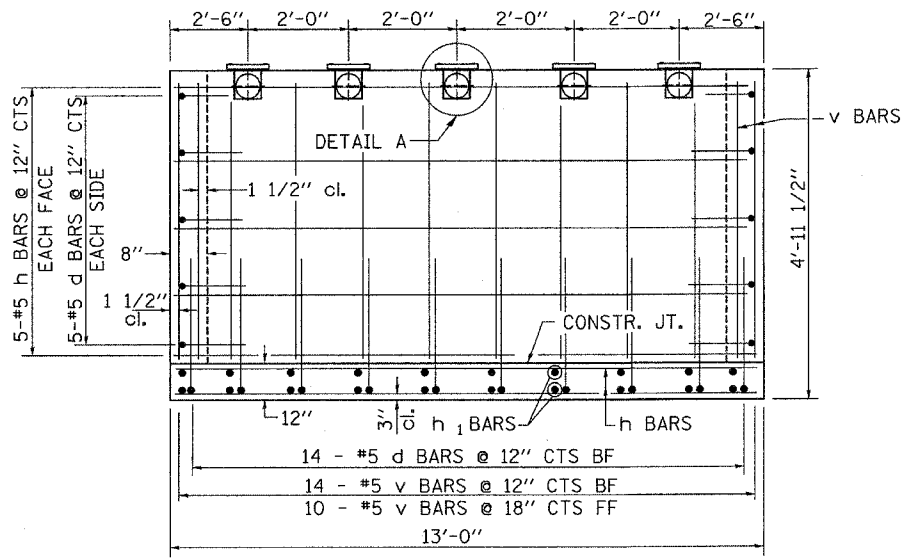
F.A.S. RTE.	SECTION	COUNTY	TOTAL SHEETS	SHEET NO.
1177	(110,111)T	LEE	59	25
STA.		TO STA.		
FED. ROAD DIST. NO.	ILLINOIS	FED. AID PROJECT		

DROP BOX NO. 2

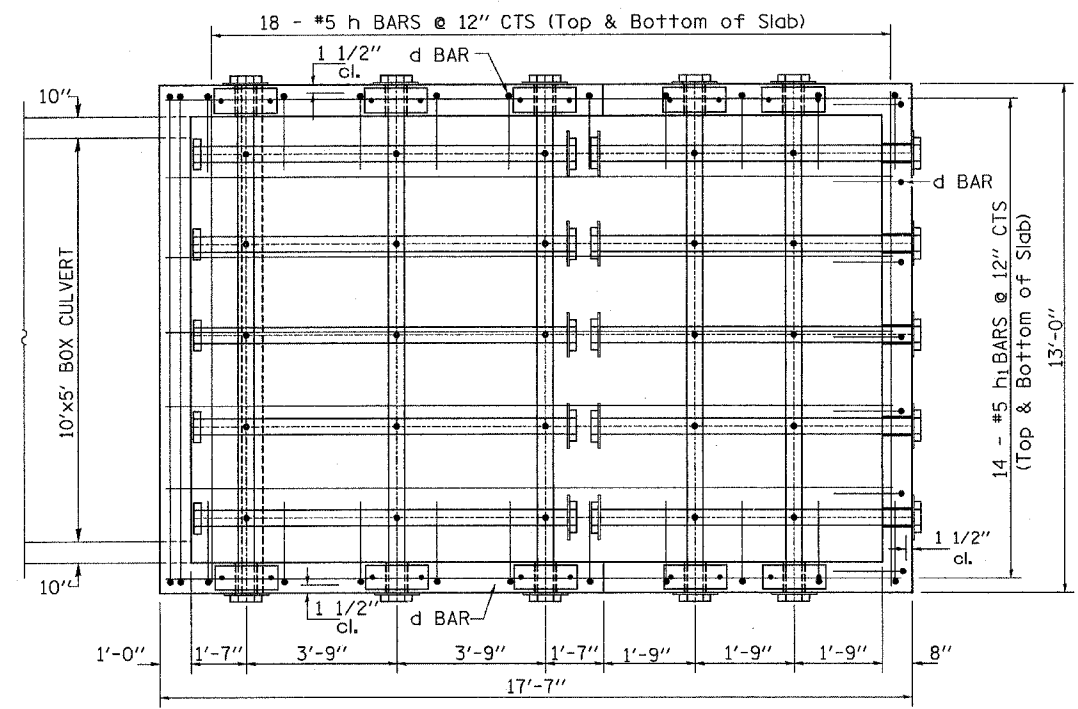
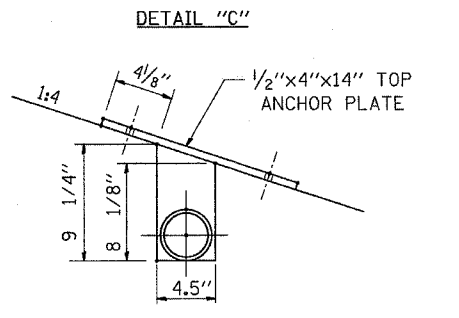
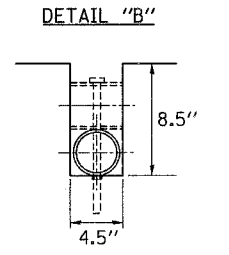
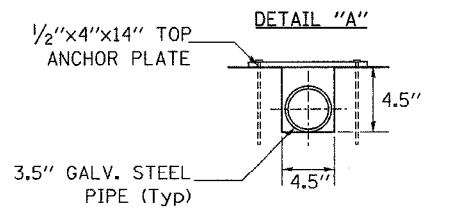
STA. 261 + 52



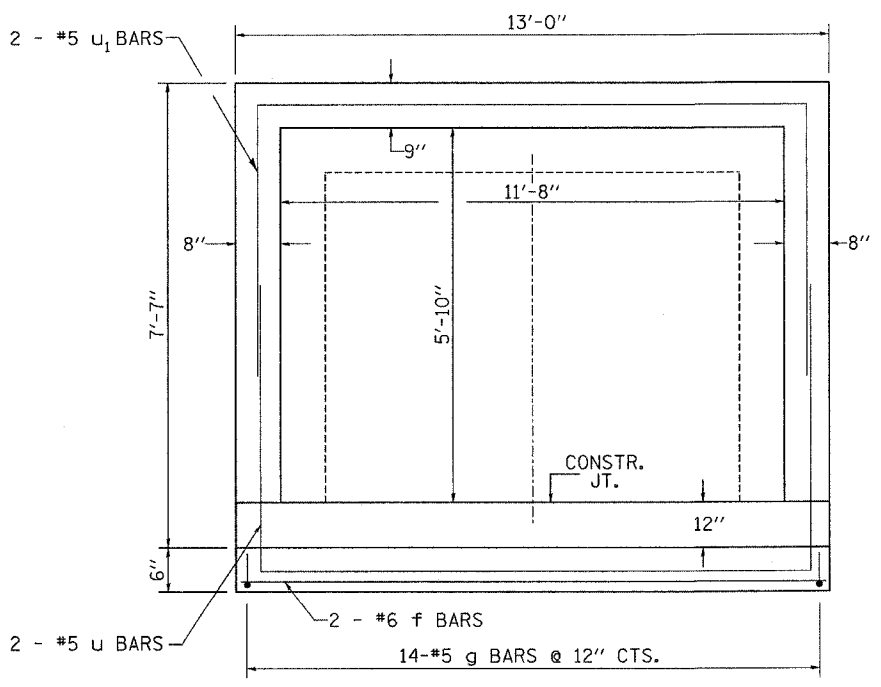
SIDEWALLS



BACK WALL



BOTTOM SLAB



HEADWALL



James O. Hamilton
2/15/08
Expires 11/30/08

PLOT DATE = 2/14/2008
FILE NAME = V:\Bridges\2244-15\drawings\out\dgn
PLOT SCALE = 4/8"=1' IN.
USER NAME = bndob.