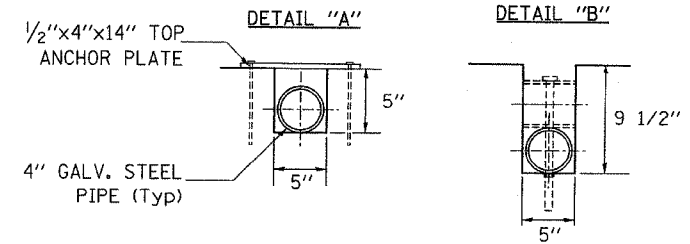


F.A.S. RTE.	SECTION	COUNTY	TOTAL SHEETS	SHEET NO.
1177	(110,111)T	LEE	59	28
STA.		TO STA.		
FED. ROAD DIST. NO.		ILLINOIS FED. AID PROJECT		

DROP BOX NO. 3

LT STA 277+15



BILL OF MATERIAL

(For Information Only)

BAR	SIZE	NO.	LENGTH	SHAPE
d	5	82	5'-10"	┌
f	6	2	21'-1"	—
g	5	22	2'-3"	┌
h	5	20	21'-1"	—
h1	5	44	9'-1"	—
h2	5	20	21'-1"	—
h3	5	20	9'-1"	—
v	5	104	3'-10"	—
u	5	2	27'-5"	┌
u1	5	2	26'-9"	┌
DESCRIPTION	UNIT	QTY		
CONCRETE STRUCTURES	CU YD	12.0		
REINFORCEMENT BARS	LB	2,630		
DESCRIPTION	UNIT	QTY.		
4" GALVANIZED STEEL PIPE	1@	21'-8"		
	9@	8'-8"		
4" GALVANIZED PIPE CAPS	EACH	20		
1/4" GALVANIZED STEEL PLATE (9" NOMINAL)	EACH	11		
1/2"x 4"x 14" GALVANIZED STEEL PLATE	EACH	11		
5/8"x 10" GALVANIZED STEEL BOLTS	EACH	9		

GENERAL NOTES:

This work shall be paid for at the contract unit price per Each for Drop Box No. 3.

This work shall be done according to the applicable portion of 503, 508, and 540 of the Standard Specifications.

Contractor shall field verify Galvanized pipe length

Exposed edges shall be beveled 3/4".

The contract unit price "each" for DROP BOX NO. 3 shall include the Expansion Bolts, Galvanized Pipe, Concrete Structures, Reinforcement Bars, Bolts, Nuts, Washers, Steel Plates, earth excavation where required, and necessary grading to fit the inlet as shown in the cross sections or to the slope

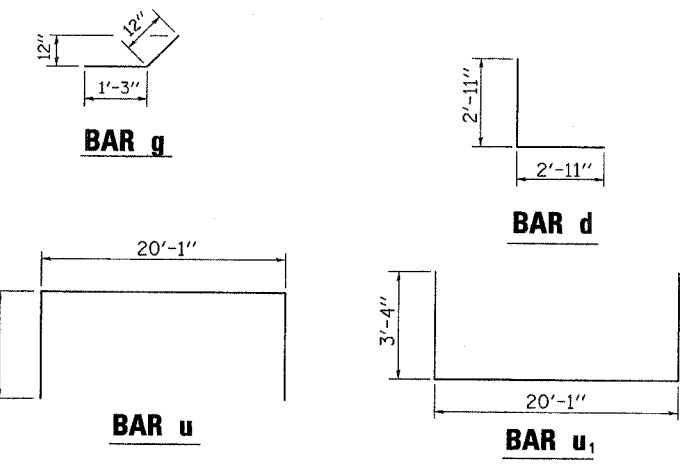
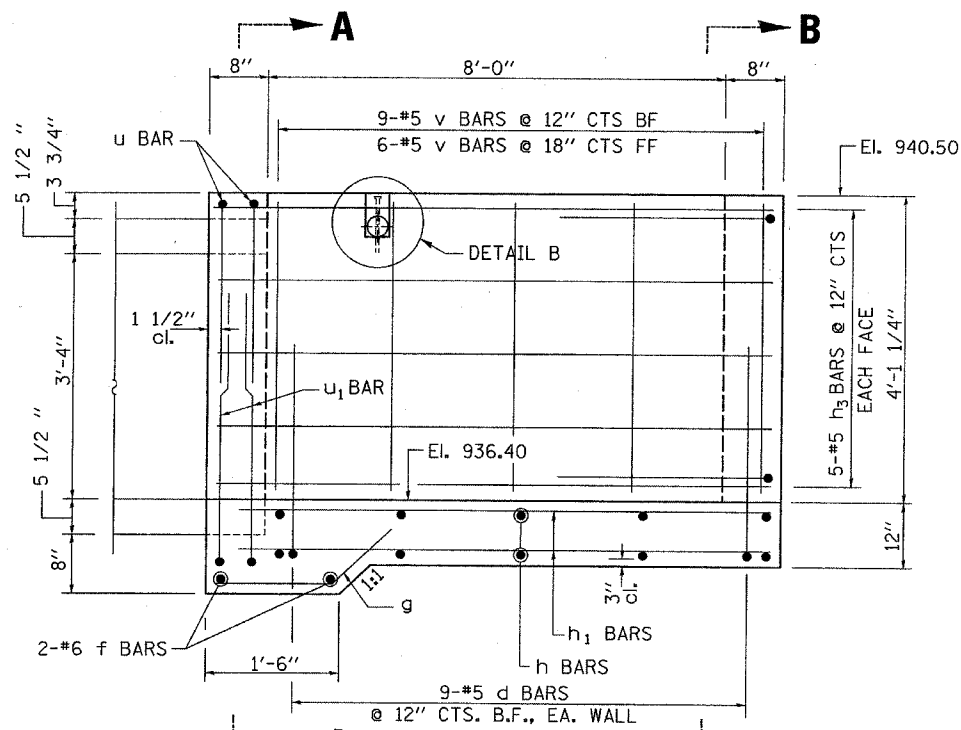
Reinforcement bars shall conform to the requirements of ASTM A 706 Gr. 60 (IL Modified). See Special Provisions.

Steel Plates shall conform to AASHTO M-183 and shall be Galvanized conforming to AASHTO M-111.

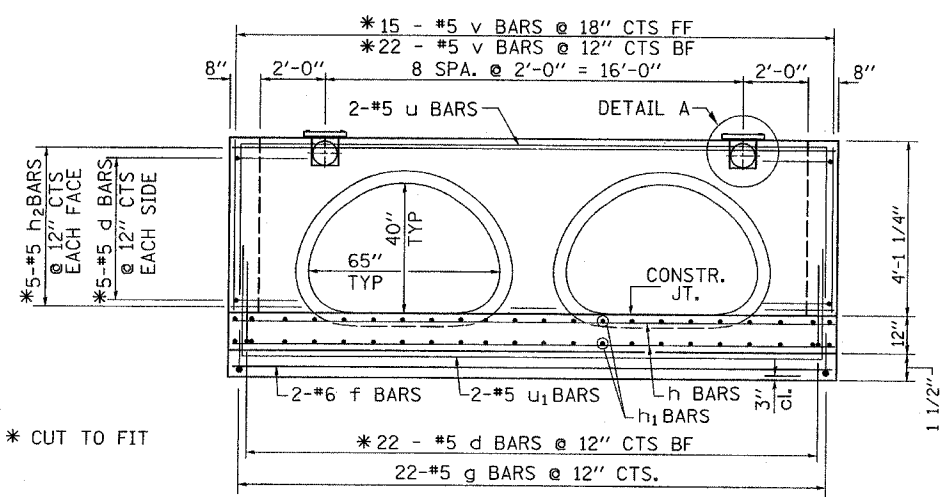
Bolts, Nuts, and Washers shall be in accordance with Article 505 of the Standard Specification and shall be galvanized.

See Plan & Profile Sheet for more information.

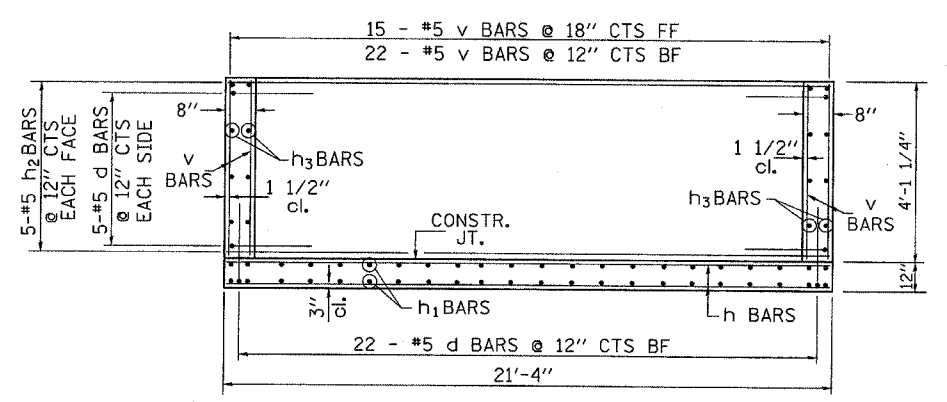
See Cross Section Sheet for more information.



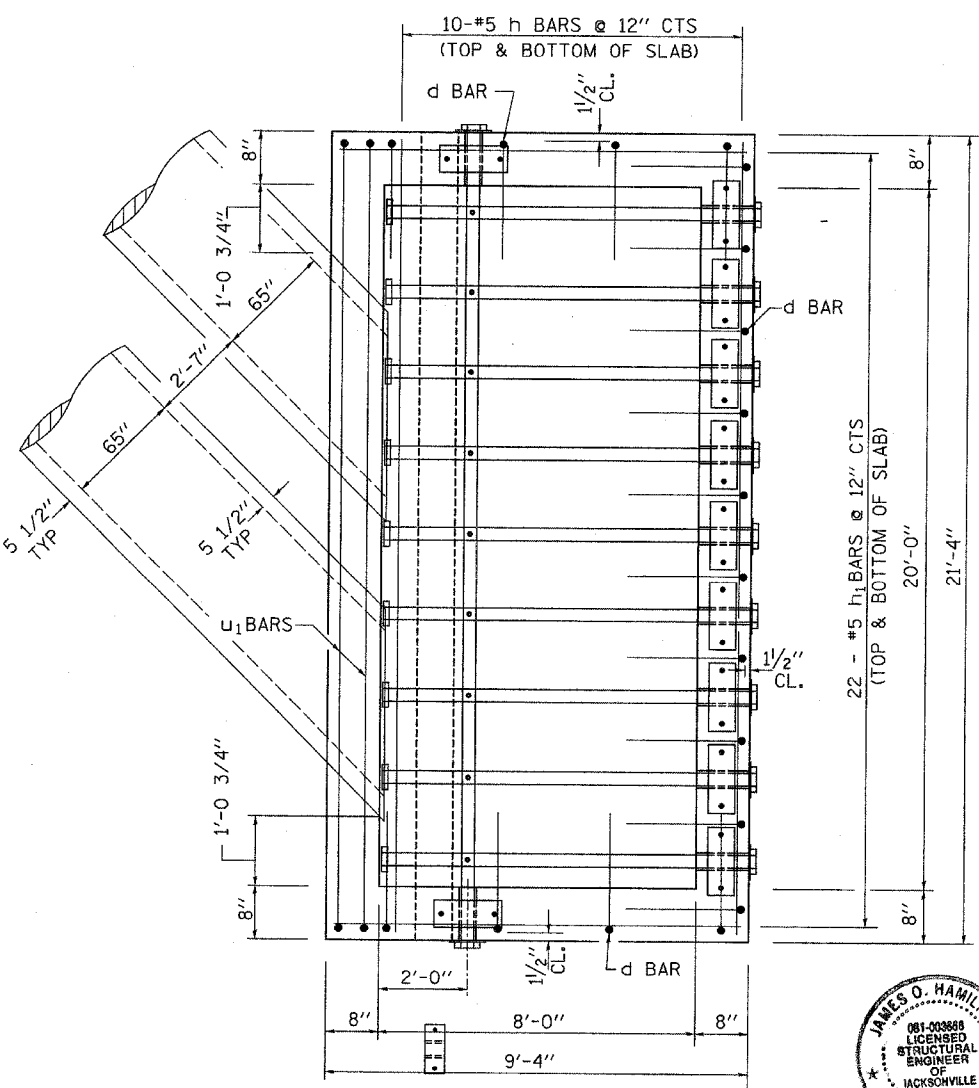
SIDEWALLS



SECTION A-A



SECTION B-B



BOTTOM SLAB

CUT ARCHED PIPES TO FIT IN FIELD



James O. Hamilton
2/15/08
Expires 11/30/08

PLOT DATE = 2/14/2008
PLOT SCALE = 1/8" = 1'-0"
USER NAME = bms281