

Existing Structure: The existing weigh station was built in 1966 as FAI 80, Sec. 81-IWS-1, Rock Island County. The upper 1'-6" of concrete pit perimeter is to be removed and replaced. Traffic to be detoured.

STATE OF ILLINOIS
DEPARTMENT OF TRANSPORTATION

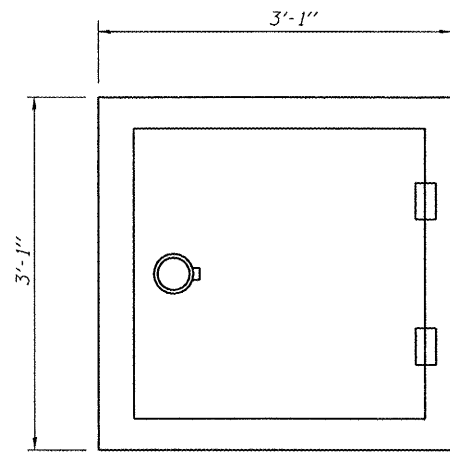
ROUTE NO.	SECTION	COUNTY	SHEET NO.	SHEET	SHEET NO. 1
FAI 80	*	Rock Island	13	1	5 SHEETS
FED. ROAD DIST. NO. 7	ILLINOIS	FED. AID PROJECT			
		Contract #64D93		*(81-IWS-2)M-1	

INDEX OF SHEETS

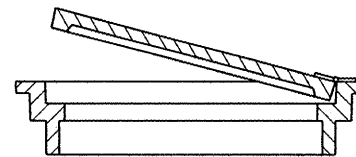
1. General Data
2. General Plan & Elevation
3. Concrete Removal Details
- 4.-5. Concrete Pit Details

GENERAL NOTES

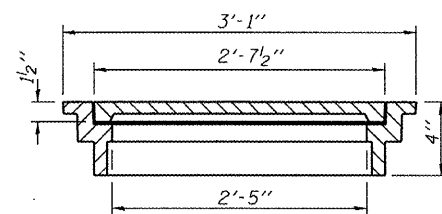
Reinforcement bars shall conform to the requirements of ASTM A 706 Gr 60 (IL Modified). See Special Provisions
Reinforcement bars designated (E) shall be epoxy coated.
Plan dimensions and details relative to existing plans are subject to routine variations. The Contractor shall field verify existing dimensions and details affecting new construction and make necessary approved adjustments prior to construction or ordering of materials. Such variations shall not be cause for additional compensation for a change in scope of the work, however, the Contractor will be paid for the quantity actually furnished based upon the unit price bid for the work.
The existing structural steel coating contains lead. The Contractor shall take appropriate precautions to deal with the presence of lead on this project.
Protective coat shall be applied to the top face of the new concrete.



PLAN



ELEVATION
(Showing hinge)



ELEVATION

MANHOLE LID & FRAME

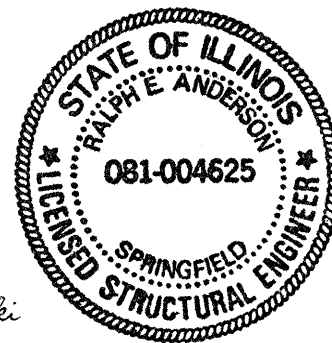
Note: The Manhole Lid and Frame shall be cast iron, heavy duty, manufactured by Neenah Foundry Company, Catalog No. R-6665-2PH. The cost shall include the Furnishing and Installation of the Manhole Lid and Frame and shall be for Manholes, Special paid for at the unit price each.

SCOPE OF WORK

1. Remove and replace existing manhole frame and lid.
2. Remove and replace the top 1'-6" of the concrete pit on the perimeter of the 4 platform scales.

TOTAL BILL OF MATERIAL

ITEM	UNIT	SUPER	SUB	TOTAL
Concrete Removal	Cu. Yd.		11.6	11.6
Concrete Structures	Cu. Yd.		11.6	11.6
Protective Coat	Sq. Yd.		21	21
Furnishing and Erecting Structural Steel	Pound		3860	3860
Reinforcement Bars, Epoxy Coated	Pound		1080	1080
Manholes, Special	Each		1	1



LOADING HS20-44

No future wearing surface allowed

DESIGN SPECIFICATIONS

1996 AASHTO w/ 1997 thru 2002 Interims

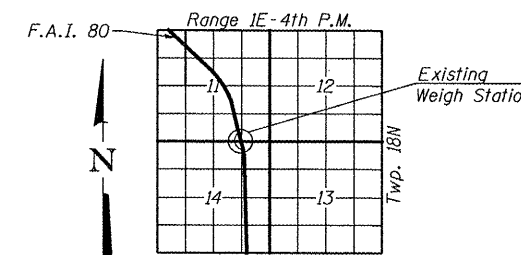
DESIGN STRESSES

NEW CONSTRUCTION

$f'_c = 3,500$ psi
 $f_y = 60,000$ psi (Reinforcement)
 $f_y = 36,000$ psi (Structural Steel AASHTO M270 Grade 36)

FIELD UNITS

$f_c = 1,000$ psi (Pit)
 $f_s = 20,000$ psi (Reinforcement)
 $f_s = 20,000$ psi (Structural Steel)



LOCATION SKETCH

GENERAL DATA
ROCK ISLAND WEIGH STATION
F.A.I. ROUTE 80 SEC. (81-IWS-2)M-1
ROCK ISLAND COUNTY
STATION 144+00.00

DESIGNED	Patrick M. Petrone
CHECKED	Stephen M. Ryan
DRAWN	BECKY M. LEACH
CHECKED	pmp/SMR

May 7, 2008
EXAMINED Thomas J. Domagala
PASSED Robert C. Anderson
ENGINEER OF BRIDGES AND STRUCTURES

EXPIRES 11-30-2008