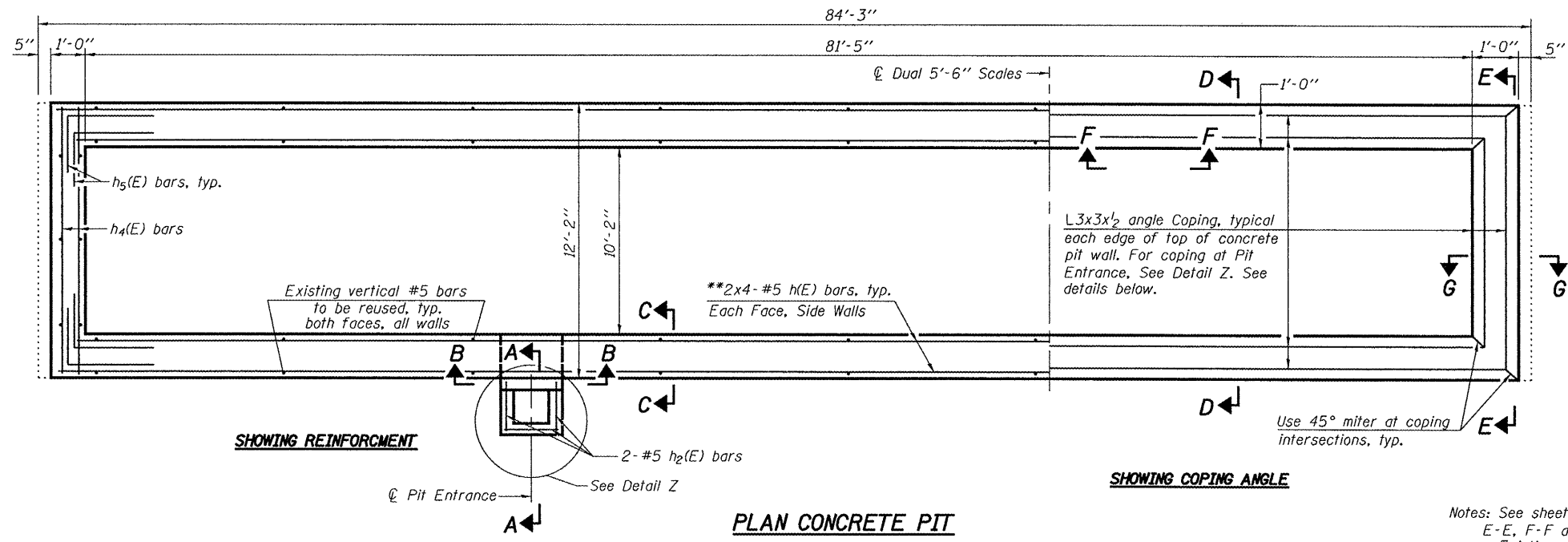


STATE OF ILLINOIS
DEPARTMENT OF TRANSPORTATION

ROUTE NO.	SECTION	COUNTY	SHEET	SHEET NO.
FAI 80	*	Rock Island	18	15
FED. ROAD DIST. NO. 7		ILLINOIS	FED. AID PROJECT	
				Contract #64D93 *(81-IWS-2)M-1

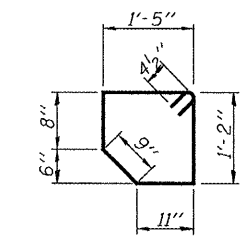


SHOWING REINFORCEMENT

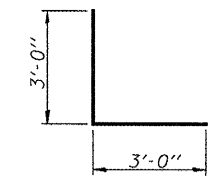
SHOWING COPING ANGLE

PLAN CONCRETE PIT
(Platform decks, existing steel, existing concrete pedestals and approach slab not shown)

Notes: See sheet 5 of 5 for Sections A-A, D-D, E-E, F-F and G-G.
Existing reinforcement extending into removed areas shall be cleaned, straightened and incorporated into the new construction. Cost included with Concrete Removal.

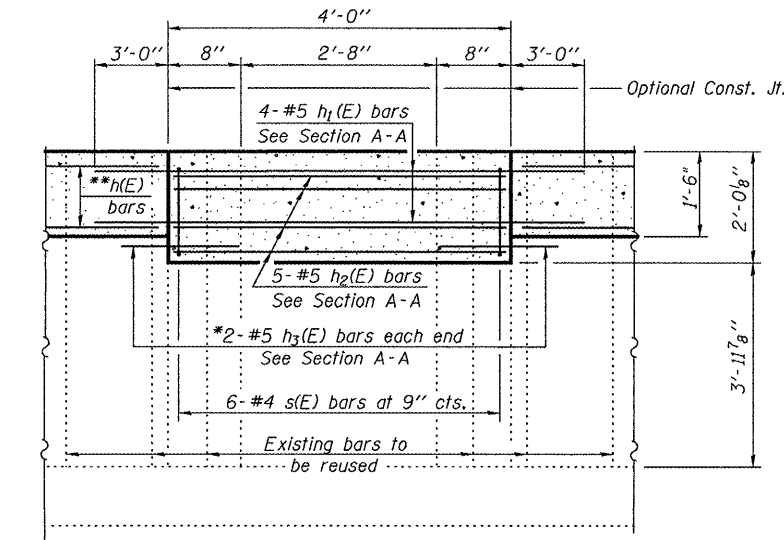


BAR s(E)

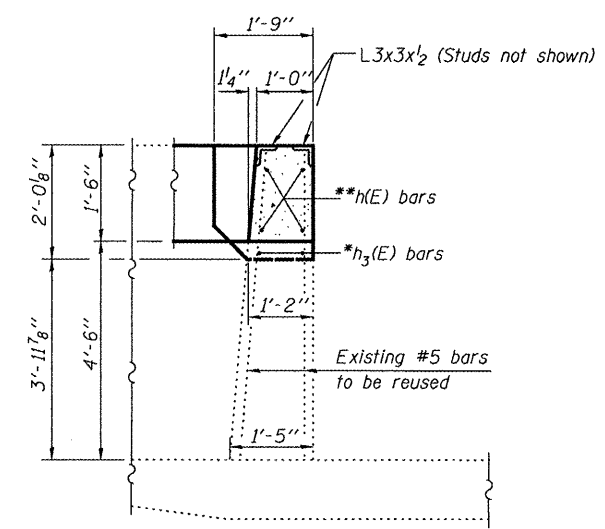


BAR h5(E)

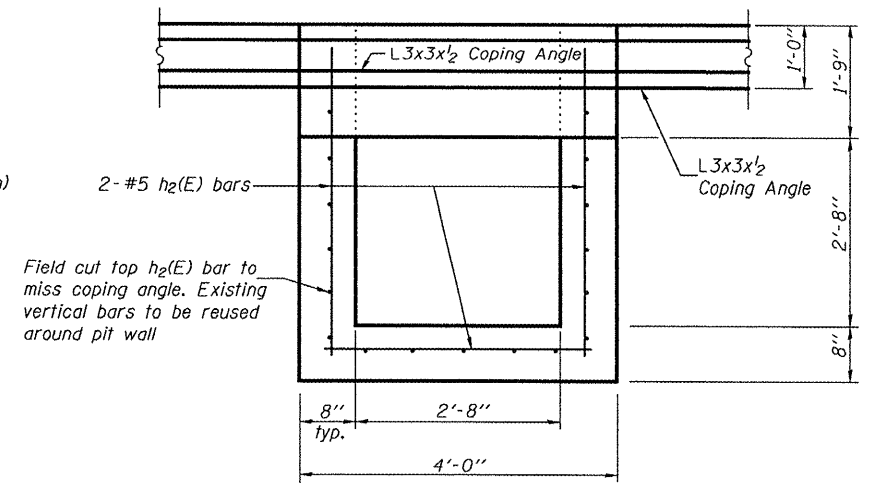
MIN. BAR LAP
#5 Bar = 2'-2"



SECTION B-B
(Coping angles not shown)



SECTION C-C



DETAIL Z-PLAN VIEW AT PIT ENTRANCE
(Proposed manhole frame and lid not shown)

BILL OF MATERIAL

Bar	No.	Size	Length	Shape
h(E)	32	#5	22'-8"	—
h1(E)	4	#5	10'-0"	—
h2(E)	11	#5	3'-9"	—
h3(E)	4	#5	3'-1"	—
h4(E)	8	#5	11'-10"	—
h5(E)	16	#5	6'-0"	L
s(E)	6	#4	5'-8"	□
Reinforcement Bars, Epoxy Coated		Pound	1080	
Concrete Structures		Cu. Yd.	11.6	

Bars indicated thus 4x4-#5 etc. indicates 4 lines of bars with 4 lengths per line.

CONCRETE PIT DETAILS
ROCK ISLAND WEIGH STATION
F.A.I. ROUTE 80 SEC. (81-IWS-2)M-1
ROCK ISLAND COUNTY
STATION 144+00.00

DESIGNED Patrick Petrone
CHECKED Stephen M. Ryan
DRAWN DECKY M. LEACH
CHECKED PMP/SMR

May 7, 2008
EXAMINED Thomas J. Demas
PASSED Robert E. Anderson
ENGINEER OF BRIDGES AND STRUCTURES