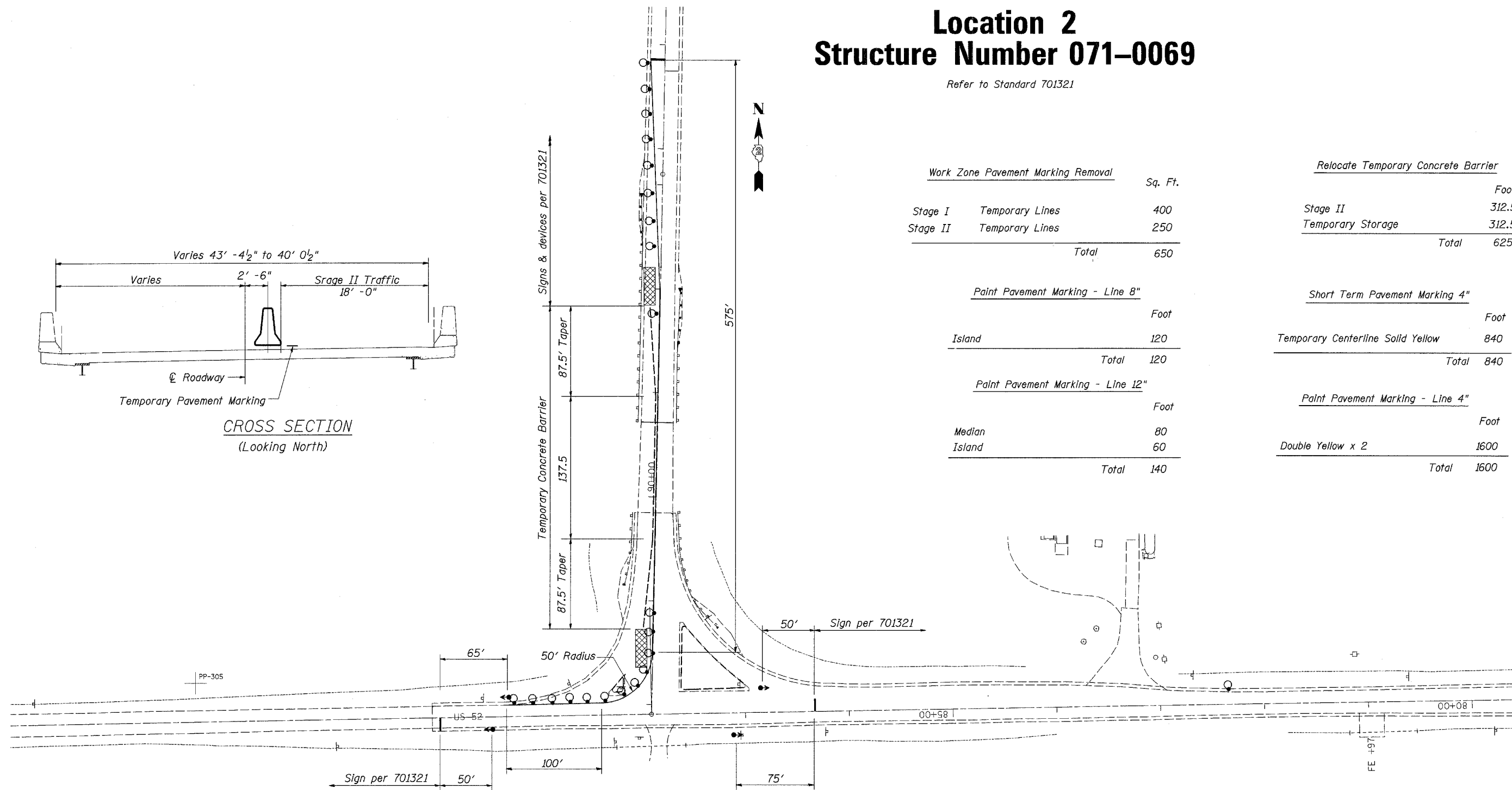
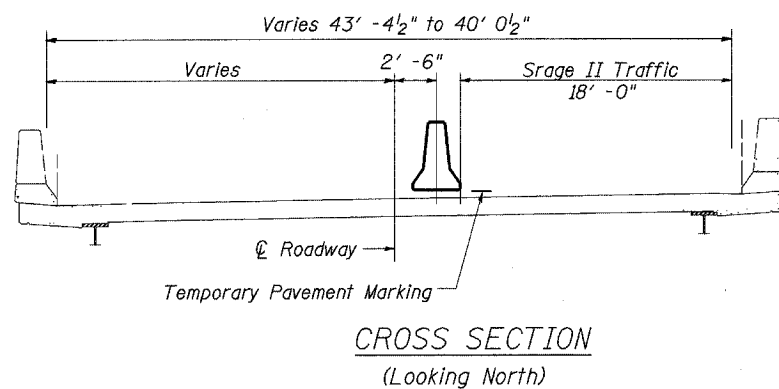


Traffic Control Plan Location 2 Structure Number 071-0069

Refer to Standard 701321



Work Zone Pavement Marking Removal		Sq. Ft.
Stage I	Temporary Lines	400
Stage II	Temporary Lines	250
Total		650

Relocate Temporary Concrete Barrier		Foot
Stage II		312.5
Temporary Storage		312.5
Total		625

Paint Pavement Marking - Line 8"		Foot
Island		120
Total		120

Short Term Pavement Marking 4"		Foot
Temporary Centerline Solid Yellow		840
Total		840

Paint Pavement Marking - Line 12"		Foot
Median		80
Island		60
Total		140

Paint Pavement Marking - Line 4"		Foot
Double Yellow x 2		1600
Total		1600

Stage II

TRAFFIC CONTROL PLAN
IL 26 OVER BUFFALO CREEK
VARIOUS ROUTES
SECTION (106BR)M, (4B-2)M & (177-4B-3)M
VARIOUS COUNTIES
STRUCTURE NUMBER 071-0069

* Various
** (106BR)M, (4B-2)M & 177-4B-3)M

FILE NAME =	USER NAME = linkdj	DESIGNED -	REVISED -	STATE OF ILLINOIS DEPARTMENT OF TRANSPORTATION	Traffic Control Plan			F.A. RTE.	SECTION	COUNTY	TOTAL SHEETS	SHEET NO.	
CA:\BR\CADD plans\Various Counties\Contract #64D99 2008 expansion joints\0060028.dgn		DRAWN -	REVISED -		SCALE:	SHEET NO.	OF SHEETS	STA.	TO STA.	ILLINOIS	CONTRACT NO. 64D99	26	6
		CHECKED -	REVISED -							ILLINOIS	CONTRACT NO. 64D99		
		DATE -	REVISED -							ILLINOIS	CONTRACT NO. 64D99		