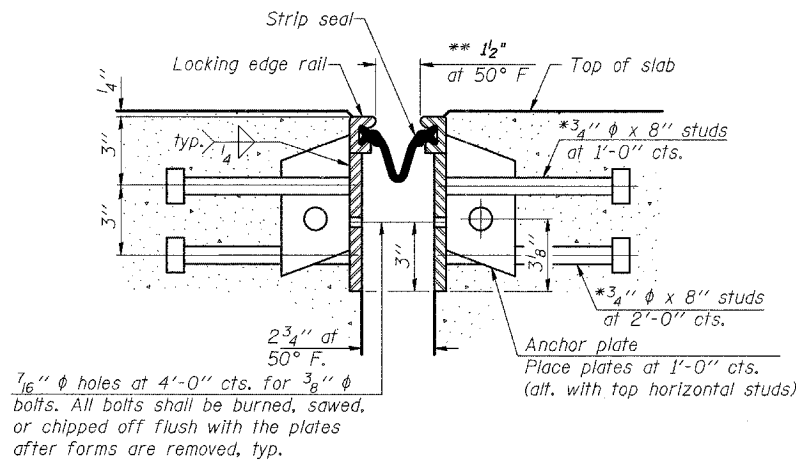
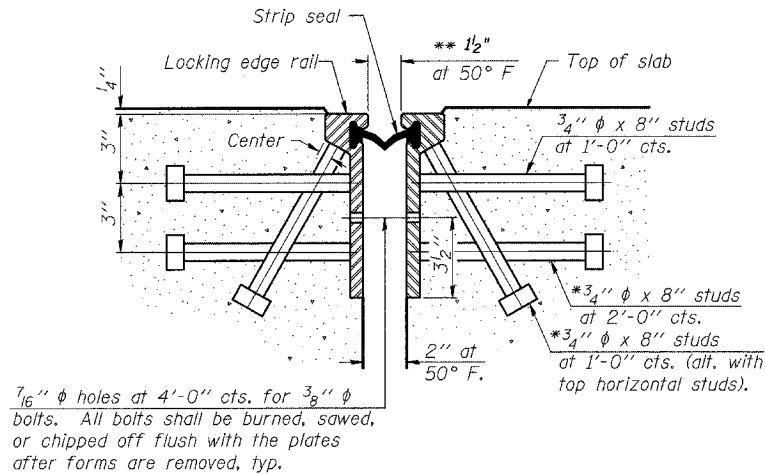


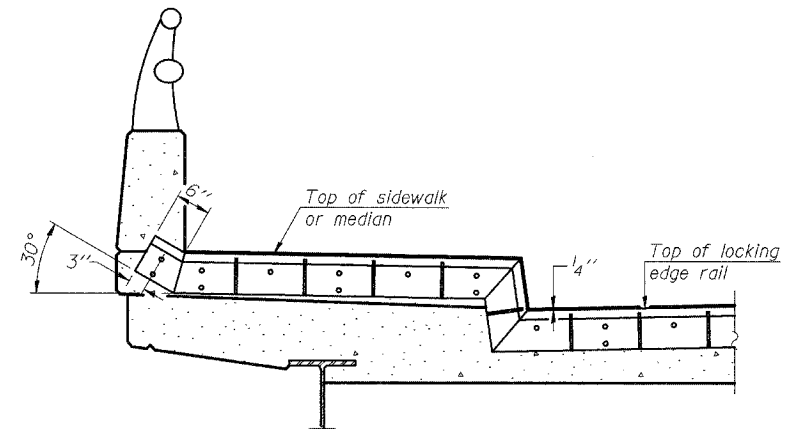
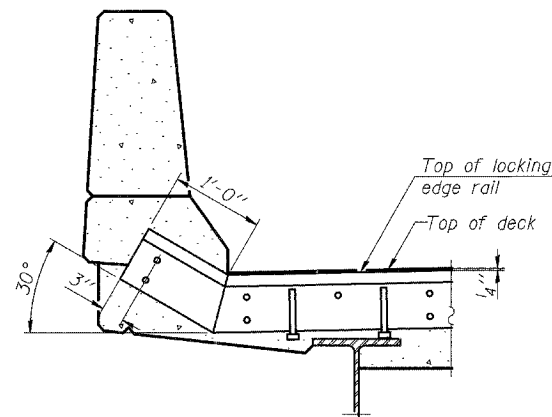
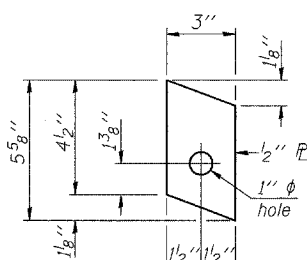
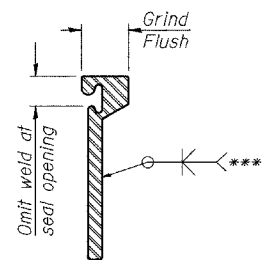
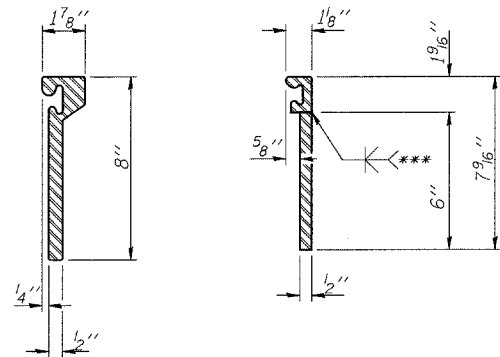
\*Granular or solid flux filled headed studs conforming to Article 1006.32 of the Std. Specs., automatically end welded.  
 \*\*When joint is fixed, dimension is set at 1 1/2".



Notes:  
 The strip seal shall be made continuous and shall have a minimum thickness of 1/4". The configuration of the strip seal shall match the configuration of the Locking Edge Rails. Open or "webbed" strip seal gland configurations are not permitted. The gland shall be sized for a maximum rated movement of 4 inches.  
 The height and thickness of the Locking Edge Rails shown are minimum dimensions. The actual configuration of the Locking Edge Rails and matching strip seal may vary from manufacturer to manufacturer. Flanged edge rails will not be allowed. Locking Edge Rails may be spliced at slope discontinuities and stage construction joints.  
 The manufacturer's recommended installation methods shall be followed.  
 The joint opening and deck dimensions detailed on the superstructure are based on a rolled rail expansion joint. If the Contractor elects to use the welded rail expansion joint, the opening and deck dimensions shall be modified according to the dimensions detailed on this sheet. Required modifications shall be made at no additional cost to the State.  
 All steel components shall be galvanized after fabrication according to Article 520.03 of the Standard Specifications.

**SECTION THRU ROLLED RAIL JOINT**

**SECTION THRU WELDED RAIL JOINT**



**AT PARAPET**

**AT SIDEWALK OR MEDIAN**

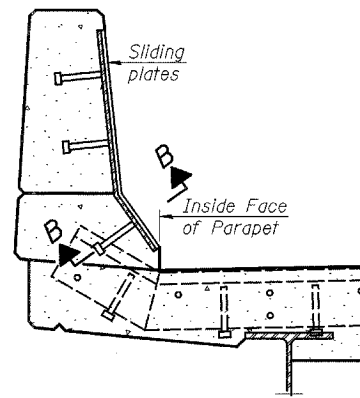
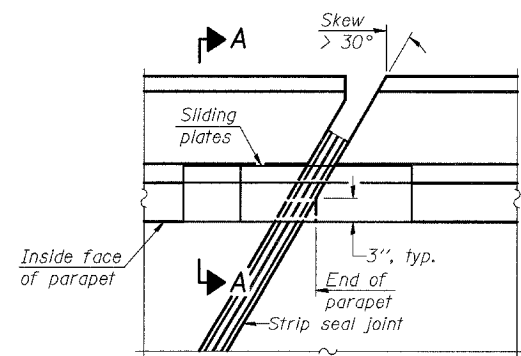
Shorter plates with a single row of studs at 12" cts. may be necessary on medians which are shallower than 9". See manufacturer's recommendation.

**ROLLED (EXTRUDED) RAIL WELDED RAIL**

**LOCKING EDGE RAIL SPLICE**

The inside of the locking edge rail groove shall be free of weld residue.

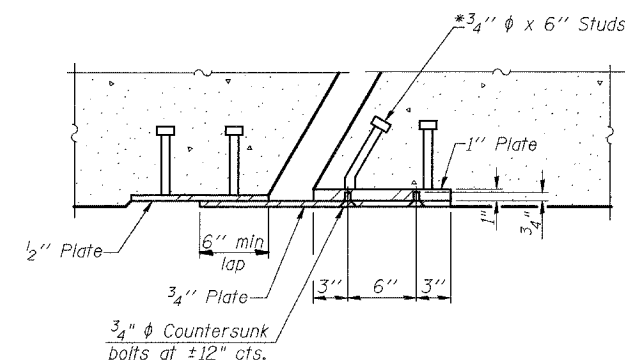
**LOCKING EDGE RAILS**



**SECTION A-A**

**POINT BLOCK DETAILS (for skews > 30°)**

**TYPICAL END TREATMENTS**



**BILL OF MATERIAL**

Item	Unit	Total
Preformed Joint Strip Seal	Foot	90

**PREFORMED JOINT STRIP SEAL  
 IL 26 OVER BUFFALO CREEK  
 FA ROUTE 38 (IL 26)  
 SECTION 4B-2  
 OGLE COUNTY  
 STRUCTURE NUMBER 071-0069**

EJ-SSJ 9-3-07

FILE NAME =	USER NAME = lrikdj	DESIGNED -	REVISED -
O:\BR\CADD\plans\Various Counties\Contract #64D99 2008 expansion joints\0060028.dgn		DRAWN -	REVISED -
PLOT SCALE = 50.0000' / IN.		CHECKED -	REVISED -
PLOT DATE = Sat Mar 15 11:13:08 2008		DATE -	REVISED -

**STATE OF ILLINOIS  
 DEPARTMENT OF TRANSPORTATION**

**Preformed Joint Strip Seal**

SCALE: None SHEET NO. 4 OF 5 SHEETS STA. TO STA.

F.A. RTE.	SECTION	COUNTY	TOTAL SHEETS	SHEET NO.
*	**	Various	26	20
ILLINOIS			CONTRACT NO. 64D99	
FED. ROAD DIST. NO. ILLINOIS FED. AID PROJECT				