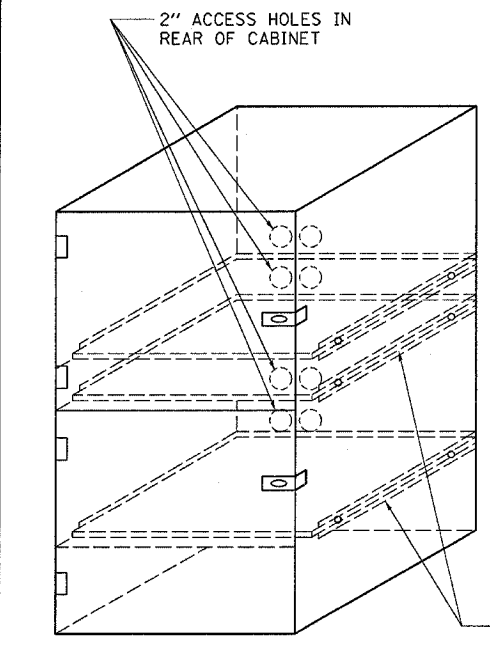
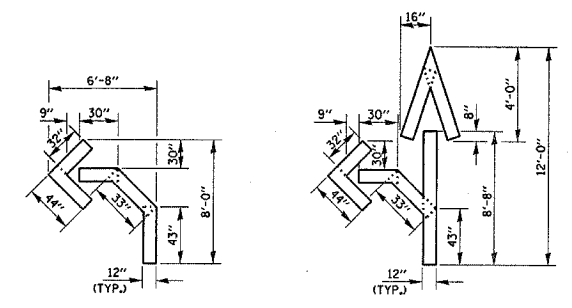


• ALLOWS FOR 1/8" CLEARANCE AT TOP AND BOTTOM OF CABINET AND BETWEEN DOORS.



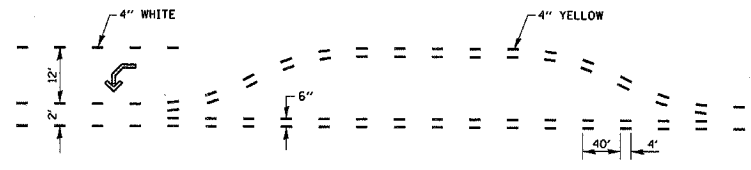
LOCKABLE COMPUTER CABINET

- NOTES:
1. USE 16 GAUGE STEEL FOR CABINET.
  2. THE TOP SHELF SHALL SLIDE IN OR OUT WITH THE TOP DOOR OPEN.
  3. ALL HINGES AND HASPS WILL BE WELDED TO THE CABINET.
  4. ALL EDGES SHALL BE GROUND SMOOTH.
  5. TWO (2" DIA.) ACCESS HOLES WILL BE REQUIRED FOR EACH SHELF.
  6. CABINET SHALL BE PAINTED WITH TWO COATS OF FLAT PAINT.
  7. 2 EACH MATCHING KEY PADLOCKS, WITH 3 KEYS PROVIDED, MASTER MODEL 3 T OR EQUIVALENT.
  8. 4 EACH PLAIN STEEL, NON-REMOVABLE PIN, NO HOLE 4"X4" SQUARE CORNER HINGES TO BE WELDED ON.
  9. 2 EACH EXTRA HEAVY, PLAIN STEEL, FIXED STAPLE, NO HOLE, 7/4" HASPS TO BE WELDED ON.

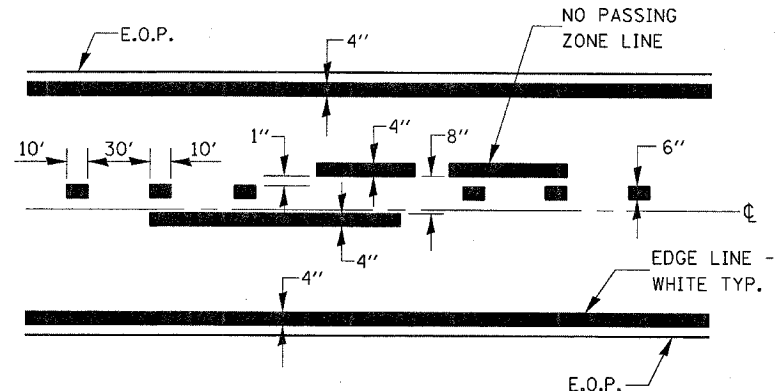


QUANTITY  
12" LINE = 16 LIN. FT.  
OR 4" LINE = 48 LIN. FT.

QUANTITY  
12" LINE = 29 LIN. FT.  
OR 4" LINE = 87 LIN. FT.



**SHORT-TERM PAVEMENT MARKING FOR MEDIANS AND ARROWS**



CENTERLINE & NO PASSING ZONE LINES - YELLOW  
(SEE TYPICAL SECTIONS)

**PAVEMENT MARKING**

FILE NAME =	USER NAME = duncanbd	DESIGNED -	REVISED -
ca:\projects\ed02404\consult\cadd drawings\shdtdet01.dgn		DRAWN - MAP	REVISED -
		CHECKED - RRM	REVISED - BDD 01/28/08
		DATE - 02/26/04	REVISED -

STATE OF ILLINOIS  
DEPARTMENT OF TRANSPORTATION

STANDARD DETAILS

SCALE: N.T.S. SHEET NO. OF SHEETS STA. TO STA.

F.A.P. RTE. 326	SECTION	COUNTY FORD	TOTAL SHEETS 22	SHEET NO. 21
CONTRACT NO. 66423				
FED. ROAD DIST. NO. ILLINOIS FED. AID PROJECT				

• (125)RS-5, (126)RS-3 & (127)RS-2