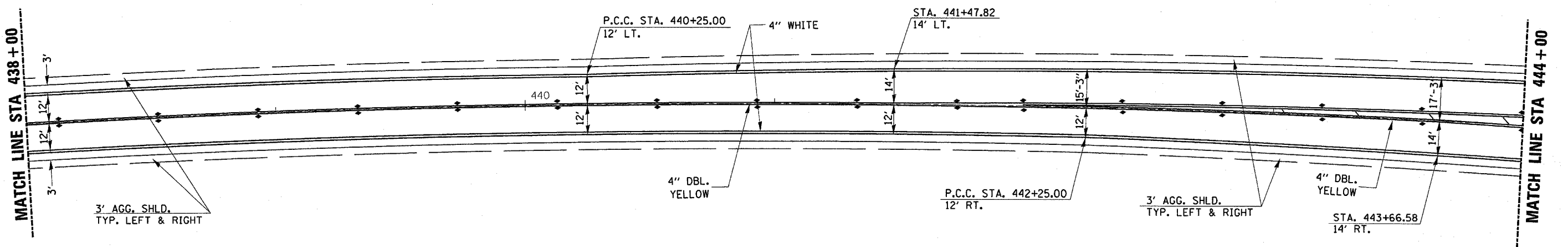
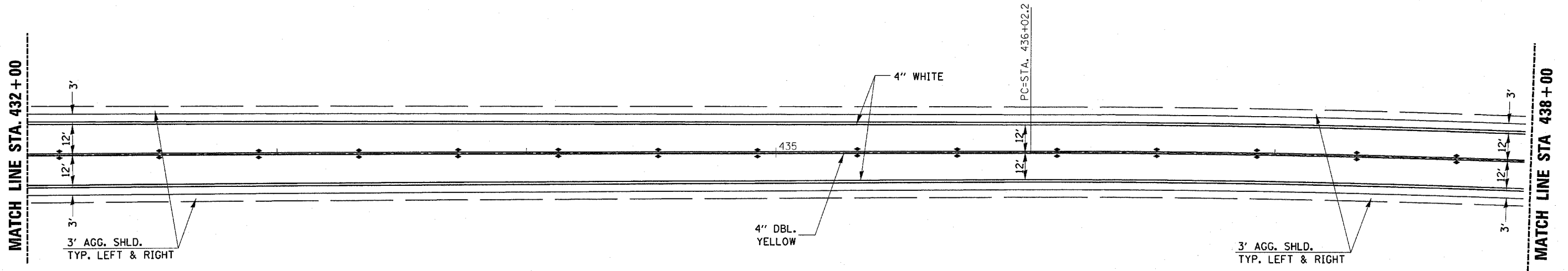


F.A.P. RTE.	SECTION	COUNTY	TOTAL SHEETS	SHEET NO.
46	12,2-1RS-2	LASALLE	19	12
STA.	TO STA.			
FED. ROAD DIST. NO.	ILLINOIS	FED. AID PROJECT		



Mar 31, 2008 - 04:51:23 PM  
c:\p\proj\66531\66531.dgn