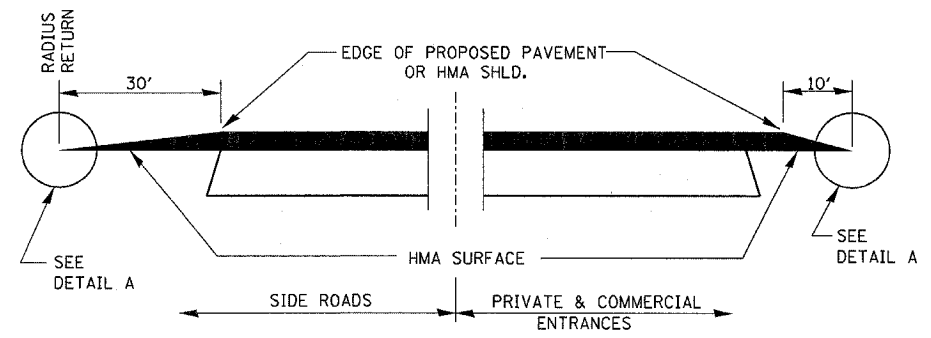
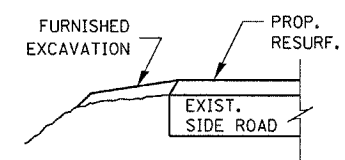


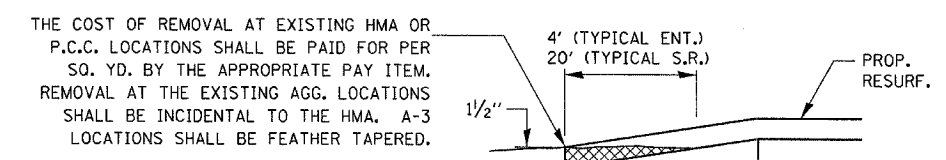
SECTION A-A
RURAL MAILBOX TURNOUT DETAILS



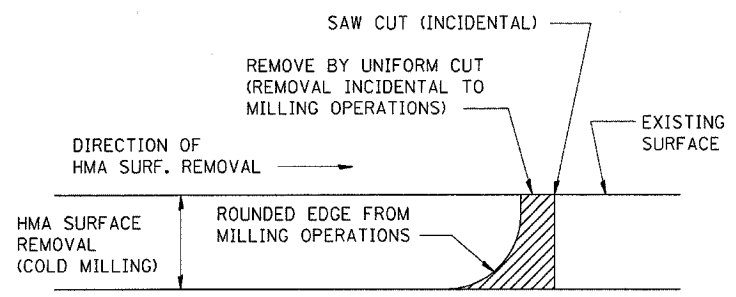
SECTION A-A
DETAILS AT ENTRANCES & SIDE ROADS



SECTION B-B

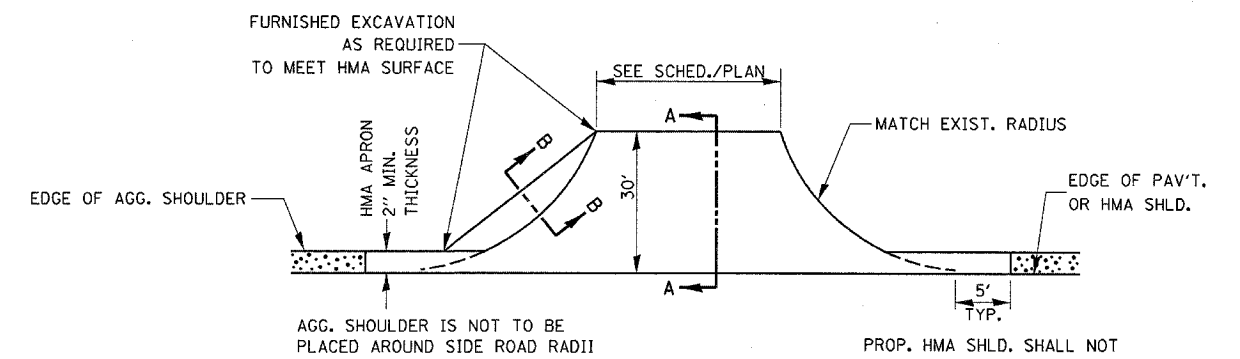


DETAIL A

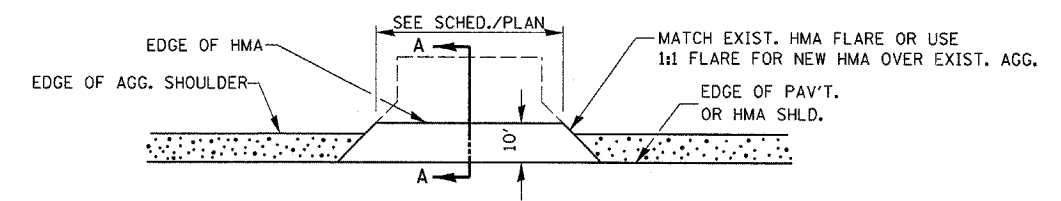


NOTE: WHEN MILLING OPERATIONS PRODUCE A ROUNDED EDGE, THEN A SAW CUT SHALL BE USED TO MANUFACTURE A PERPENDICULAR EDGE AS SHOWN IN THE DETAIL. THE ENGINEER SHALL BE THE SOLE JUDGE CONCERNING THE USE OF THIS DETAIL

HOT-MIX ASPHALT DETAIL AT BUTT JOINTS



PLAN AT SIDE ROADS



PLAN AT PRIVATE & COMMERCIAL ENTRANCES

(DO NOT RESURFACE FIELD ENTRANCES)

FILE NAME = c:\projects\ed23186\details.dgn	USER NAME = dunoanbd	DESIGNED -	REVISED -
		DRAWN -	REVISED -
		CHECKED -	REVISED -
		DATE -	REVISED -

STATE OF ILLINOIS
DEPARTMENT OF TRANSPORTATION

DETAILS			
SCALE:	SHEET NO.	OF SHEETS	STA. TO STA.

F.A.P. RTE.	SECTION	COUNTY	TOTAL SHEETS	SHEET NO.
567	(7,6)RS-2	DEKALB	52	48
CONTRACT NO. 66633				
ILLINOIS FED. AID PROJECT				