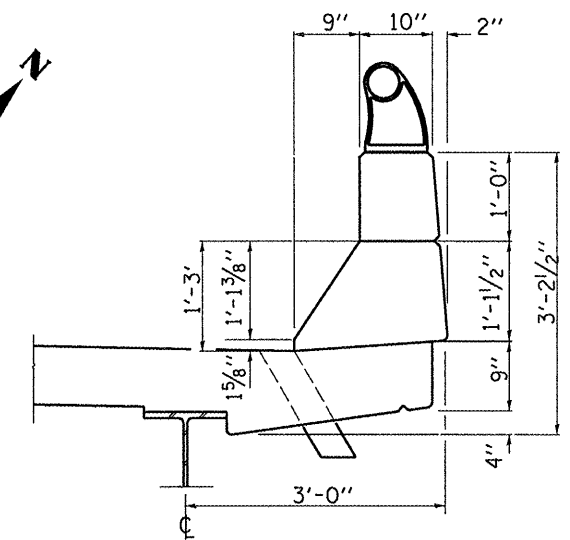
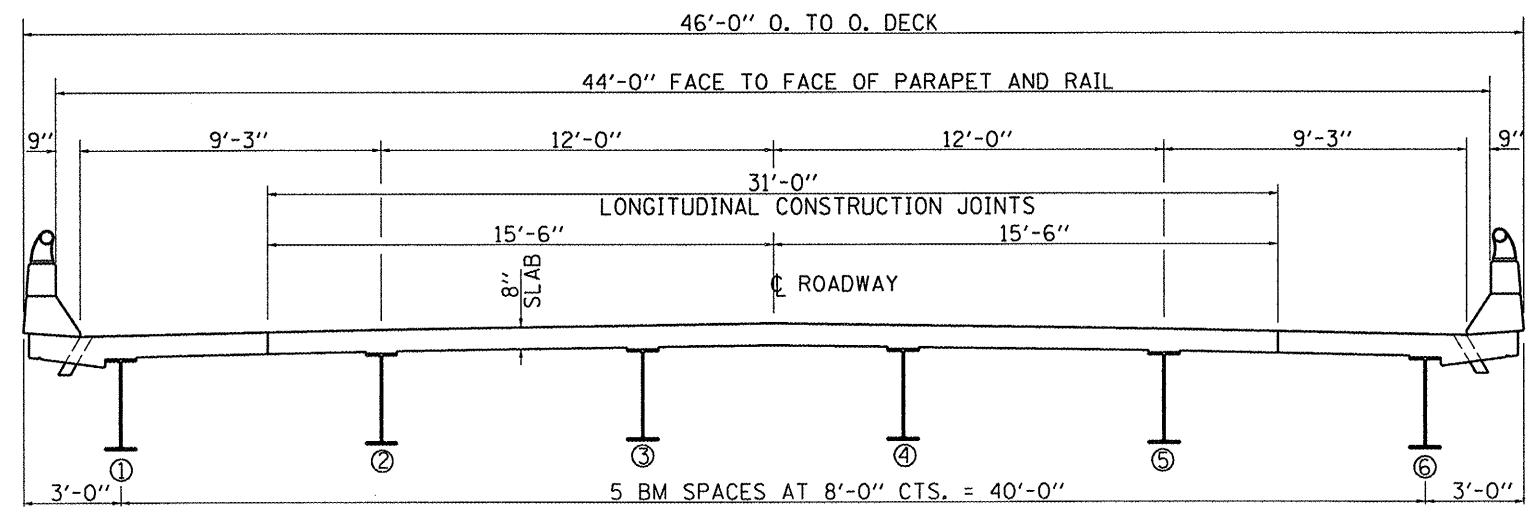


- Ⓐ PLUG EXISTING DECK DRAIN
- Ⓑ FLOOR DRAIN EXTENSIONS

PLAN

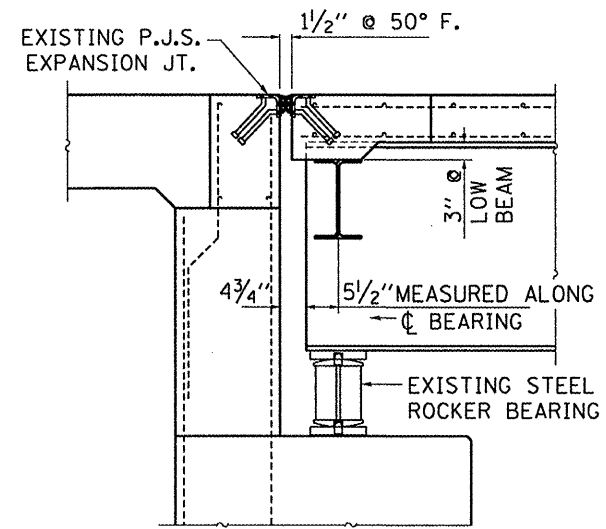


EXISTING CURB SECTION

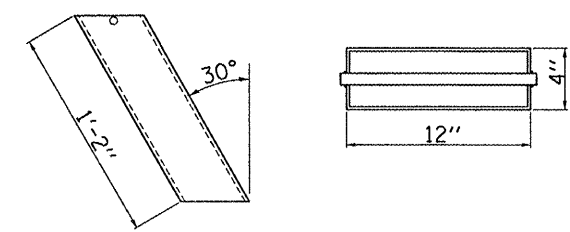


EXISTING CROSS SECTION

LOOKING NORTH



EXISTING SECTION AT ABUT.



FLOOR DRAIN

FILE NAME = c:\projects\main\09\cm305\details.dgn	USER NAME = woodshankr1	DESIGNED - RON WOODSHANK	REVISED - 03/21/2008
		DRAWN - RON WOODSHANK	REVISED - 03/21/2008
		CHECKED -	REVISED -
		DATE -	REVISED -

STATE OF ILLINOIS
DEPARTMENT OF TRANSPORTATION

SUPERSTRUCTURE DETAILS
SCALE: SHEET NO. 1 OF 1 SHEETS STA. 571+00.67 TO STA. 573+01.17

F.A.P. RTE. 846	SECTION 66B-111	COUNTY GRUNDY	TOTAL SHEETS 29	SHEET NO. 16
CONTRACT NO. 66728				FED. ROAD DIST. NO. - ILLINOIS FED. AID PROJECT